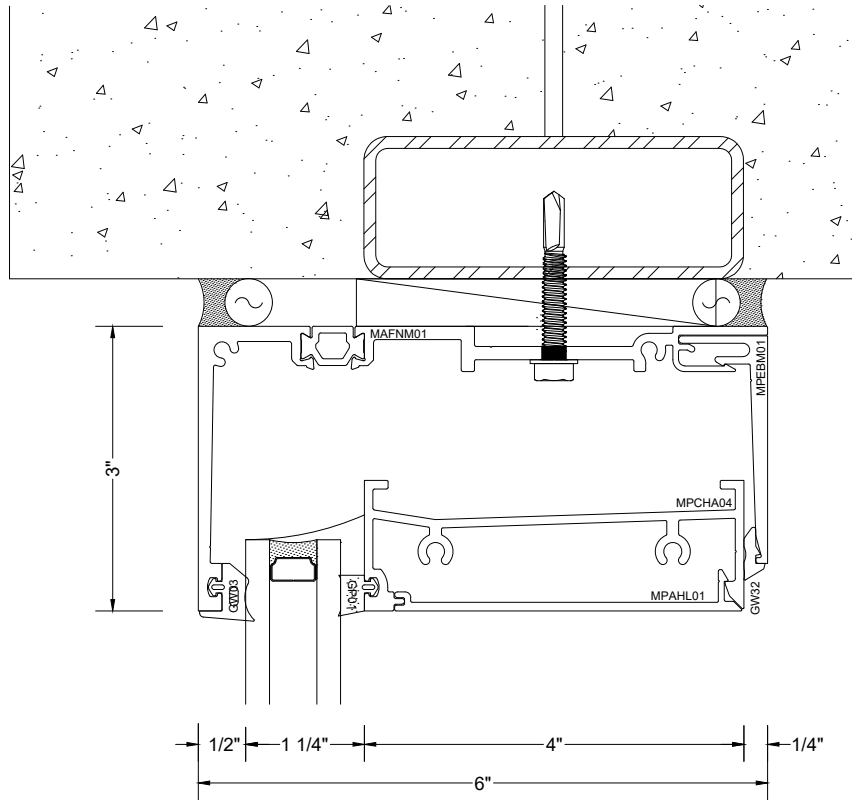


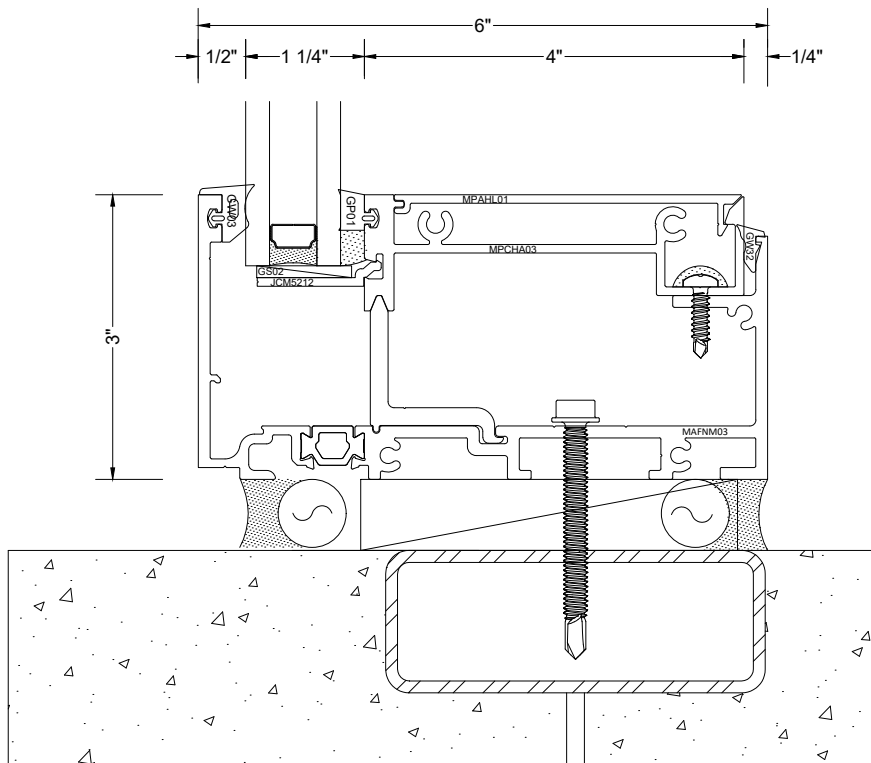
## SECTION CONTENTS

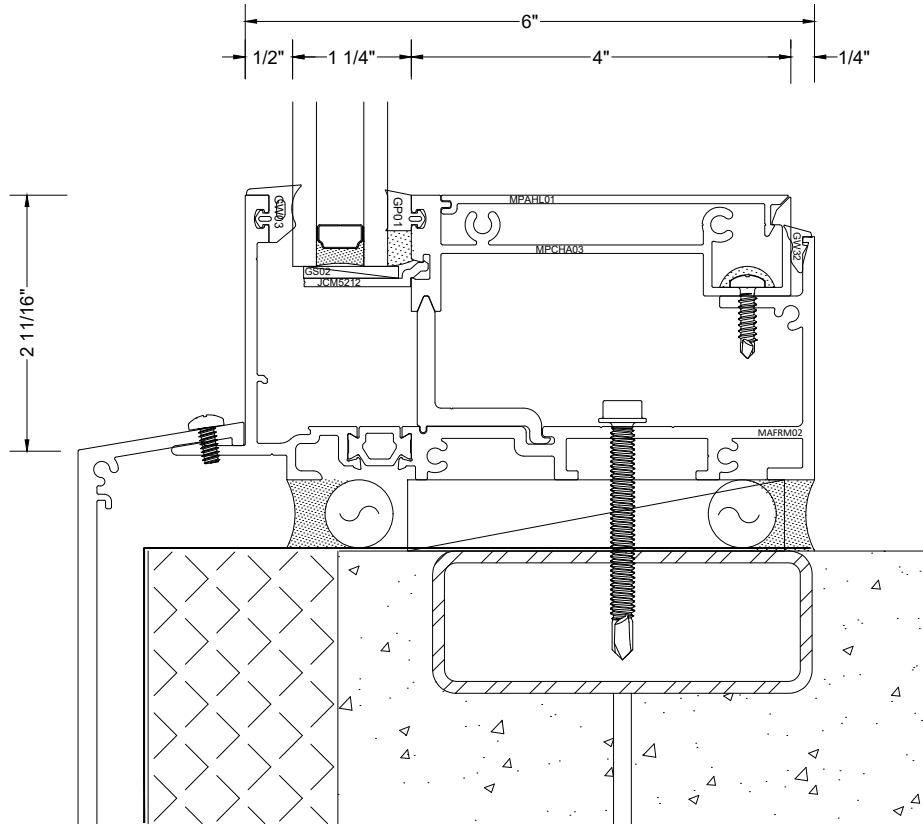
<u>DETAIL</u>	<u>PAGES</u>
<b>Heads</b> _____	<b>3-4</b>
<b>Sills</b> _____	<b>3-4</b>
<b>Horizontal</b> _____	<b>5</b>
<b>Jamb</b> _____	<b>5</b>
<b>Vertical Stack</b> _____	<b>5</b>
<b>Corners</b> _____	<b>6-7</b>
<b>Insert Vents</b> _____	<b>8-9</b>
<b>Terrace Doors</b> _____	<b>10-11</b>
<b>Shadow box and backpan</b> _____	<b>12</b>
<b>Metal panel</b> _____	<b>13</b>
<b>Reinforcement and sunshade blade</b> _____	<b>14</b>

**1 HEAD**

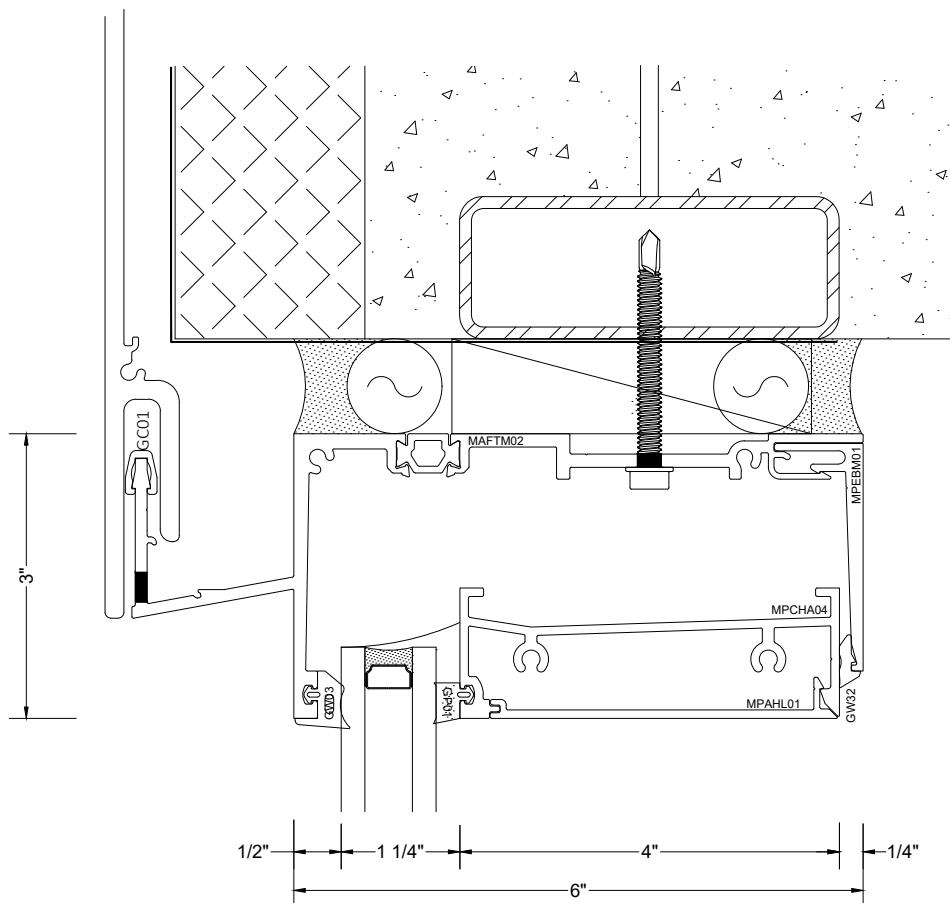


**2 SILL**



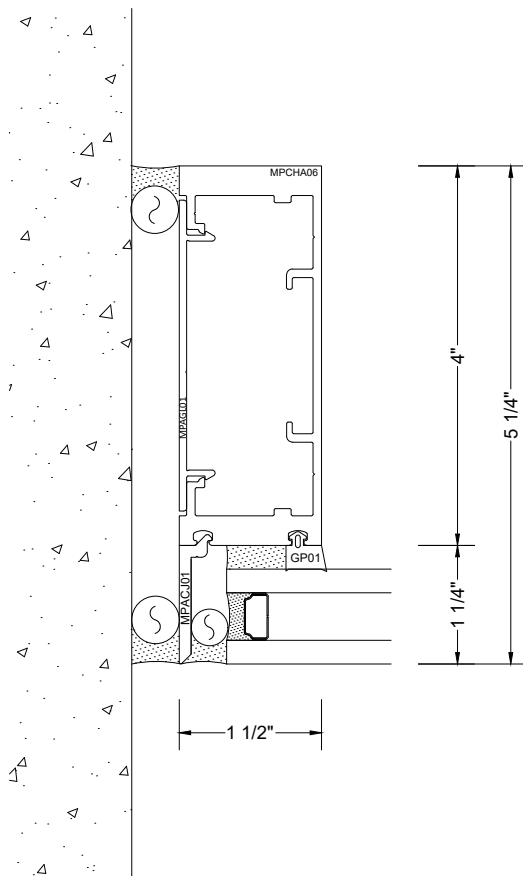
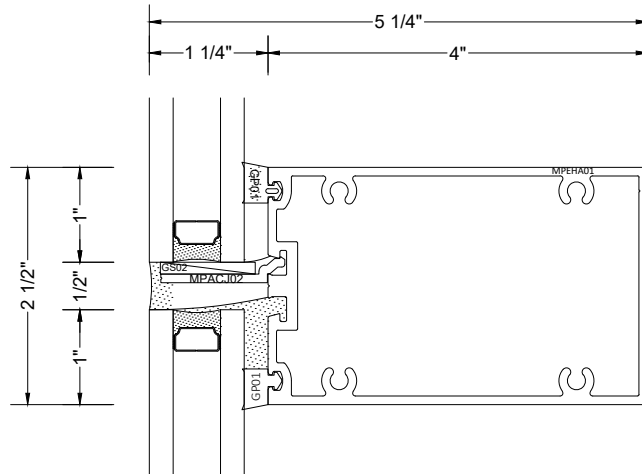


**3** SILL  
 SLAB COVER

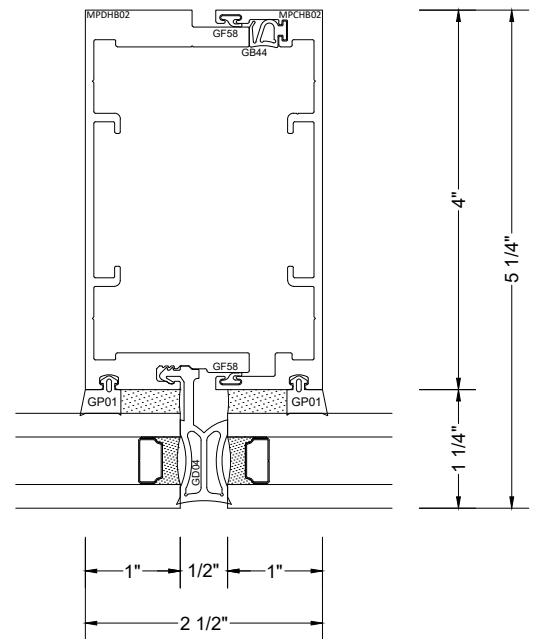


**4** HEAD  
 SLAB COVER

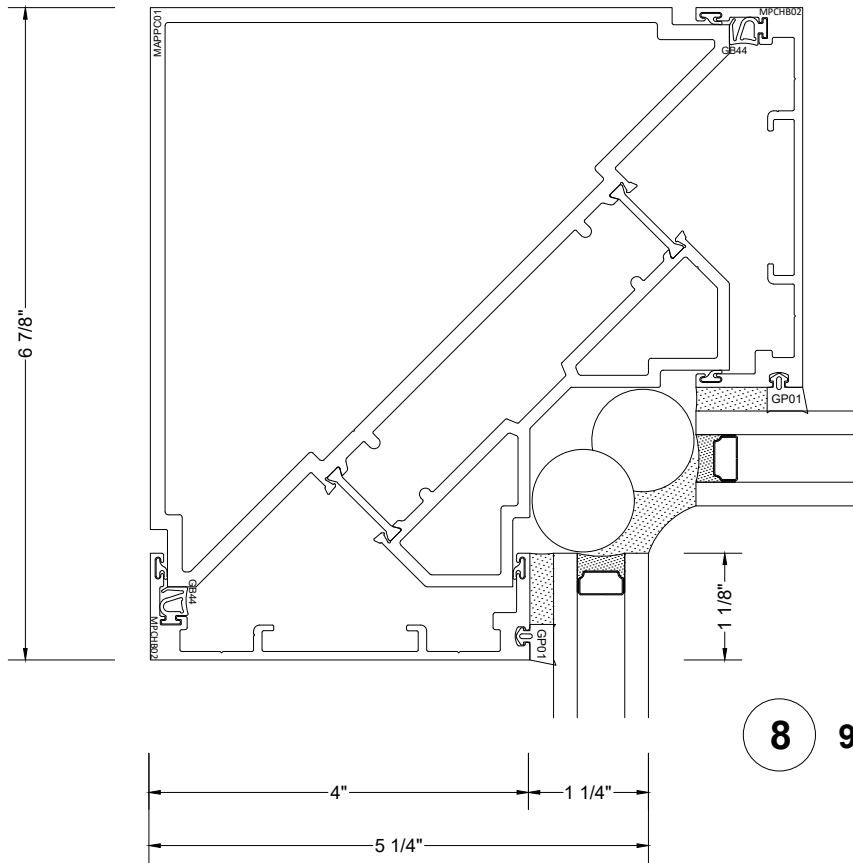
**5 HORIZONTAL**



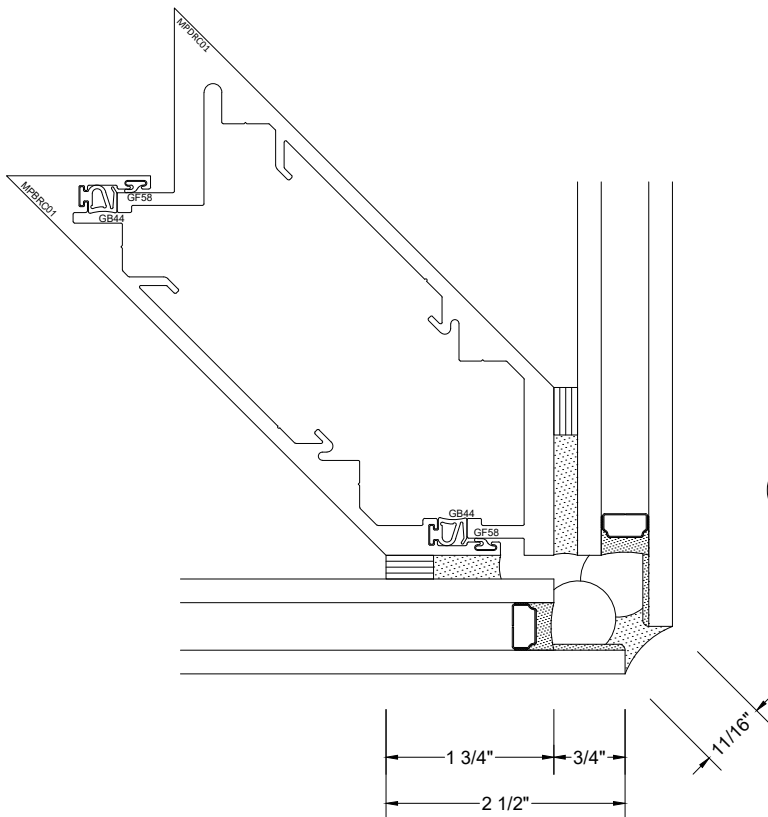
**6 JAMB**



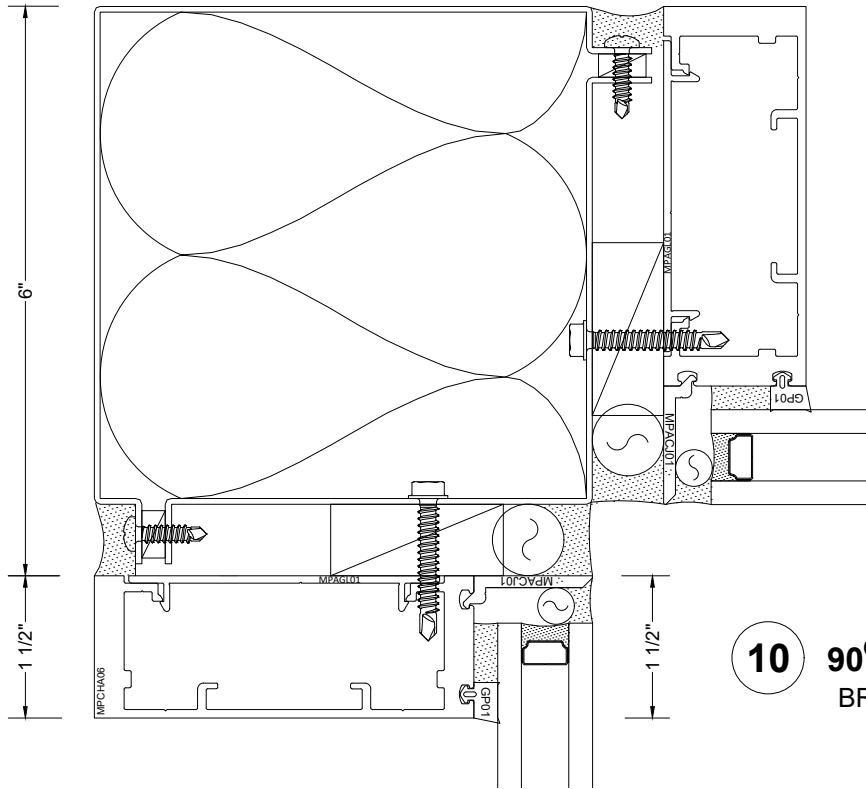
**7 VERTICAL**



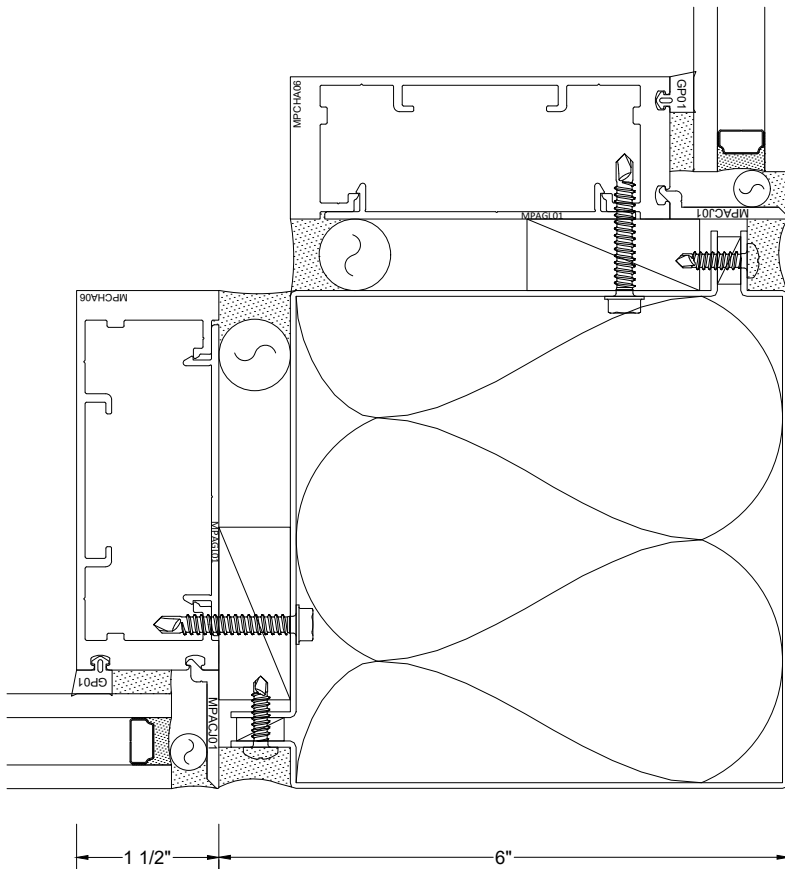
**8** 90° INSIDE CORNER



**9** 90° OUTSIDE CORNER

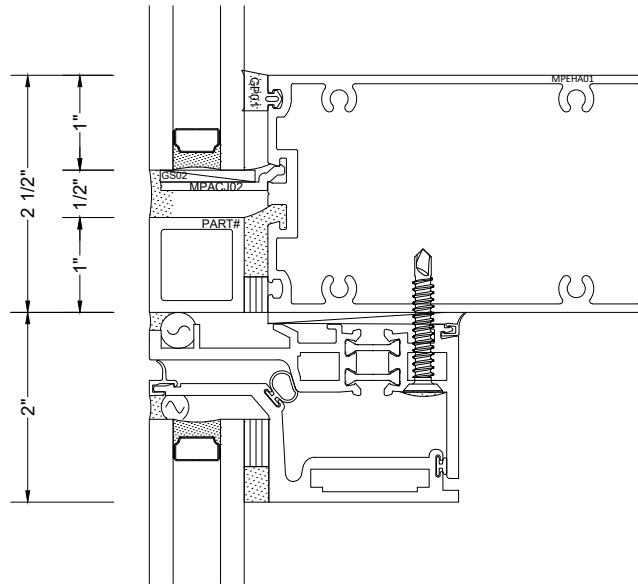


**10** 90° INSIDE CORNER  
 BRAKE METAL

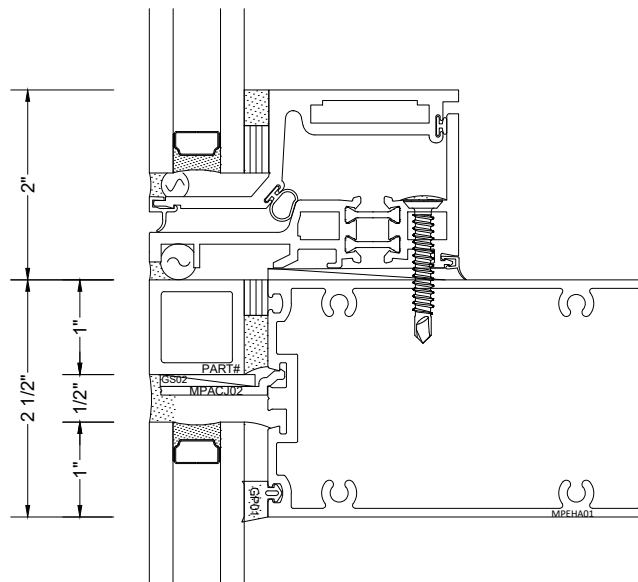


**11** 90° OUTSIDE CORNER  
 BRAKE METAL

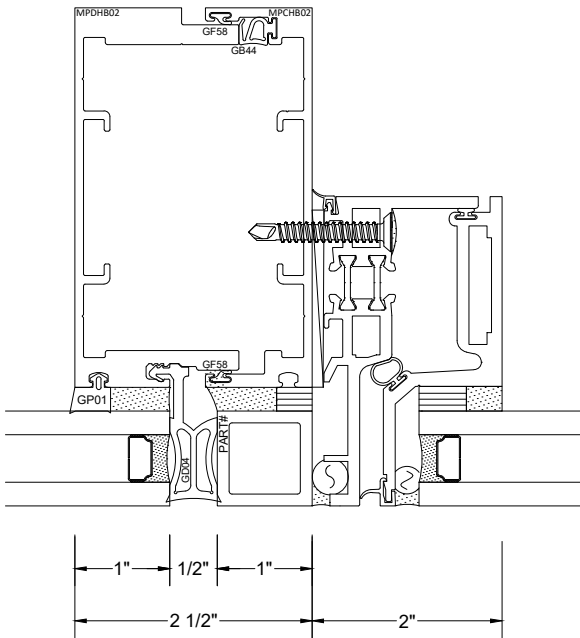
**12 HEAD**  
 ZERO SITE LINE  
 INSERT VENT



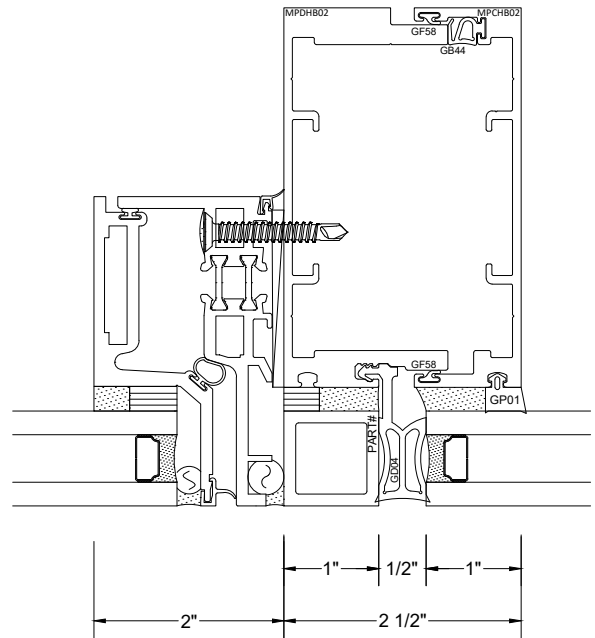
**13 SILL**  
 ZERO SITE LINE  
 INSERT VENT





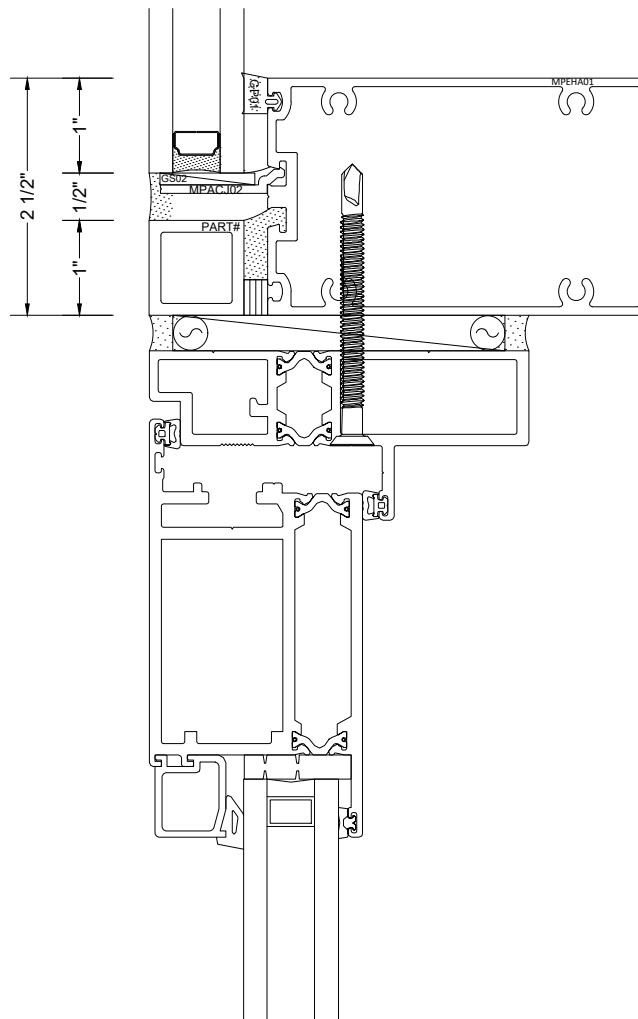


**14** **JAMB**  
 ZERO SITE LINE  
 INSERT VENT



**15** **JAMB**  
 ZERO SITE LINE  
 INSERT VENT

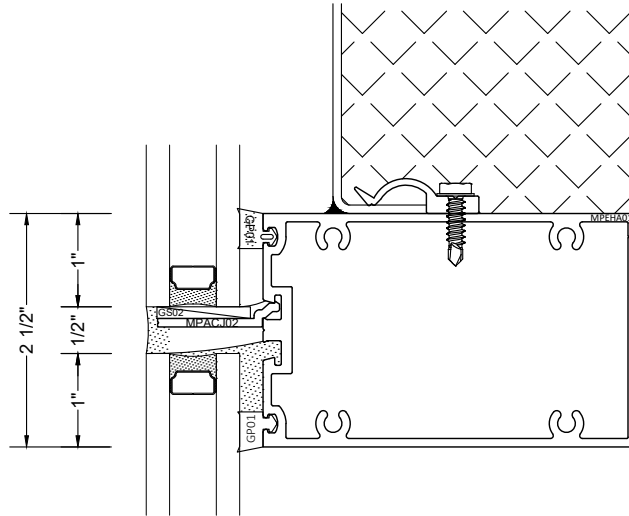
**16** HEAD  
 TERRACE DOOR





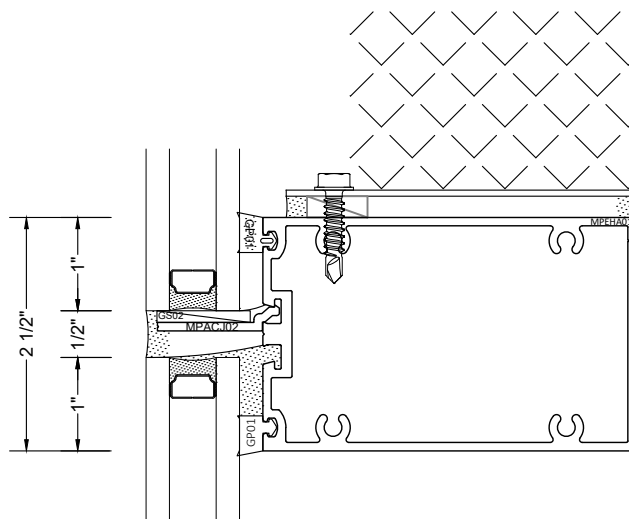
**SHADOW BOX  
 AND INSULATION**

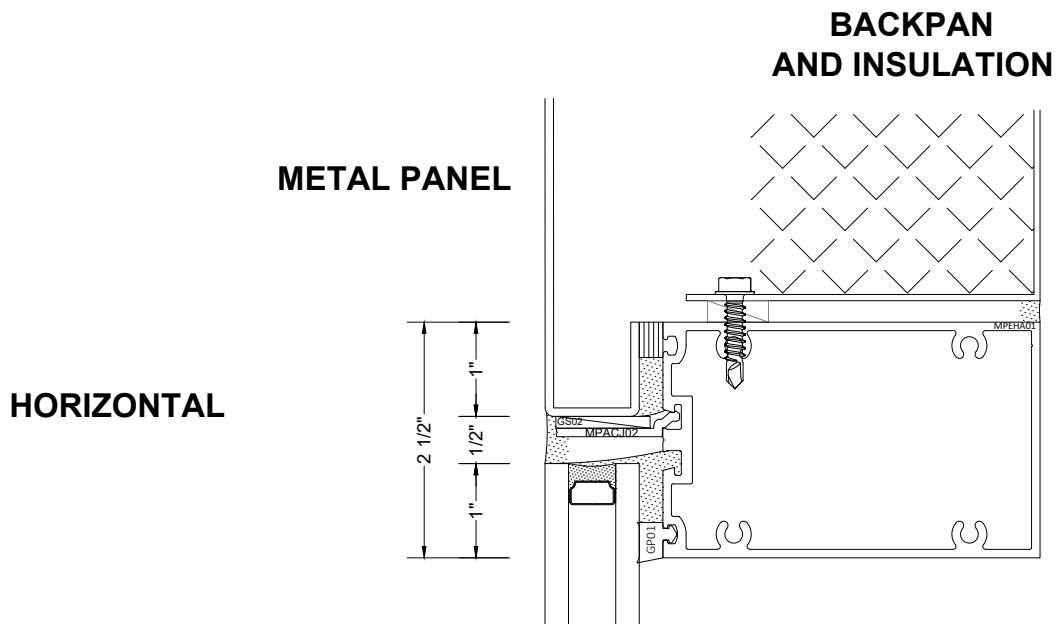
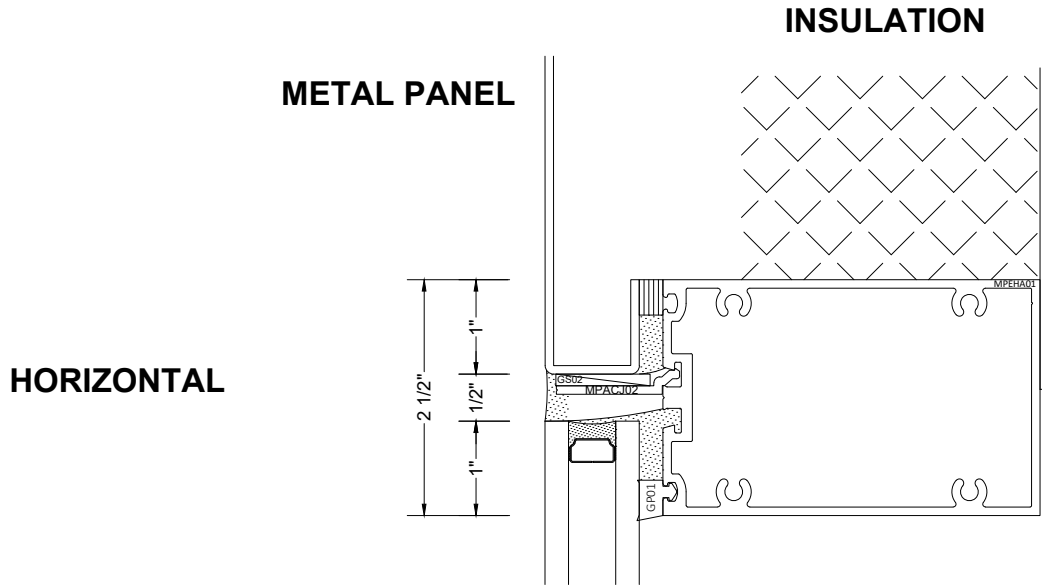
**HORIZONTAL**



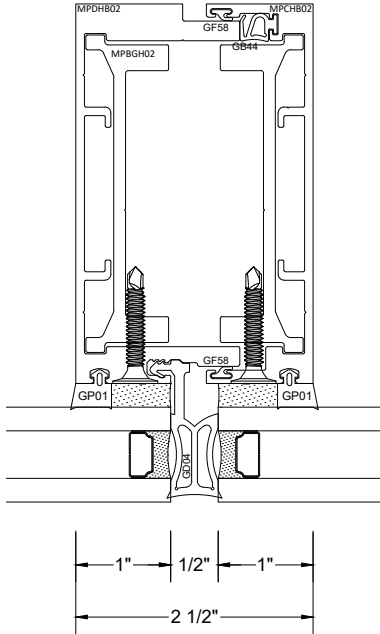
**BACKPAN  
 AND INSULATION**

**HORIZONTAL**





**INTERNAL REINFORCMENT**



**SUNSHADE ATTACHMENT**

