





---

ndow Wal

---

---

# Details

---





## SECTION CONTENTS

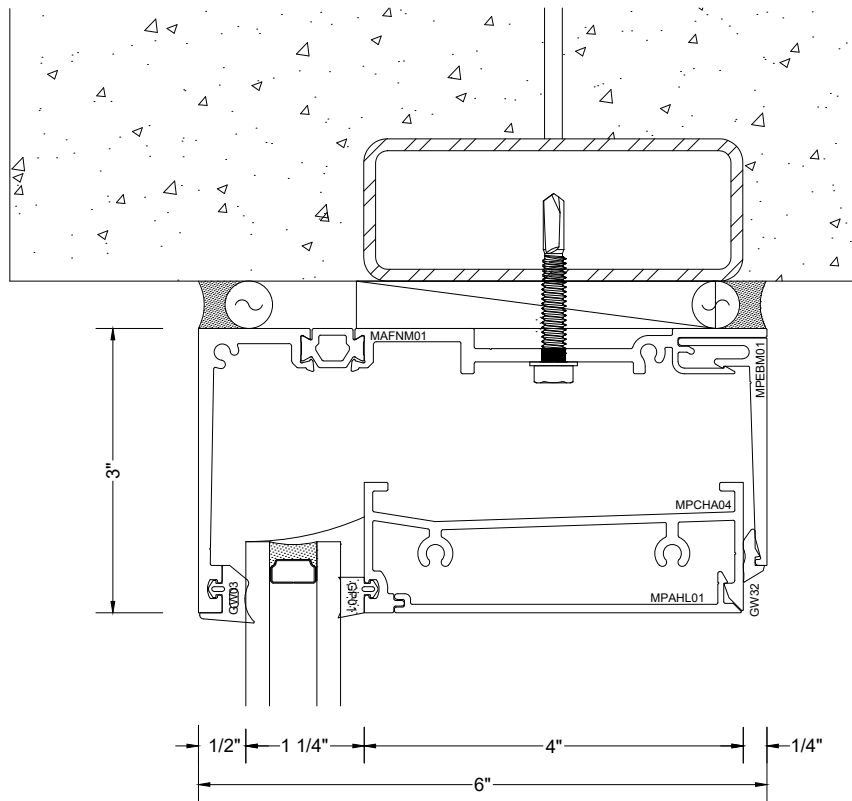
<u>DETAIL</u>	<u>PAGES</u>
Heads _____	3-4
Sills _____	3-4
Horizontal _____	5
Jamb _____	5
Vertical Stack _____	5
Corners _____	6-7
Insert Vents _____	8-9
Terrace Doors _____	10-11
Shadow box and backpan _____	12
Metal panel _____	13
Reinforcement and sunshade blade _____	14



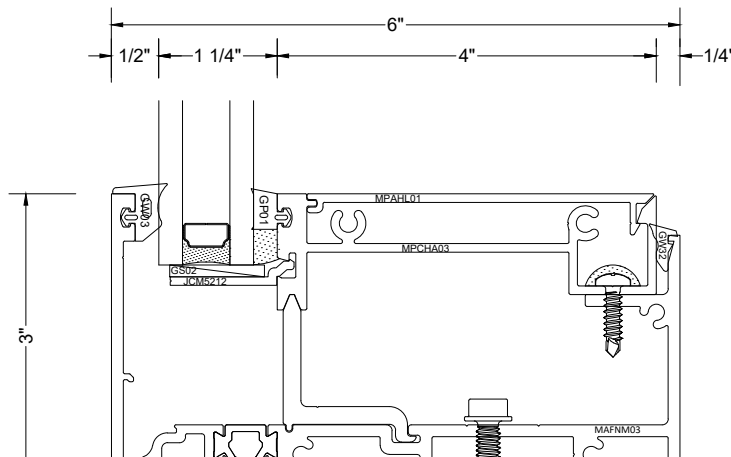


# J2512t Window Wall

## 1 HEAD



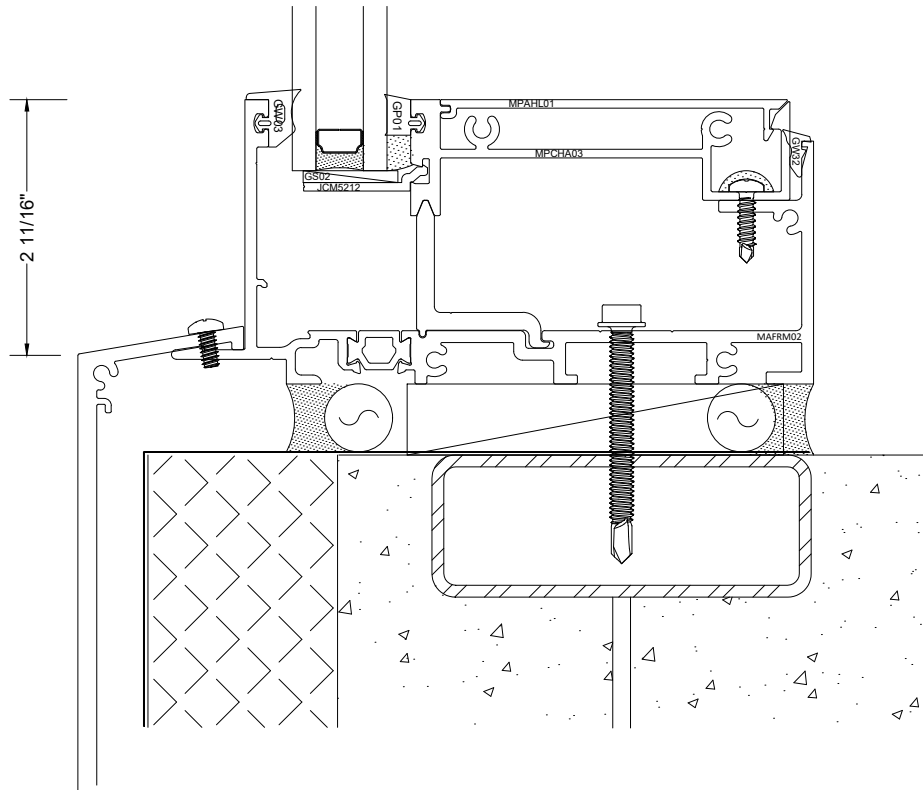
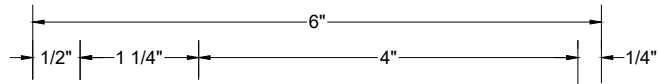
## 2 SILL



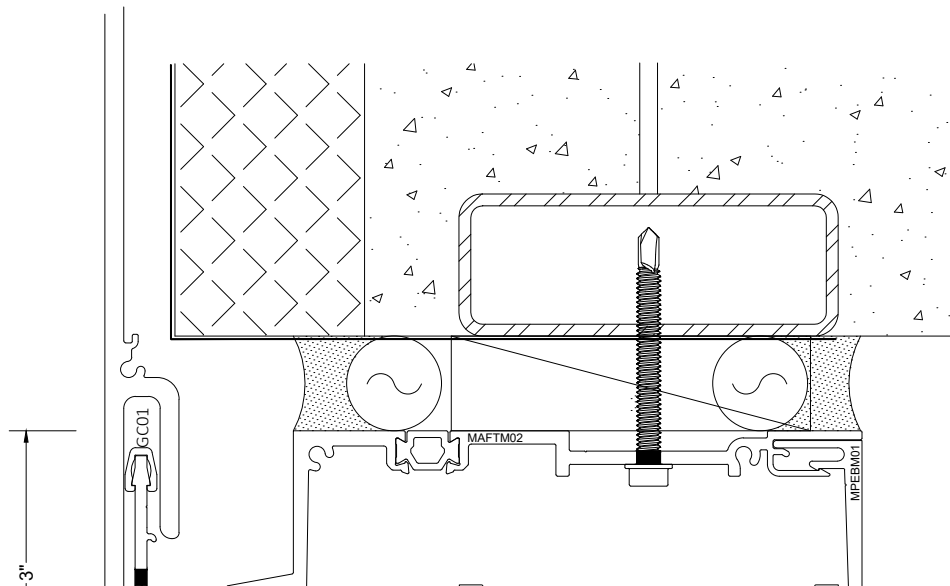




### J2512t Window Wall



**3** SILL  
SLAB COVER

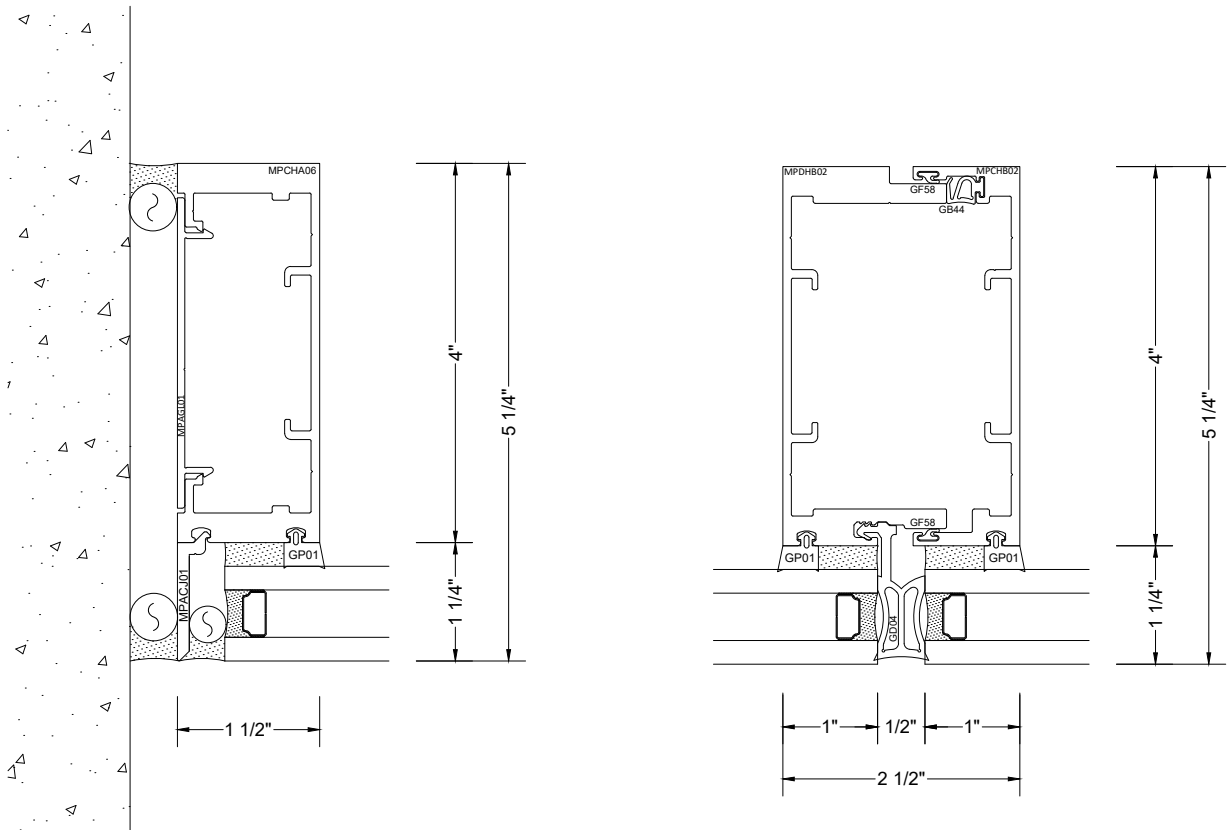
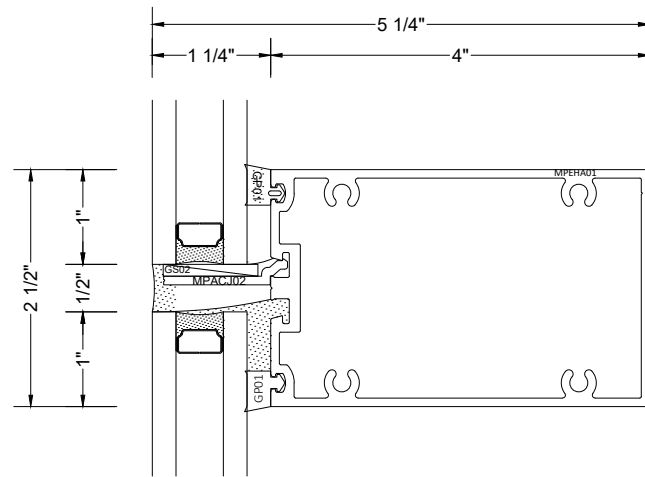


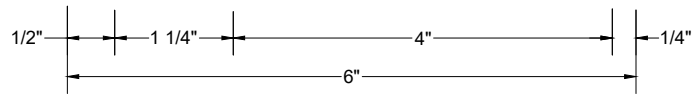
**4** HEAD  
SLAB COVER



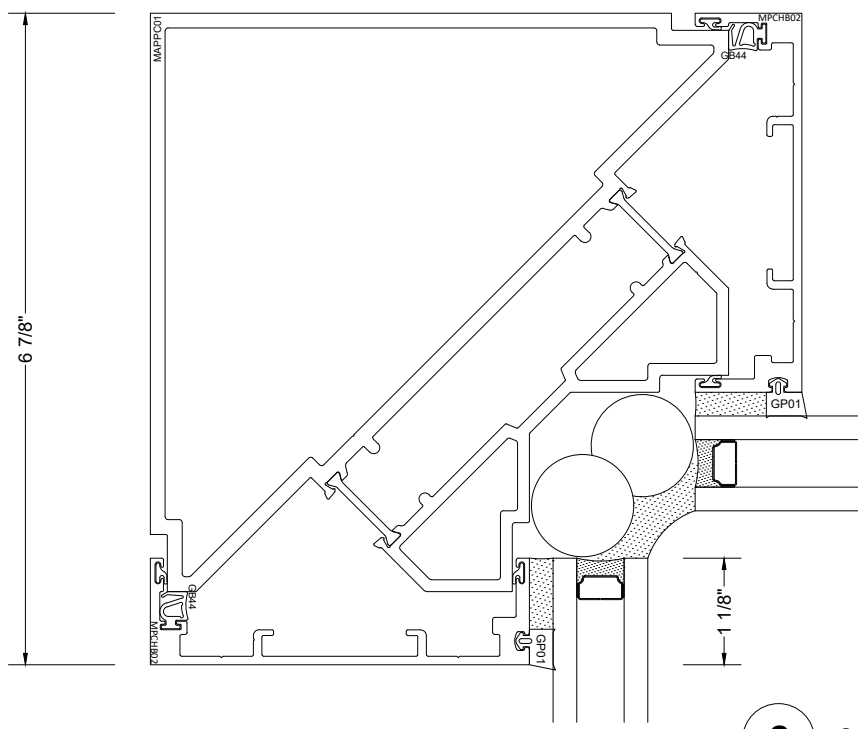
### J2512t Window Wall

## 5 HORIZONTAL

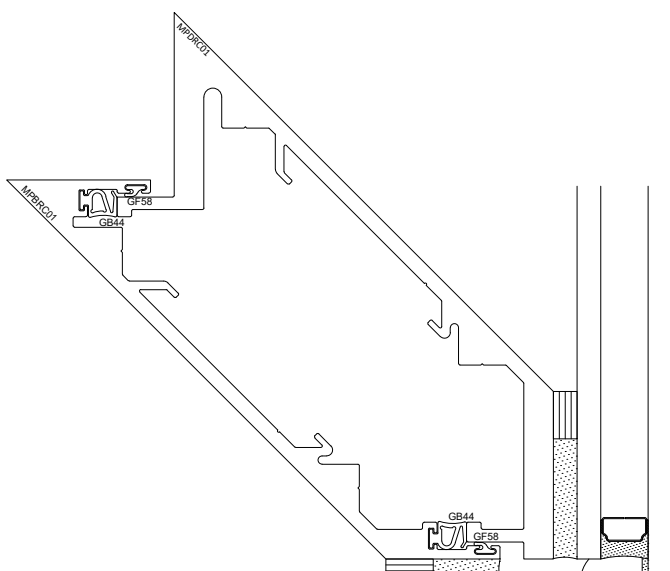
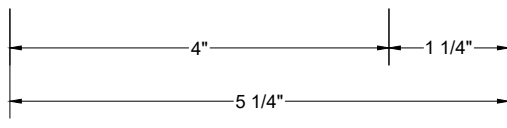




### J2512t Window Wall



**8** 90° INSIDE CORNER

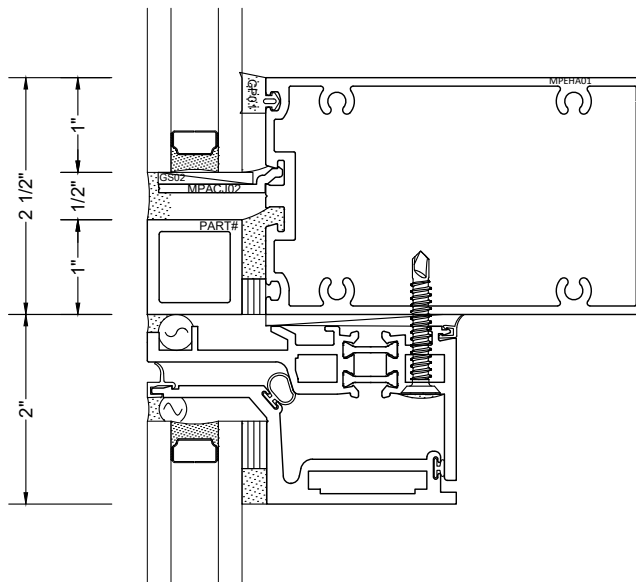


**9** 90° OUTSIDE CORNER

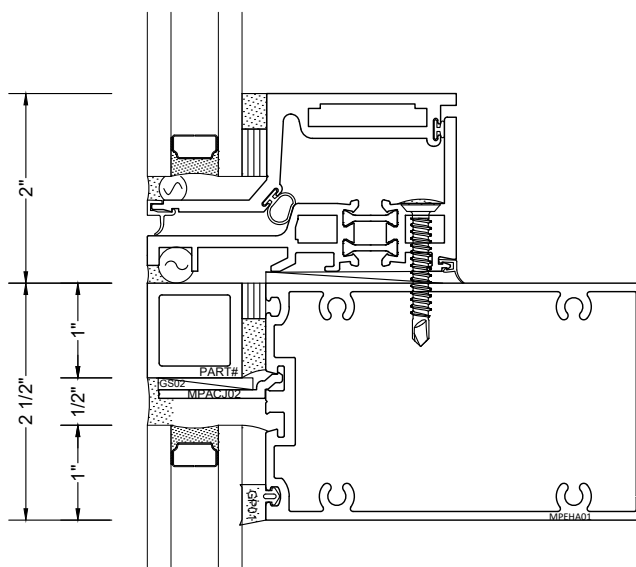


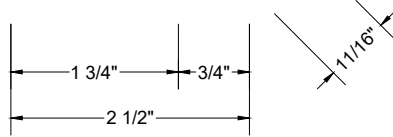
J2512t Window Wall

**12 HEAD**  
ZERO SITE LINE  
INSERT VENT

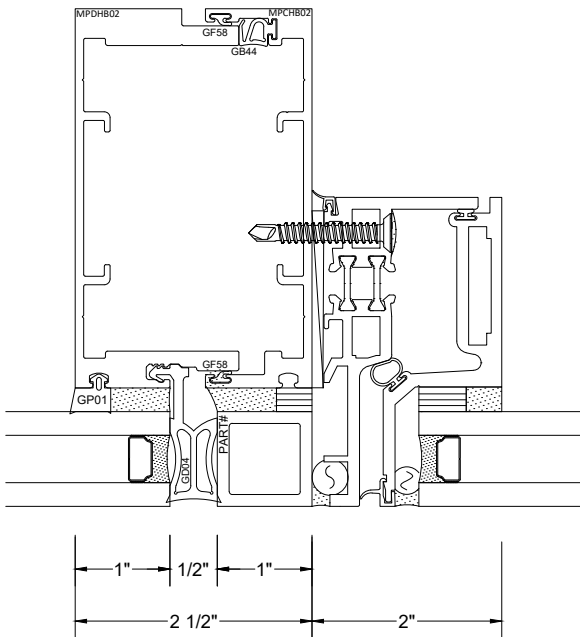


**13 SILL**  
ZERO SITE LINE  
INSERT VENT





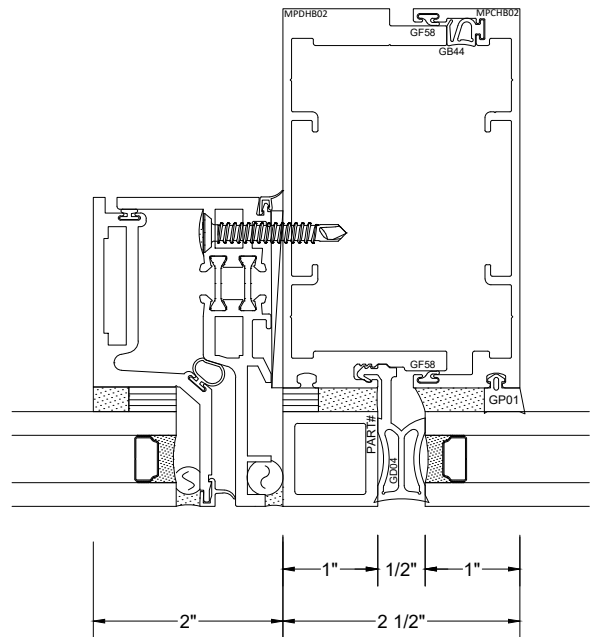
### J2512t Window Wall



14

#### JAMB

ZERO SITE LINE  
INSERT VENT



15

#### JAMB

ZERO SITE LINE  
INSERT VENT



J2512t Window Wall

**16** HEAD  
TERRACE DOOR

