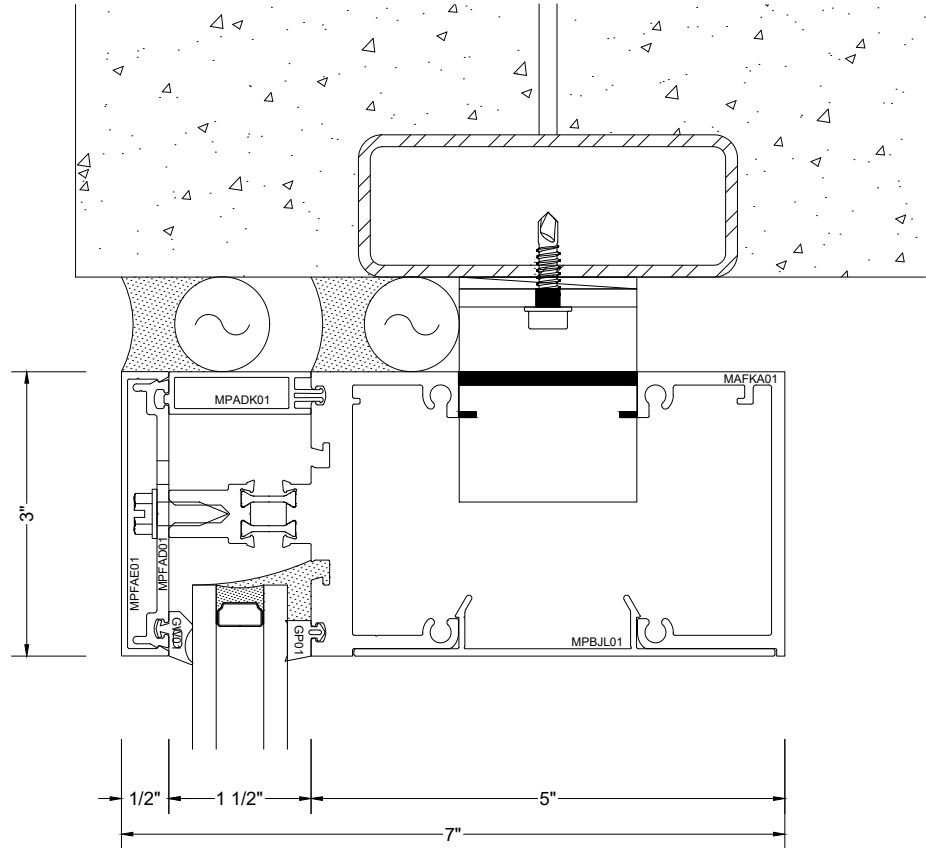


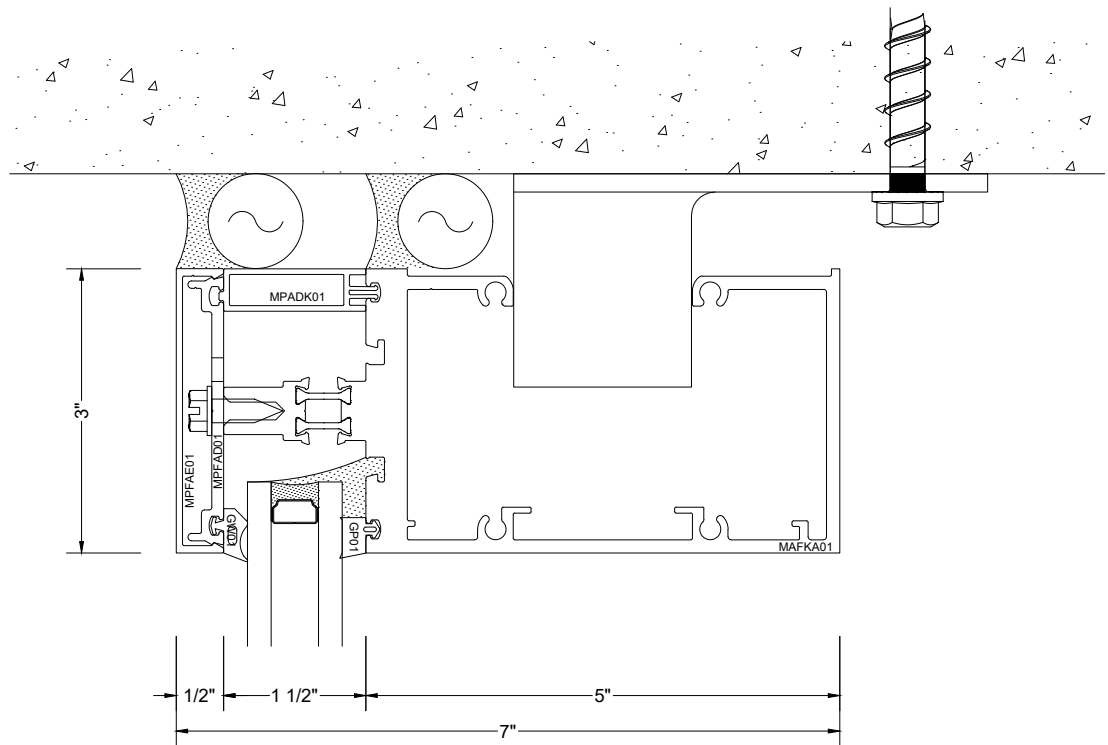
## SECTION CONTENTS

<u>DETAIL</u>	<u>PAGES</u>
<b>Heads</b> _____	<b>3-4</b>
<b>Sills</b> _____	<b>5-8</b>
<b>Horizontals</b> _____	<b>9-10</b>
<b>Unit Stacks</b> _____	<b>11-12</b>
<b>Jambs</b> _____	<b>13</b>
<b>Vertical Stacks</b> _____	<b>14</b>
<b>Corners</b> _____	<b>15-17</b>
<b>Insert Vents</b> _____	<b>18-20</b>
<b>Captured Unit Stack Anchors at Slab</b> _____	<b>21-28</b>
<b>SSG Unit Stack Anchors at Slab</b> _____	<b>29-36</b>
<b>Shadow box and backpan</b> _____	<b>37-38</b>
<b>Metal panel</b> _____	<b>39-40</b>
<b>Cover options</b> _____	<b>41</b>
<b>Stool trim</b> _____	<b>42</b>
<b>Reinforcement and sunshade blade</b> _____	<b>43</b>
<b>Entrance Doors (PO)</b> _____	<b>44-50</b>
<b>Entrance Doors (PI)</b> _____	<b>51-57</b>

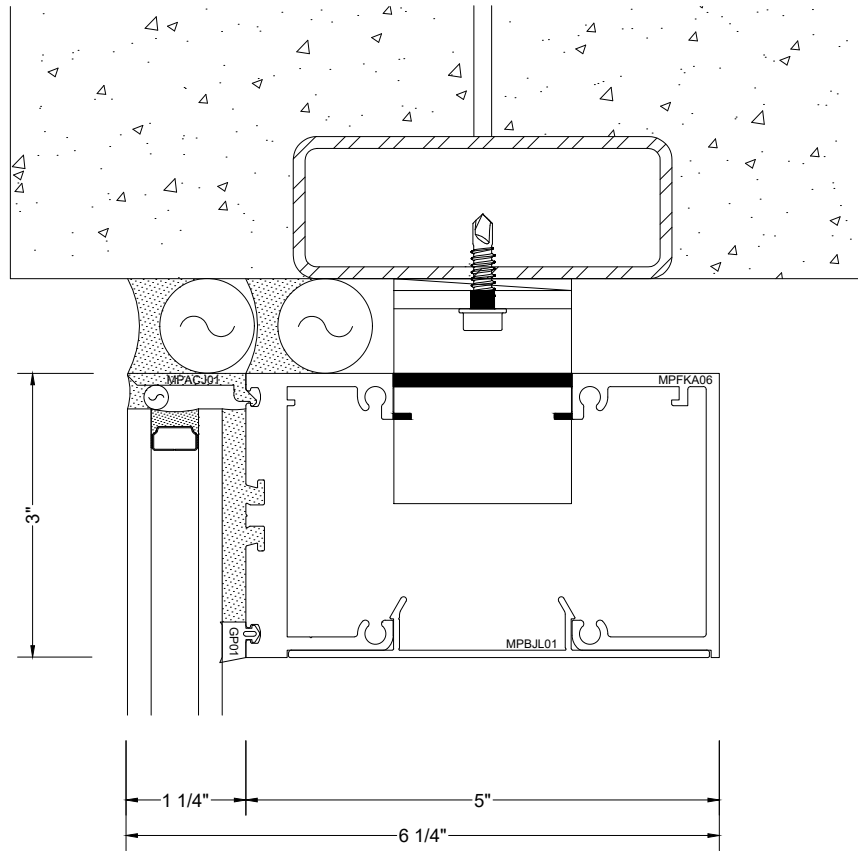
**1 HEAD CAPTURED**  
 OPEN BACK DOWN  
 WITH COVER



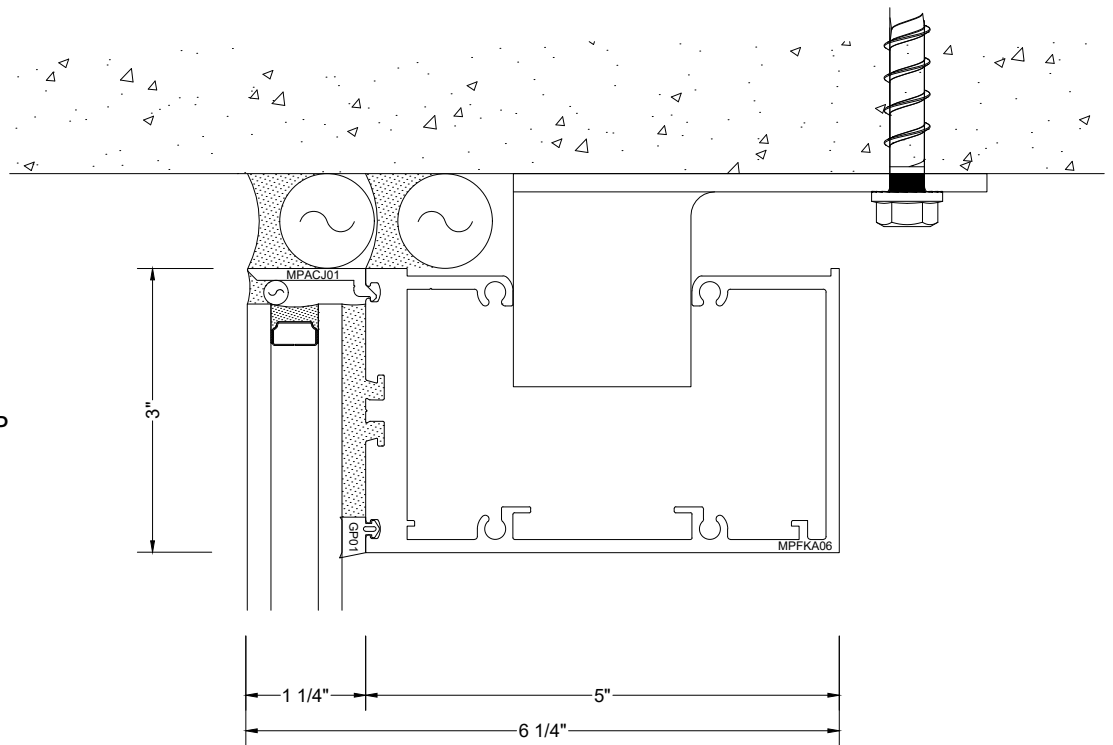
**1A HEAD CAPTURED**  
 OPEN BACK UP



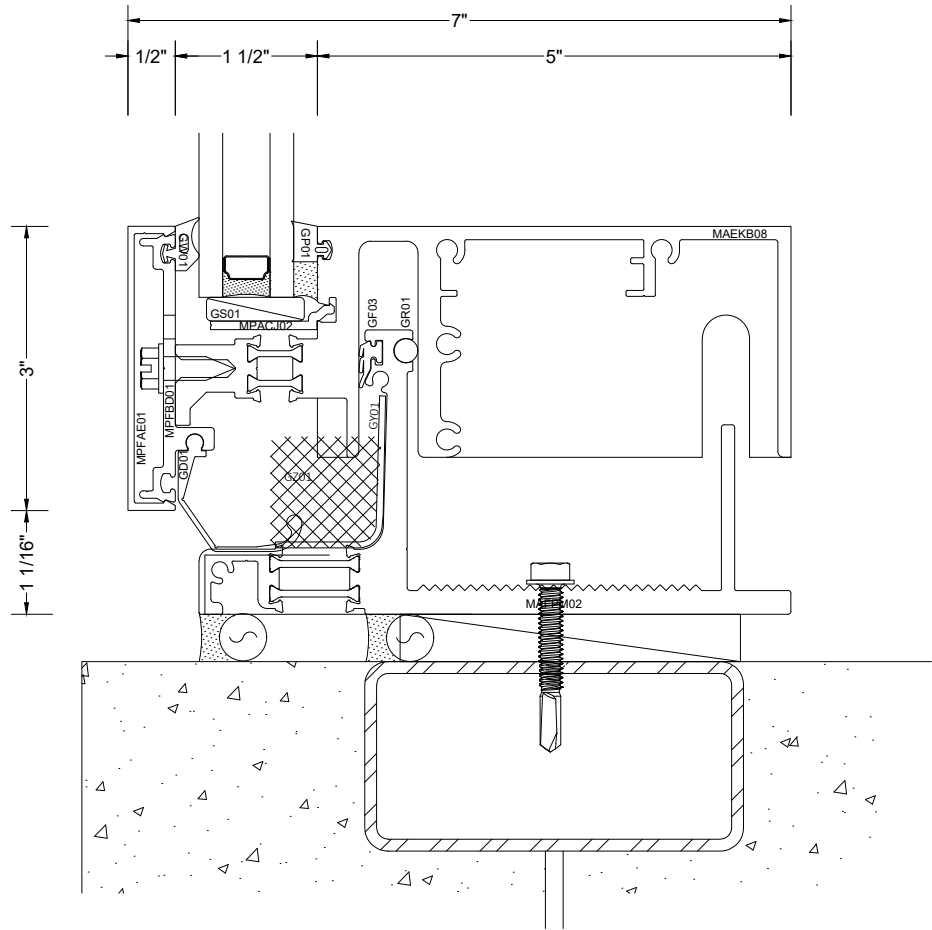
**2** HEAD SSG  
 OPEN BACK DOWN  
 WITH COVER



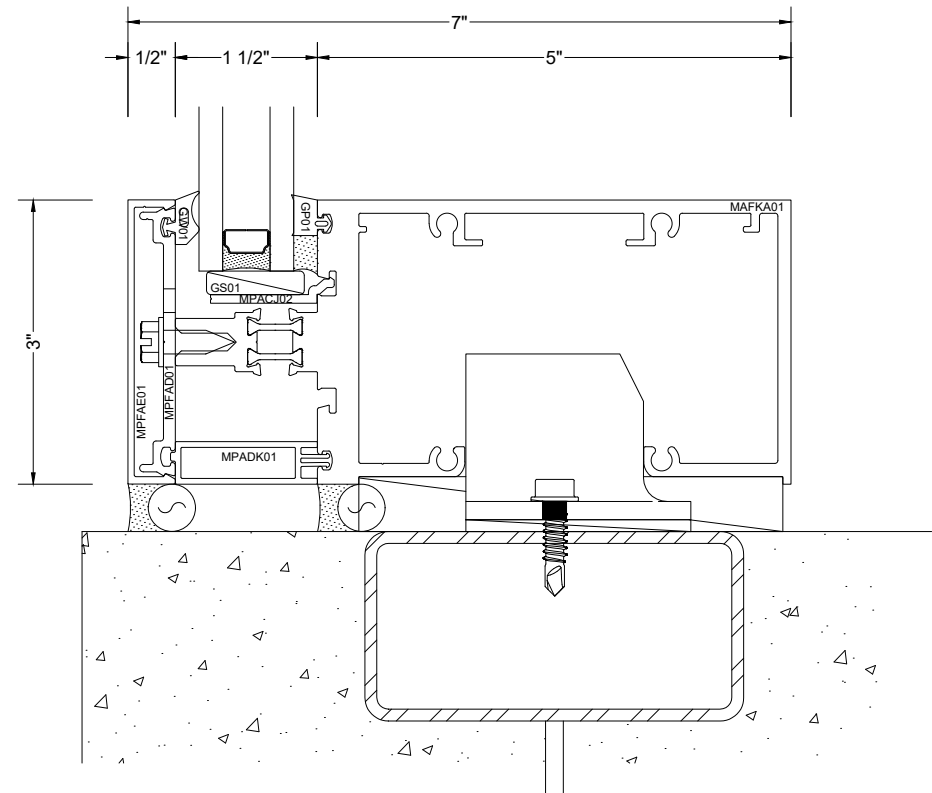
**2A** HEAD SSG  
 OPEN BACK UP



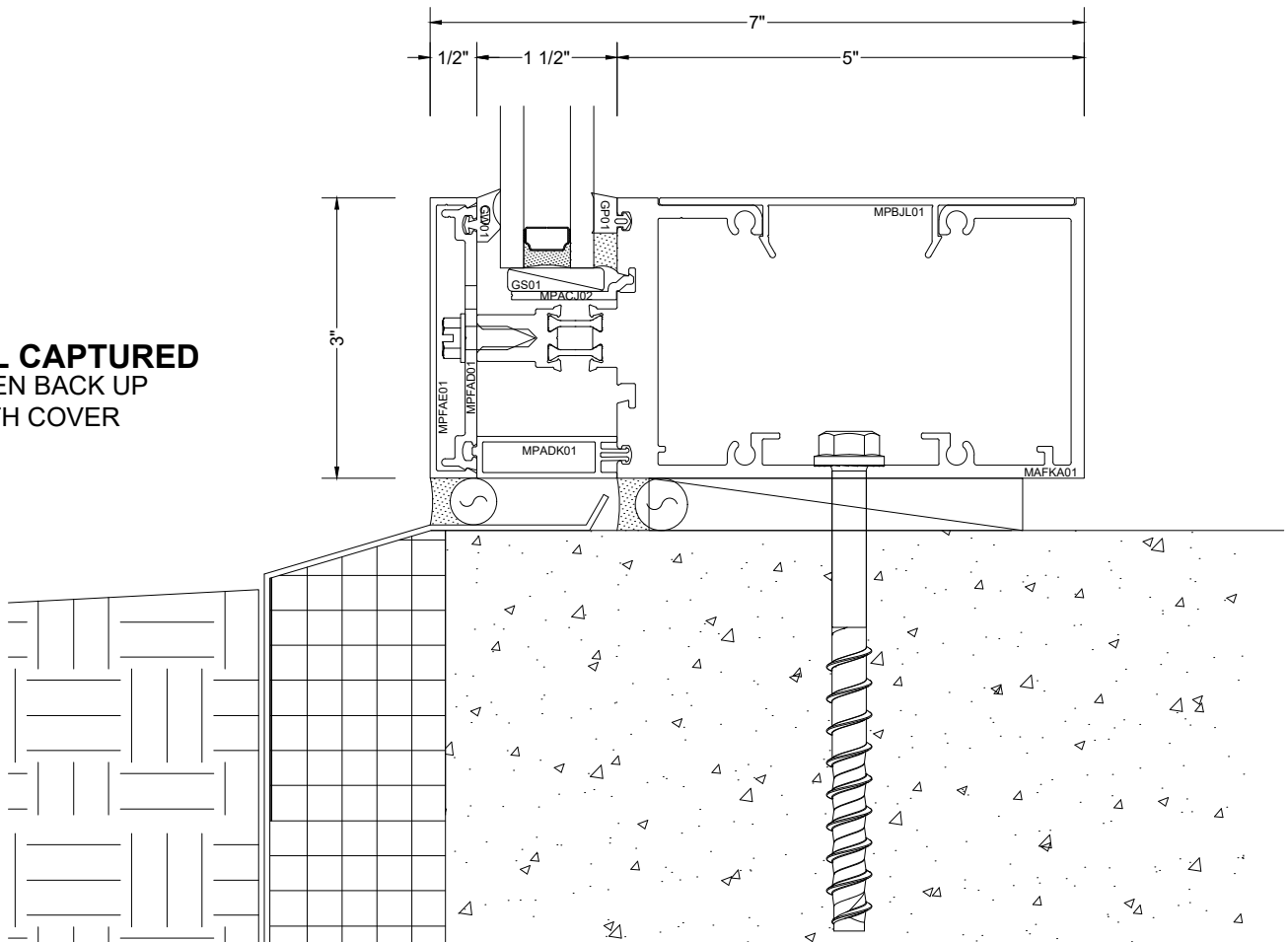
**3 SILL CAPTURED STARTER**



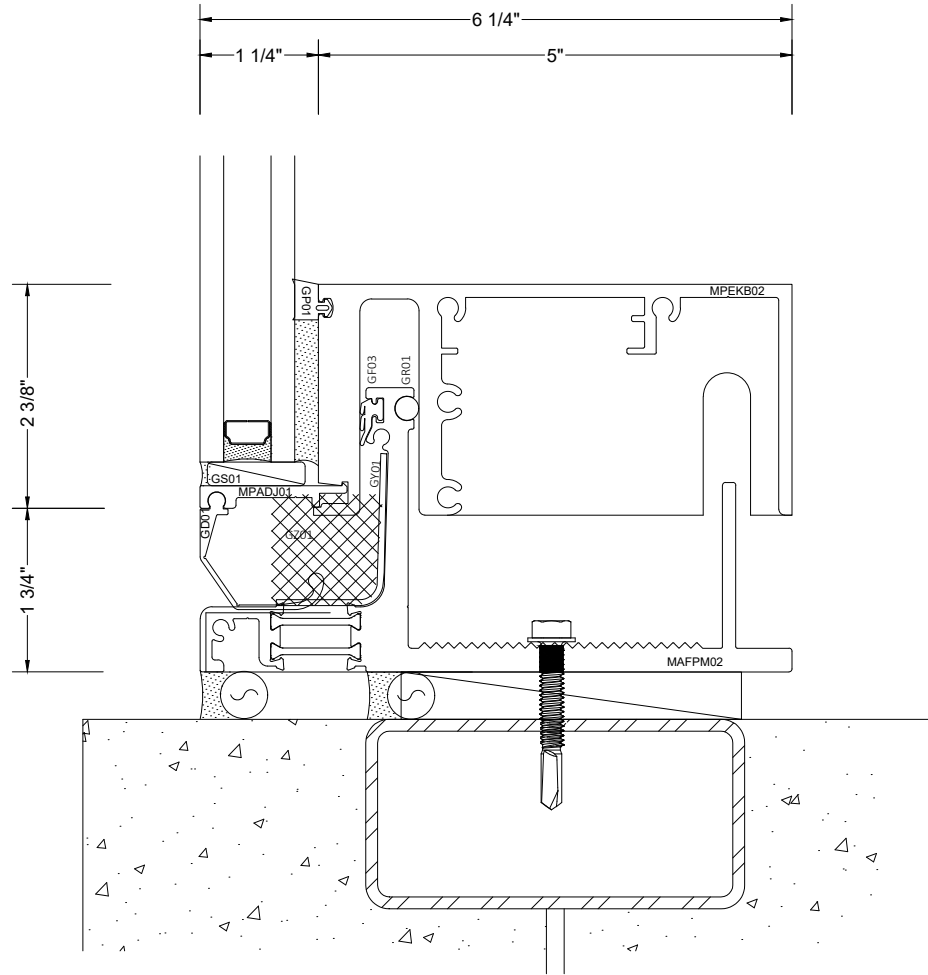
**3A SILL CAPTURED OPEN BACK DOWN WITH CLIP**



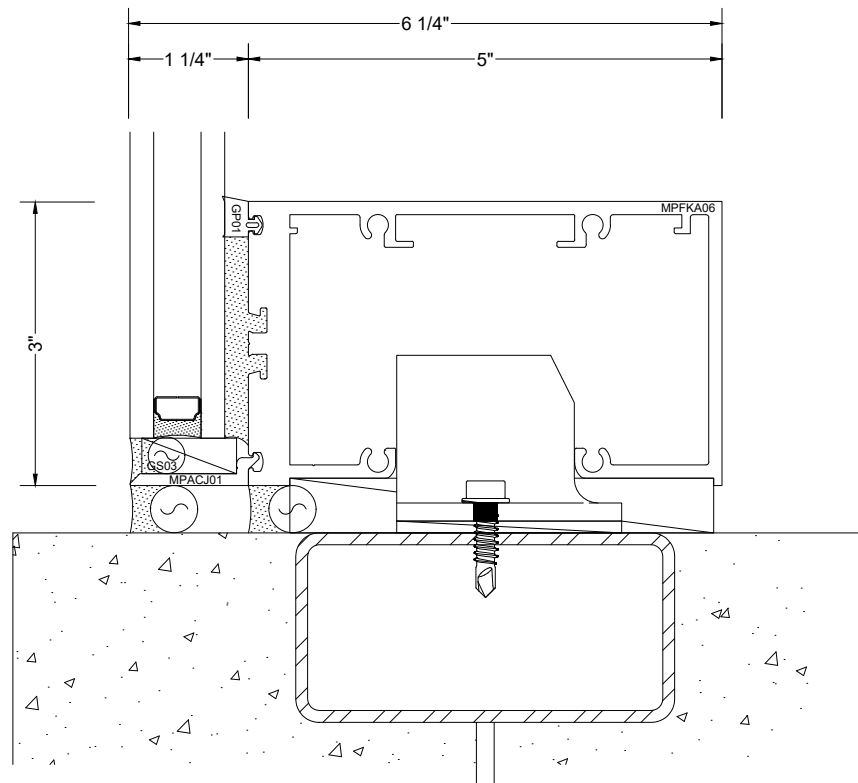
**3B** SILL CAPTURED  
 OPEN BACK UP  
 WITH COVER



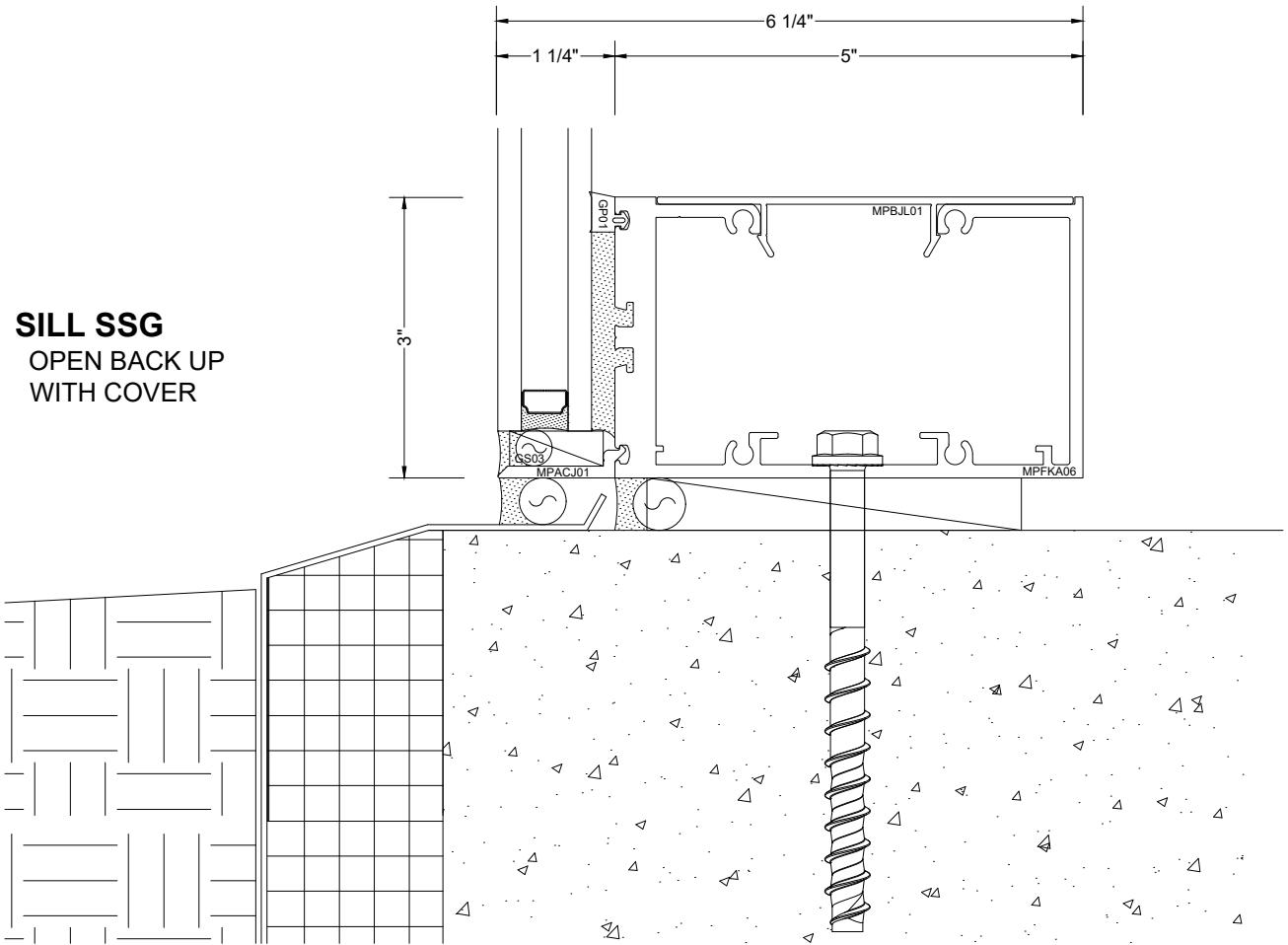
**4 SILL SSG**  
 SILL STARTER



**4A SILL SSG**  
 OPEN BACK DOWN  
 WITH CLIP

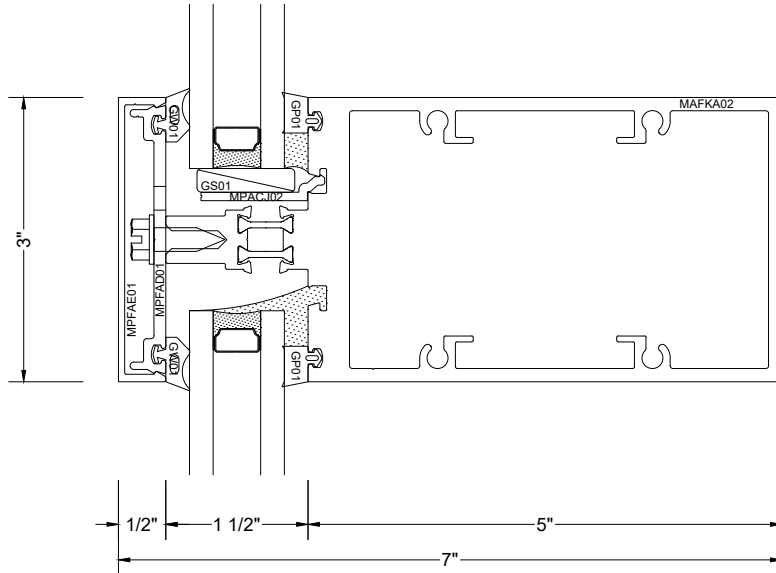


**4B** SILL SSG  
 OPEN BACK UP  
 WITH COVER

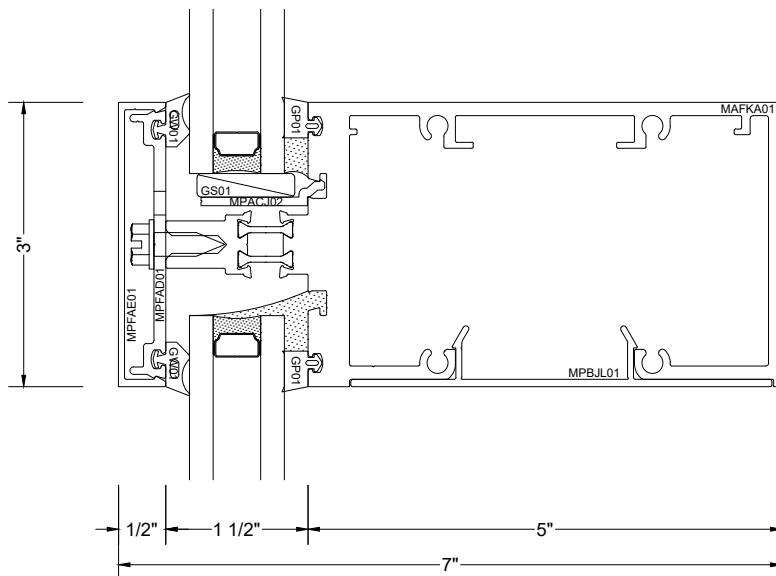




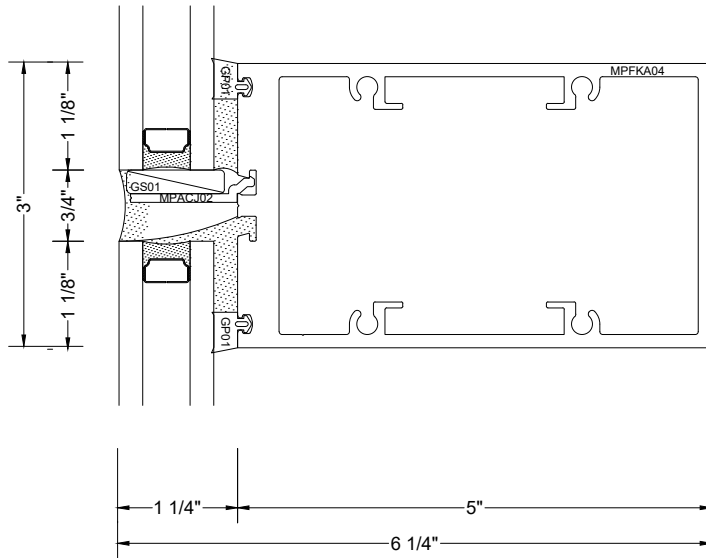
**5** HORIZONTAL CAPTURED TUBE



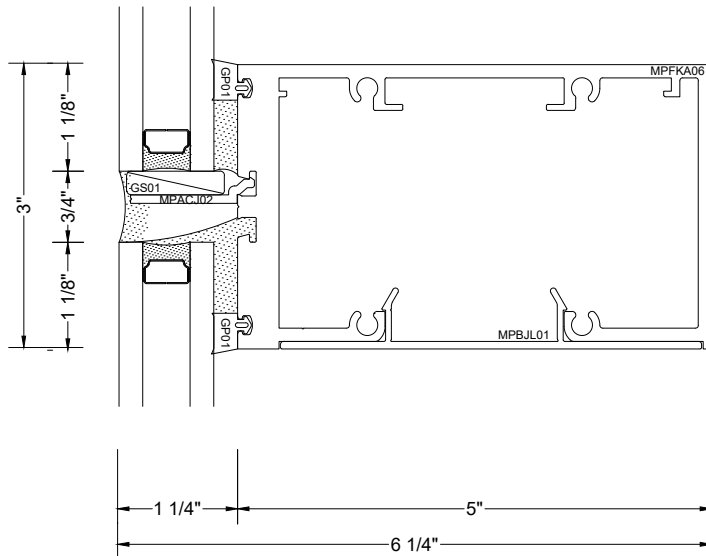
**5A** HORIZONTAL CAPTURED OPEN BACK DOWN WITH COVER



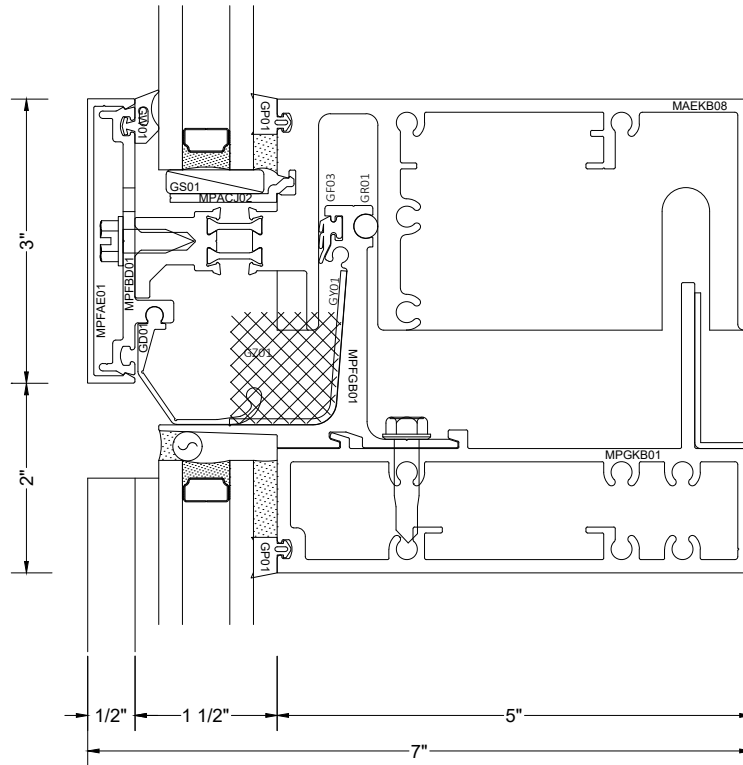
**6** HORIZONTAL SSG  
 TUBE



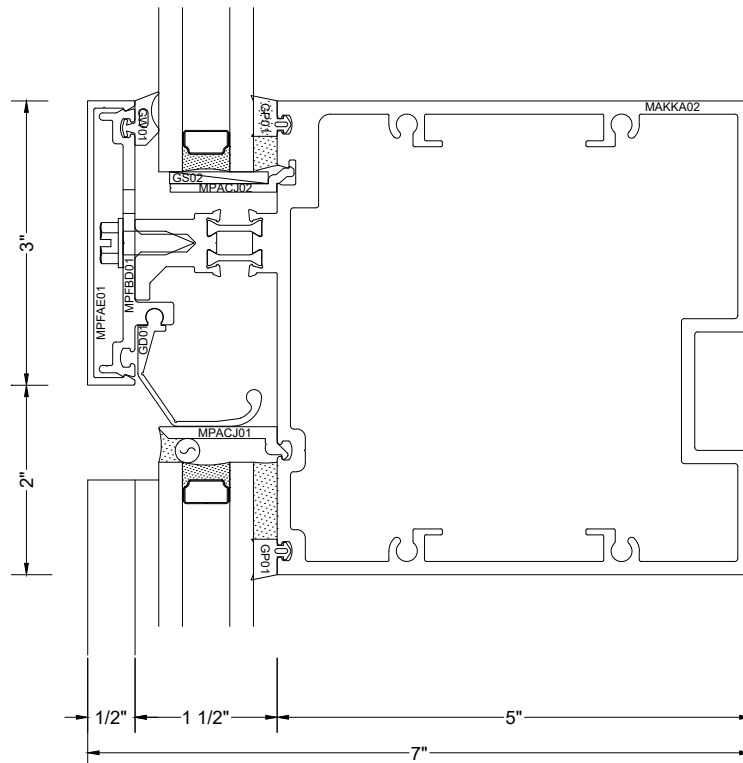
**6A** HORIZONTAL SSG  
 OPEN BACK DOWN  
 WITH COVER



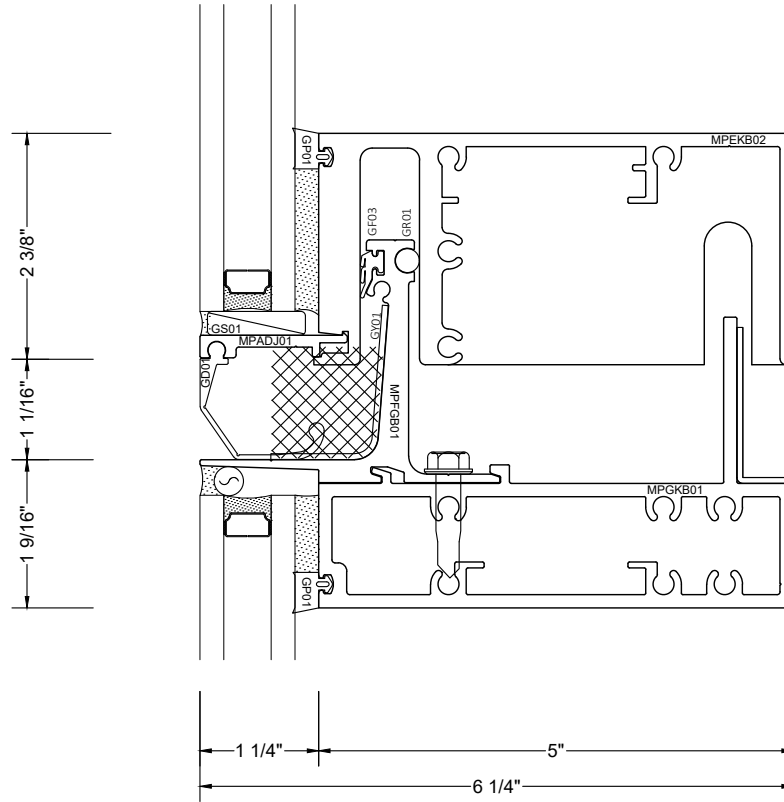
**7** UNIT STACK CAPTURED



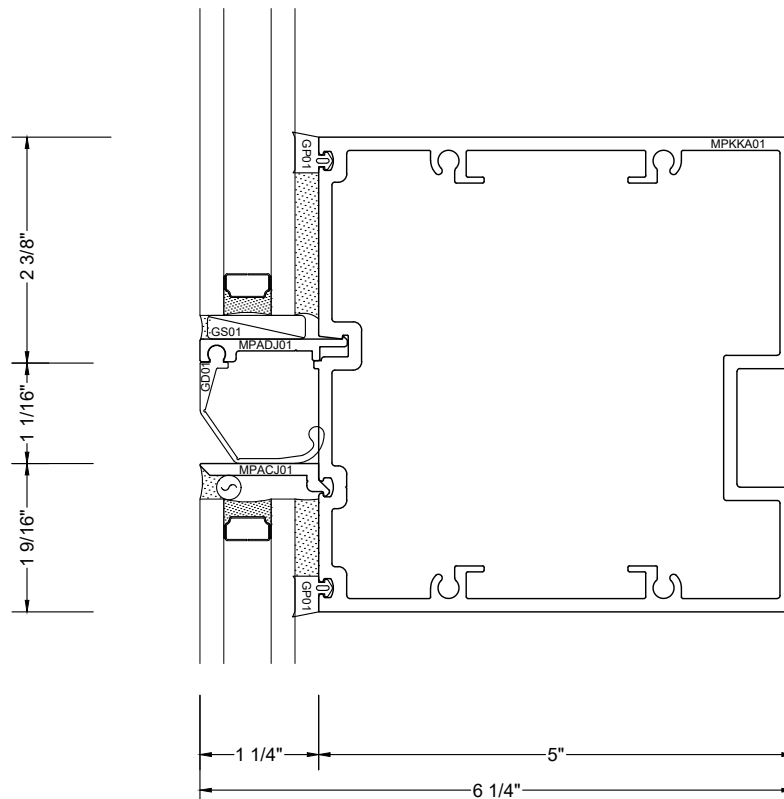
**7A** FAUX STACK CAPTURED

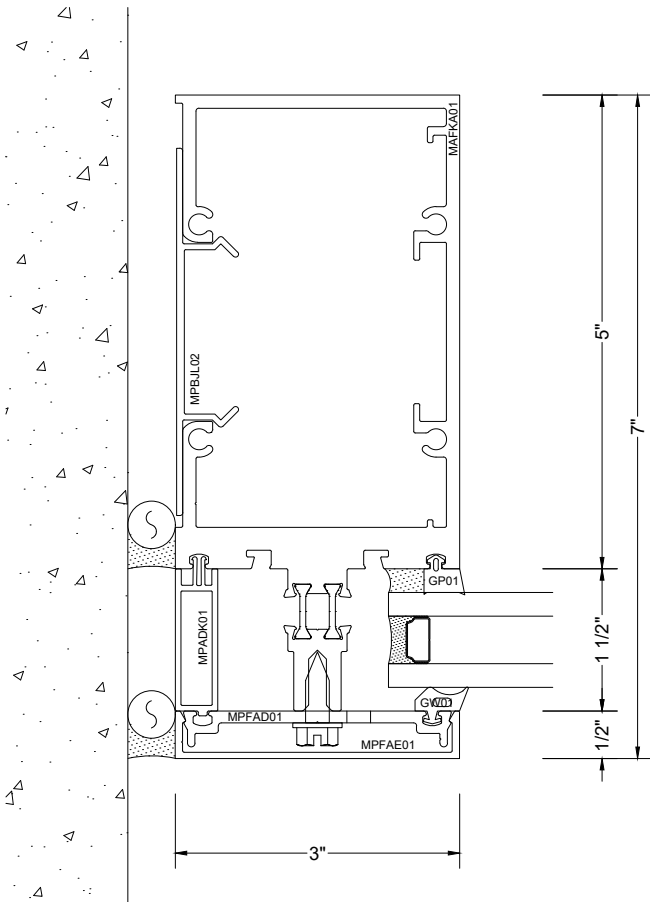


**8** UNIT STACK  
 SSG

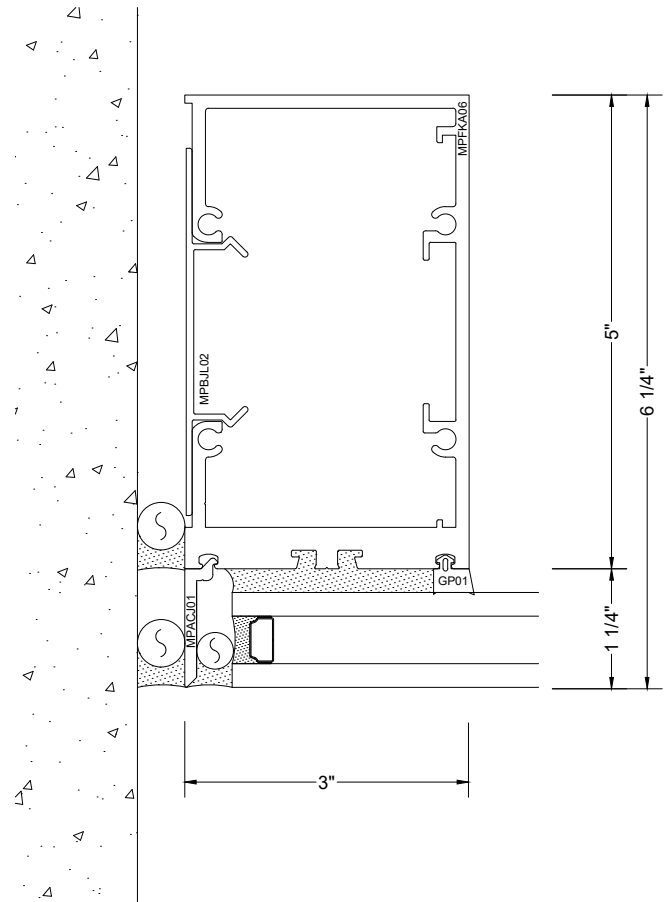


**8A** FAUX STACK  
 SSG

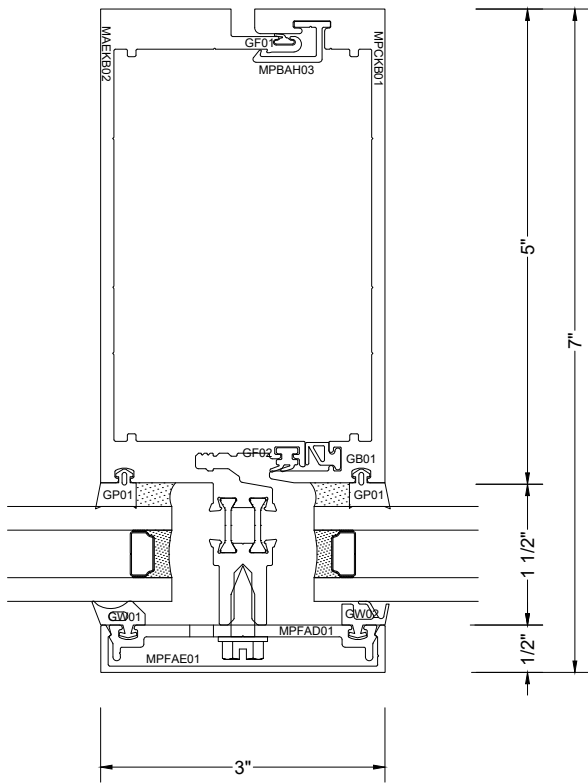




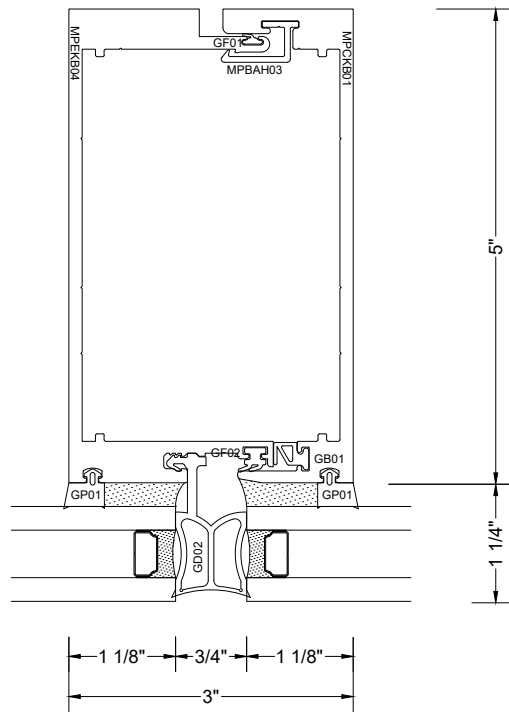
**9 JAMB CAPTURED**  
 OPEN BACK WITH PVC FILLER



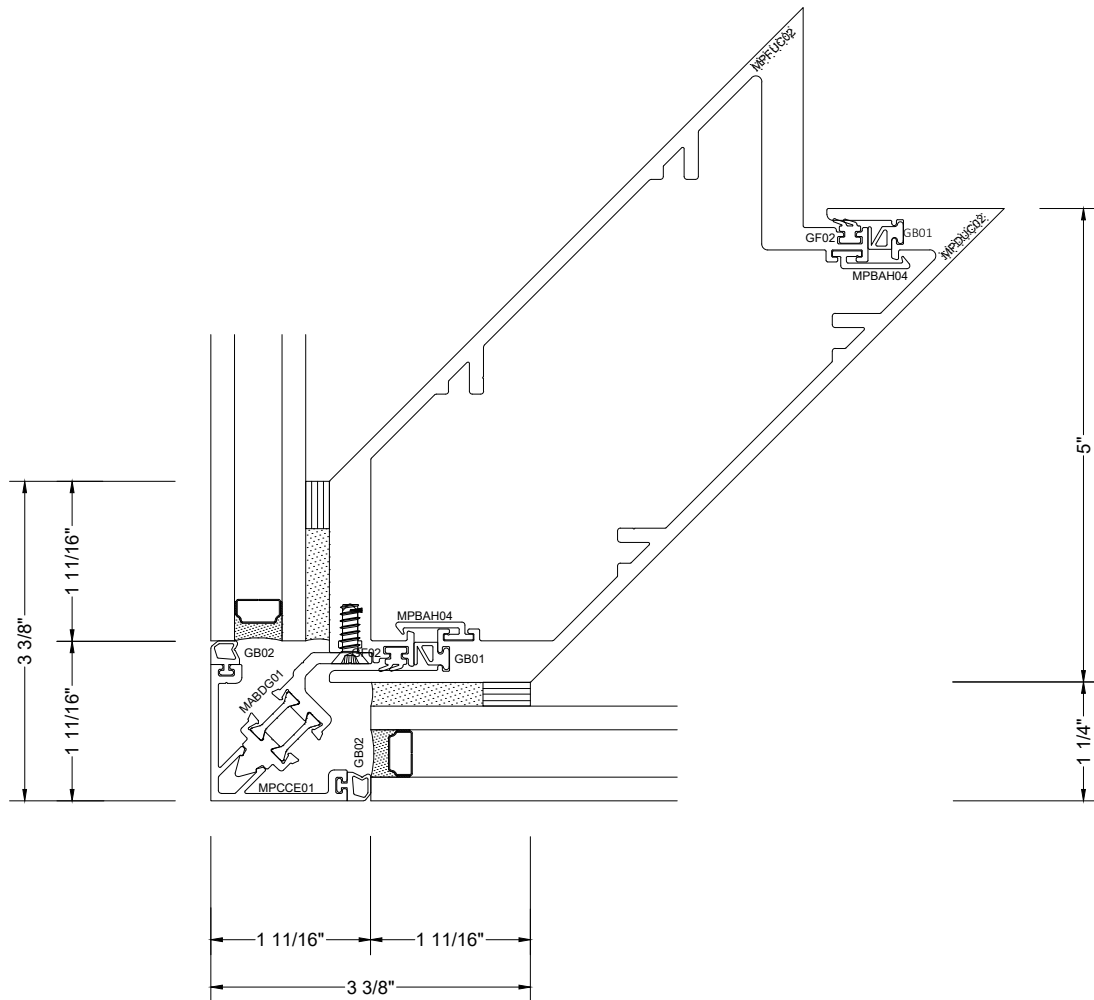
**10 JAMB SSG**  
 OPEN BACK WITH PVC FILLER



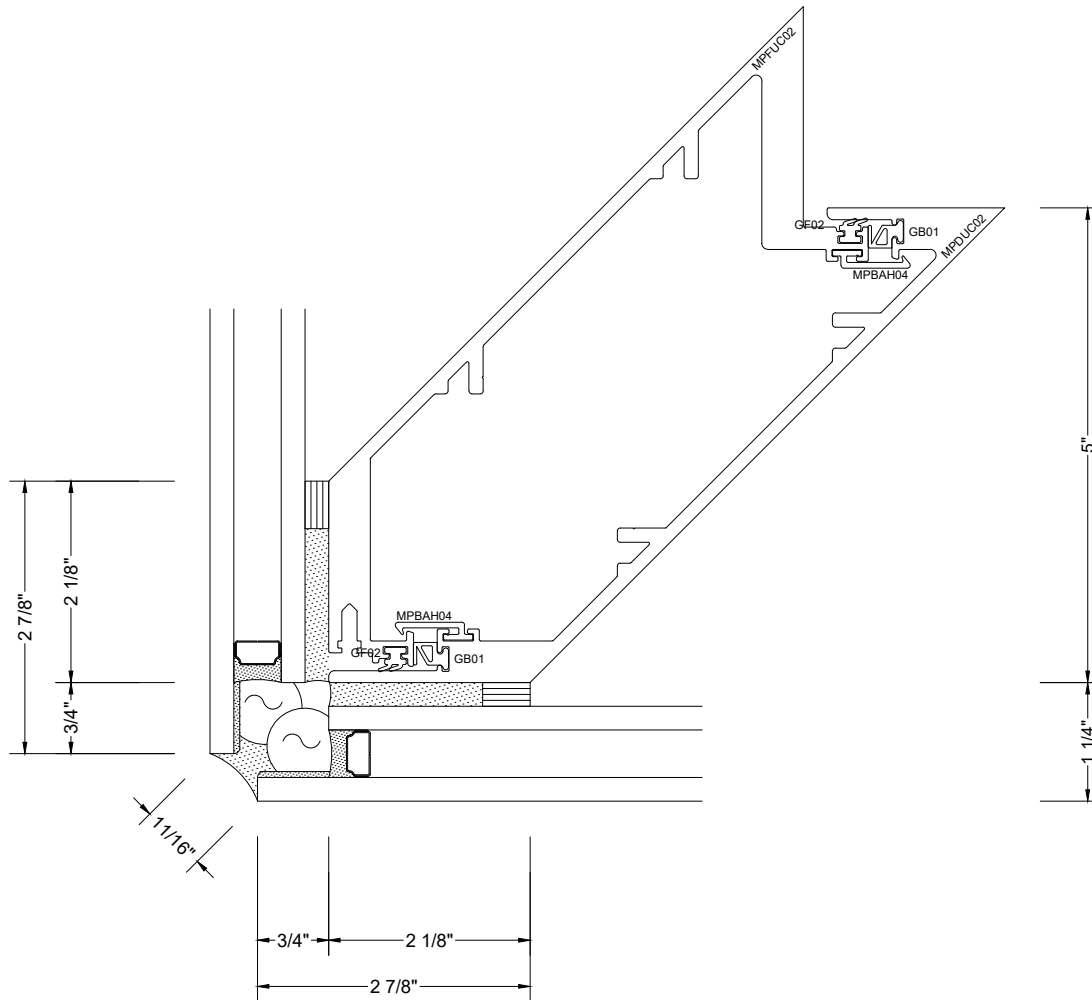
**11** VERTICAL CAPTURED



**12** VERTICAL SSG



**13** **90° OUTSIDE CORNER SSG**  
 ALUMINUM NOSE  
 \*contact JRB for other angle options



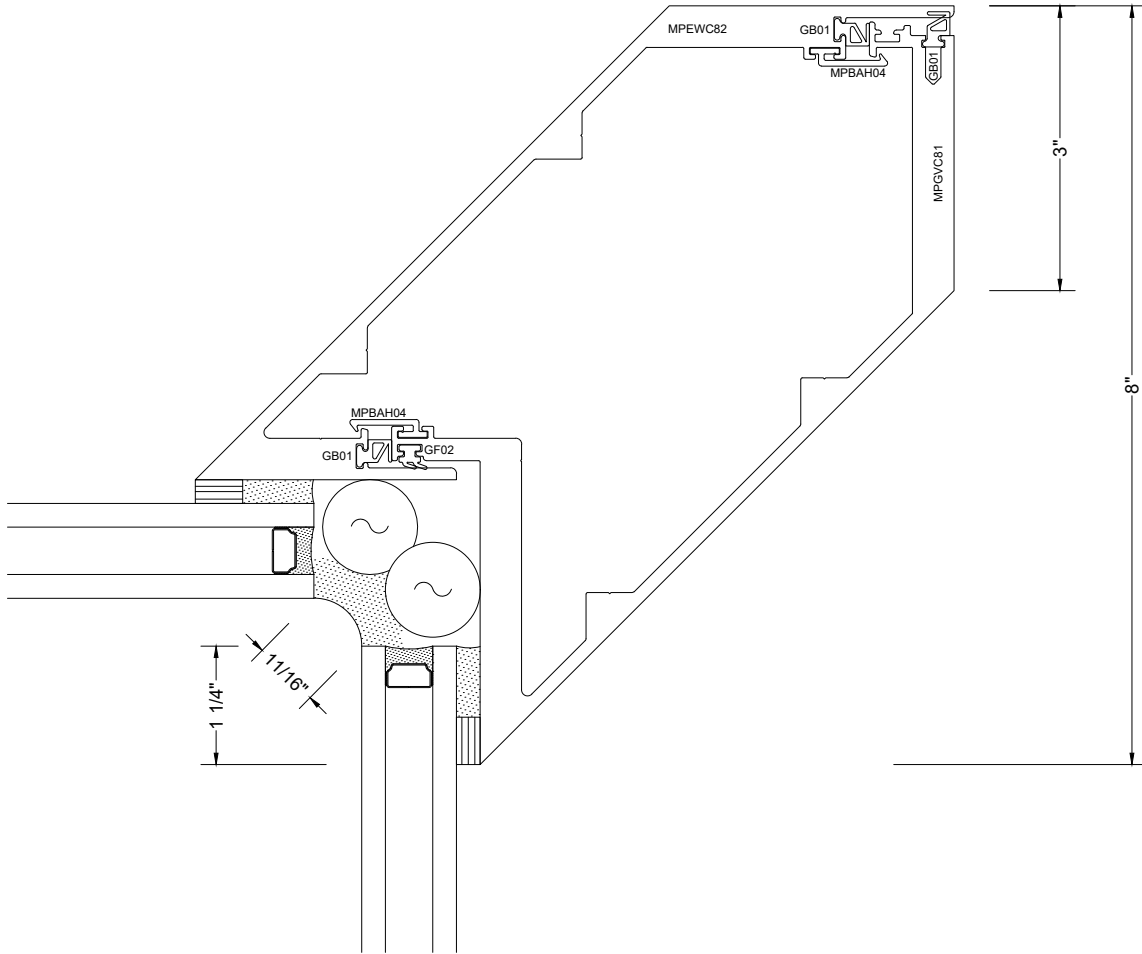
**14**

**90° OUTSIDE CORNER SSG**

GLASS NOSE

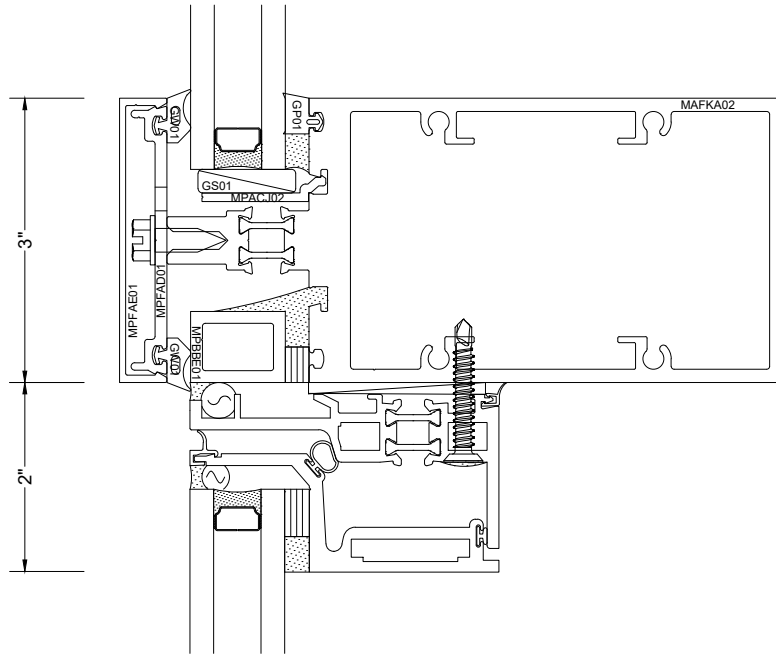
\*contact JRB for other angle options



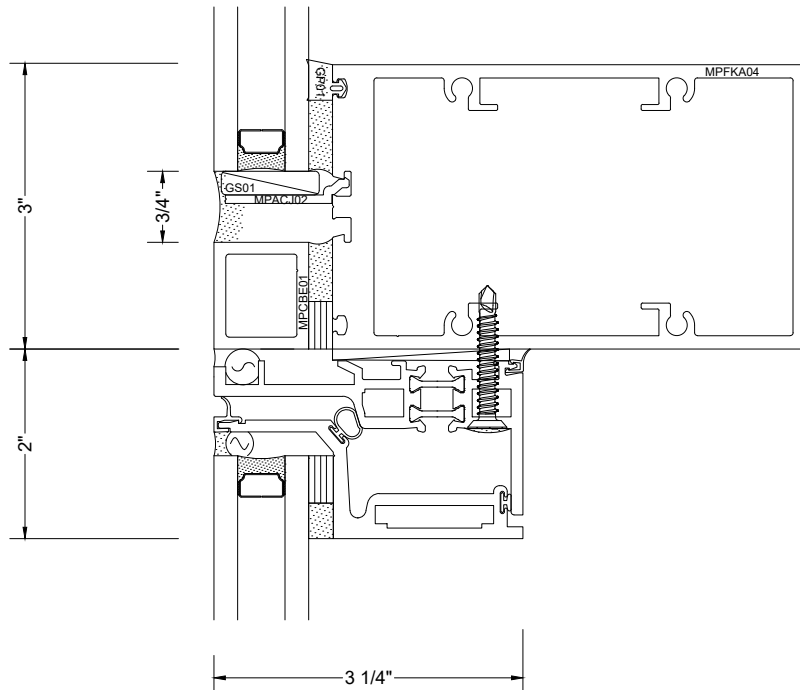


**15** **90° INSIDE CORNER SSG**  
 \*contact JRB for other angle options

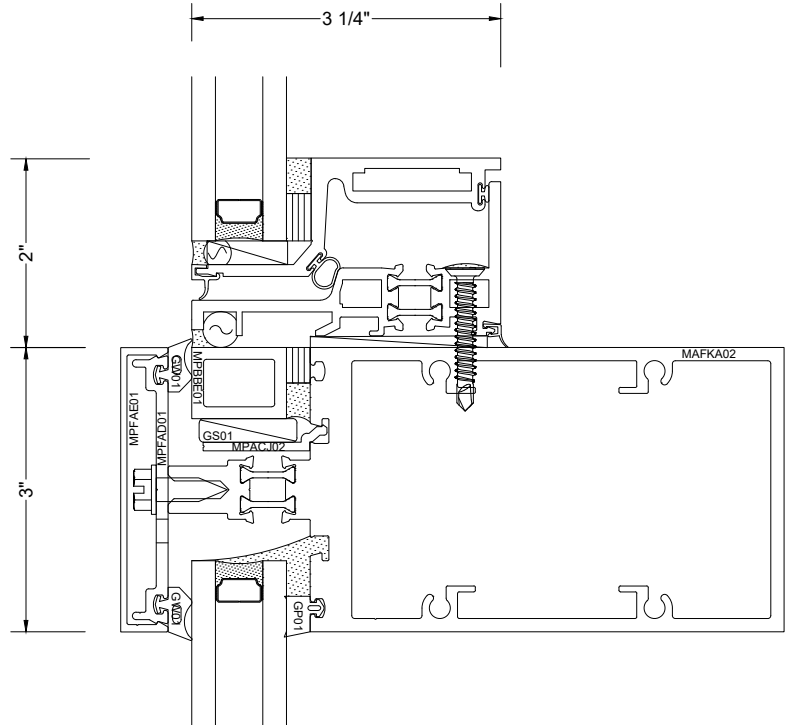
**16** HEAD CAPTURED  
 ZERO SITE LINE  
 INSERT VENT



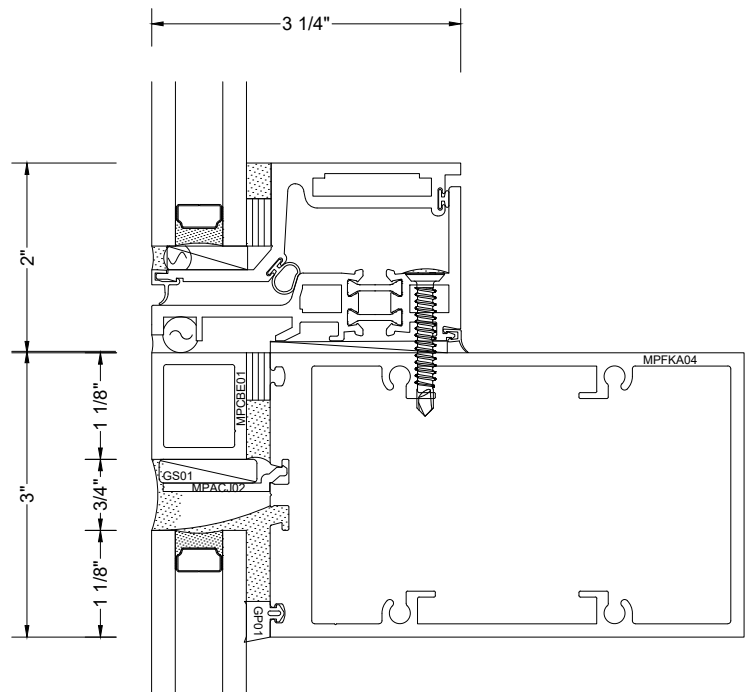
**16A** HEAD SSG  
 ZERO SITE LINE  
 INSERT VENT

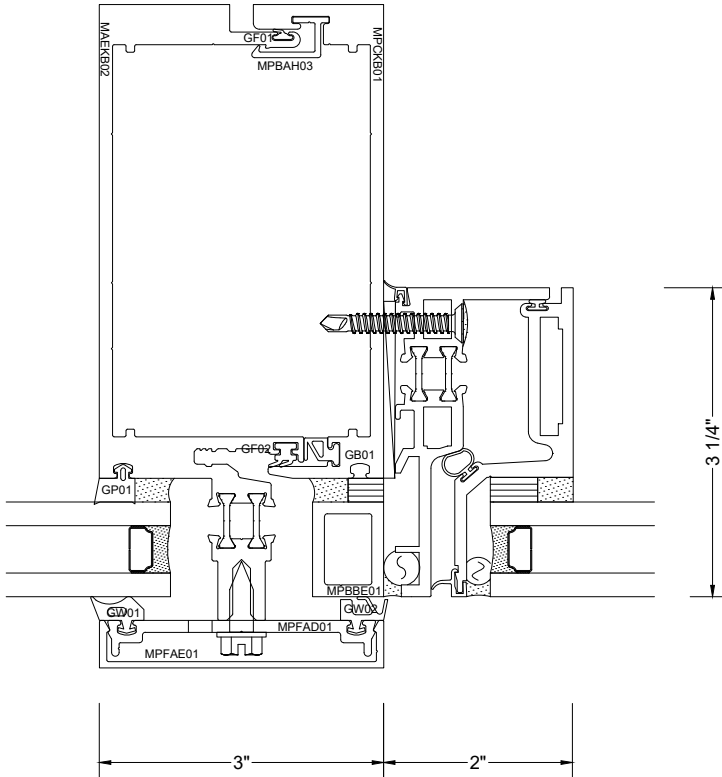


**17** **SILL CAPTURED**  
 ZERO SITE LINE  
 INSERT VENT

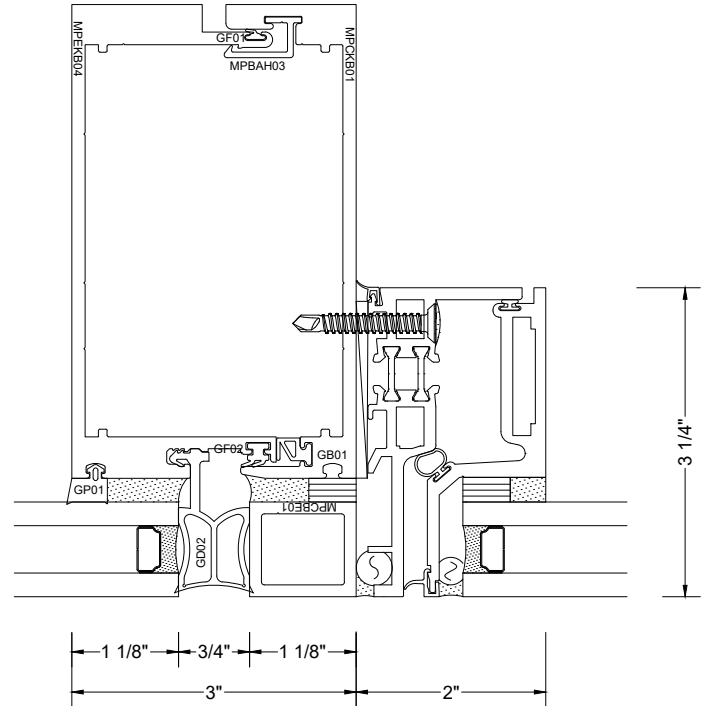


**17A** **SILL SSG**  
 ZERO SITE LINE  
 INSERT VENT



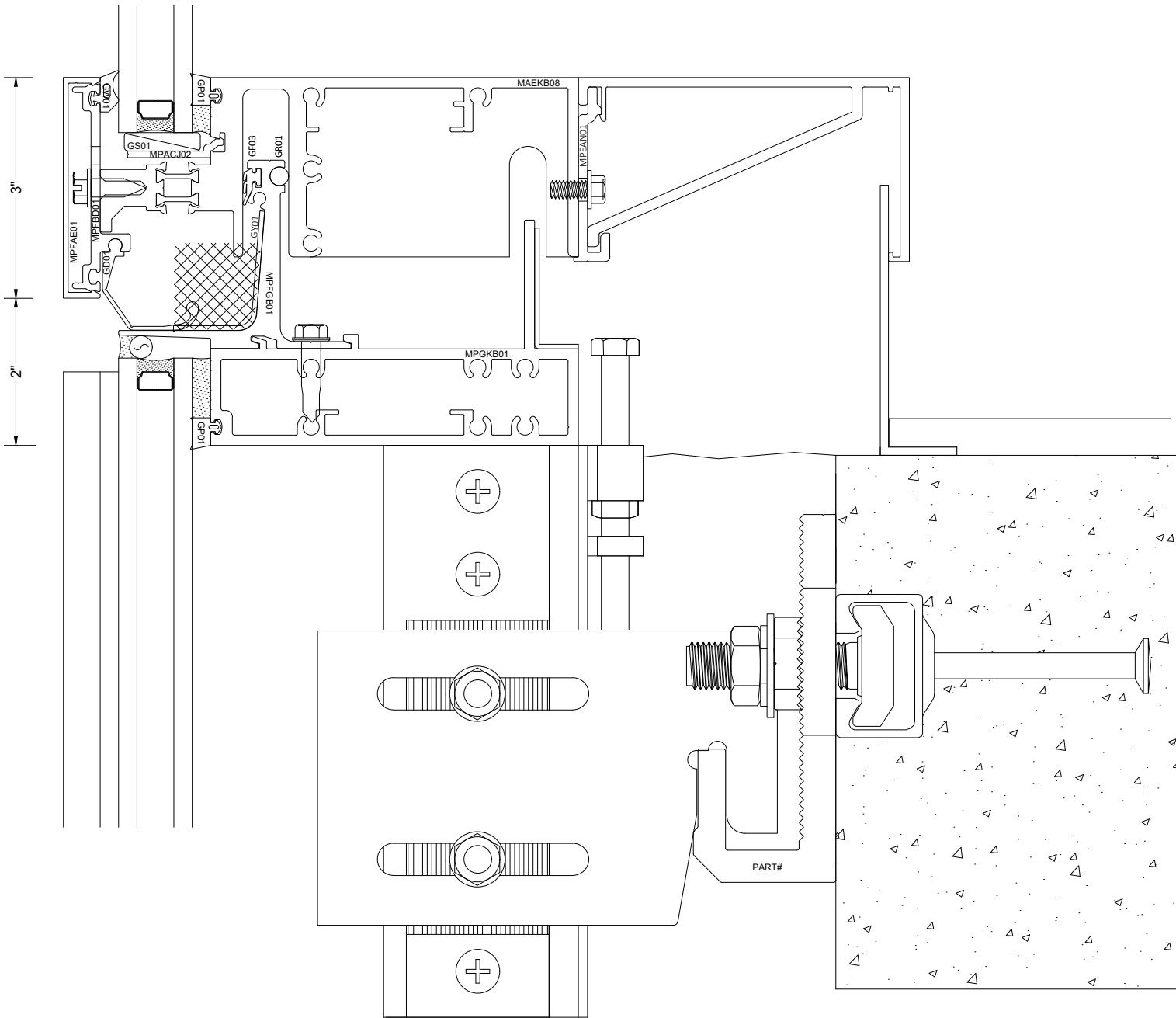


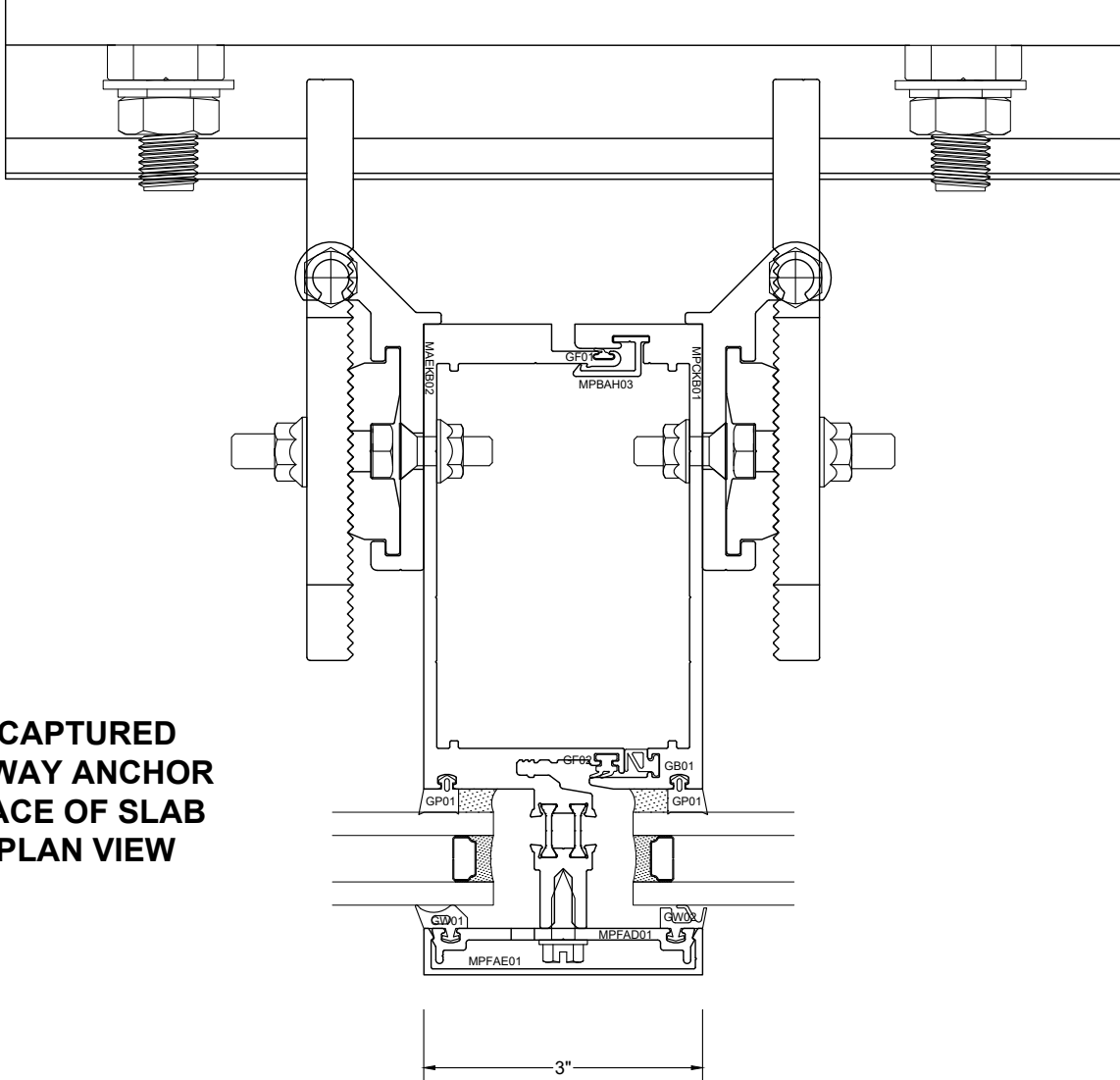
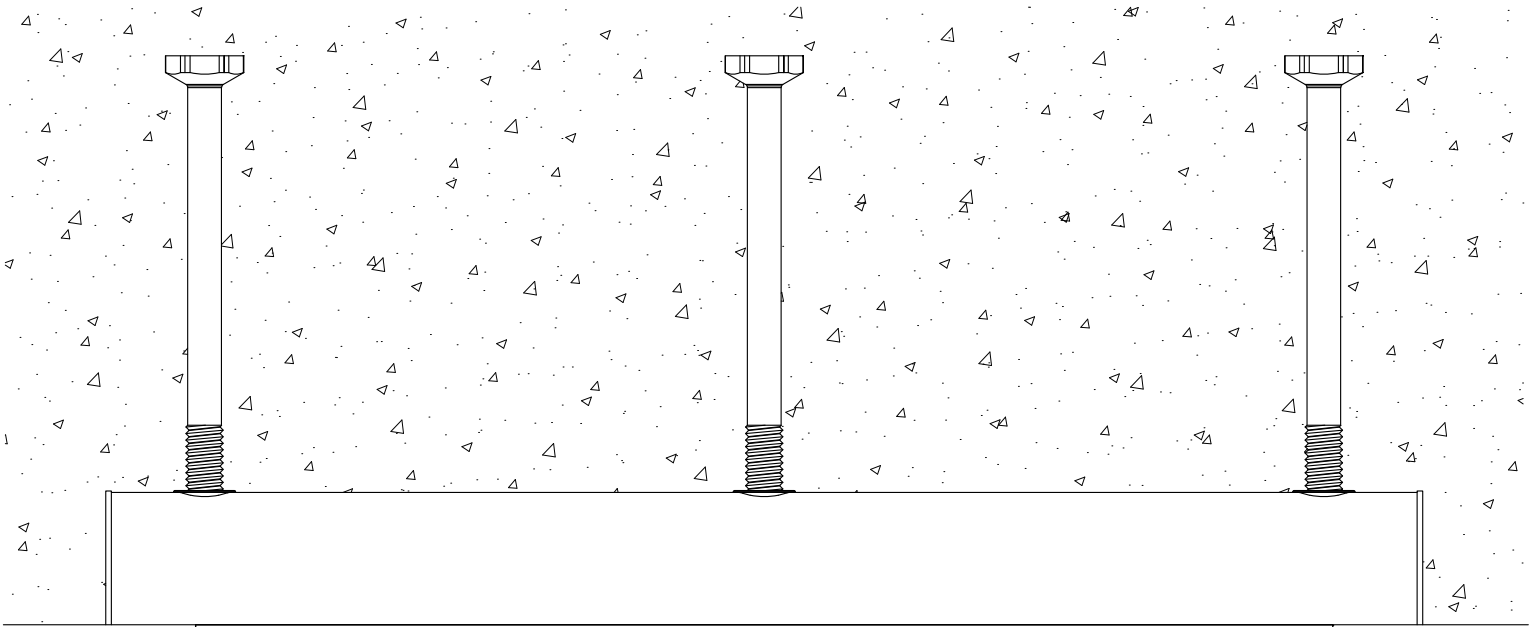
**18** **JAMB CAPTURED**  
 ZERO SITE LINE  
 INSERT VENT



**18A** **JAMB SSG**  
 ZERO SITE LINE  
 INSERT VENT

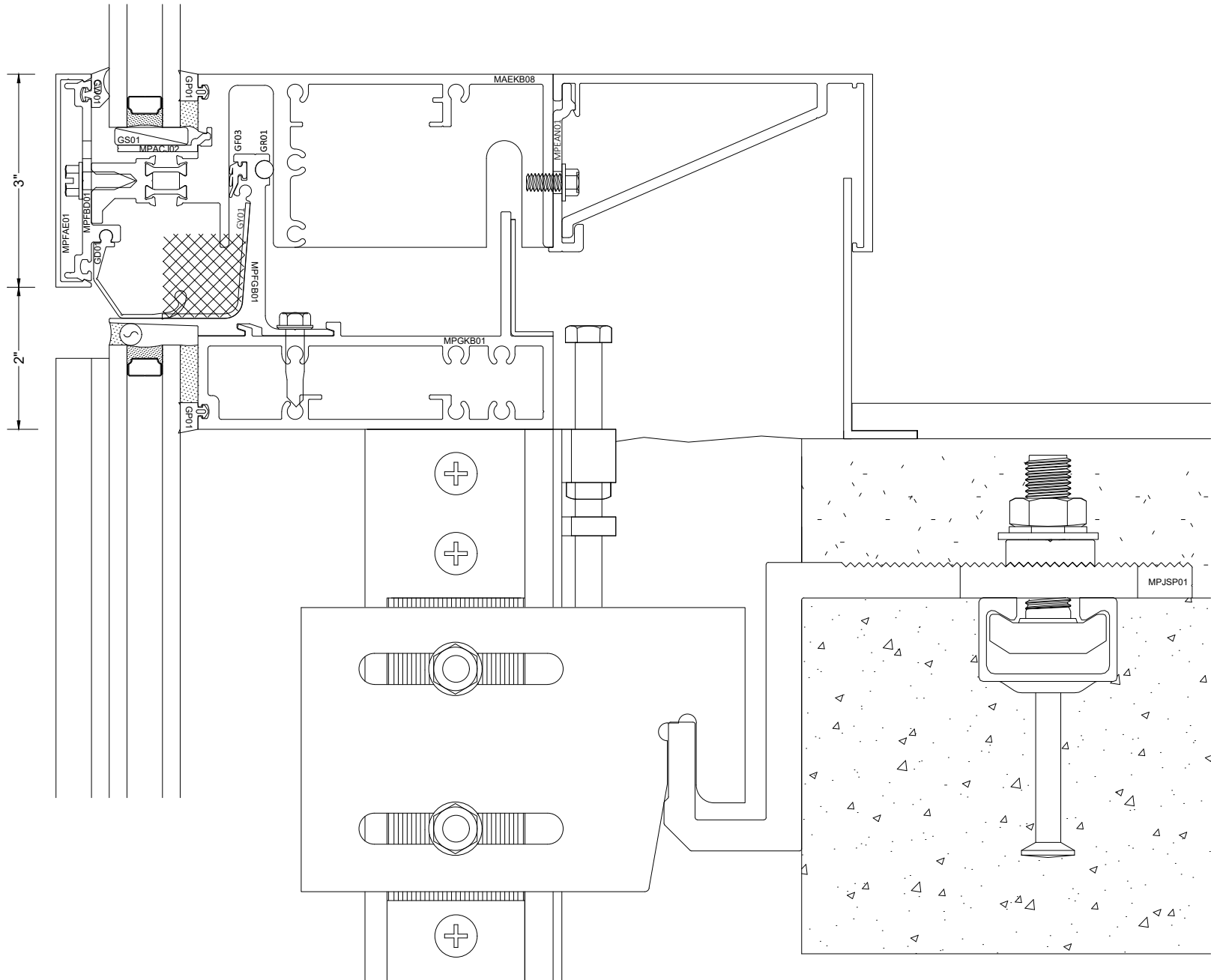
**CAPTURED  
 3-WAY ANCHOR  
 FACE OF SLAB**

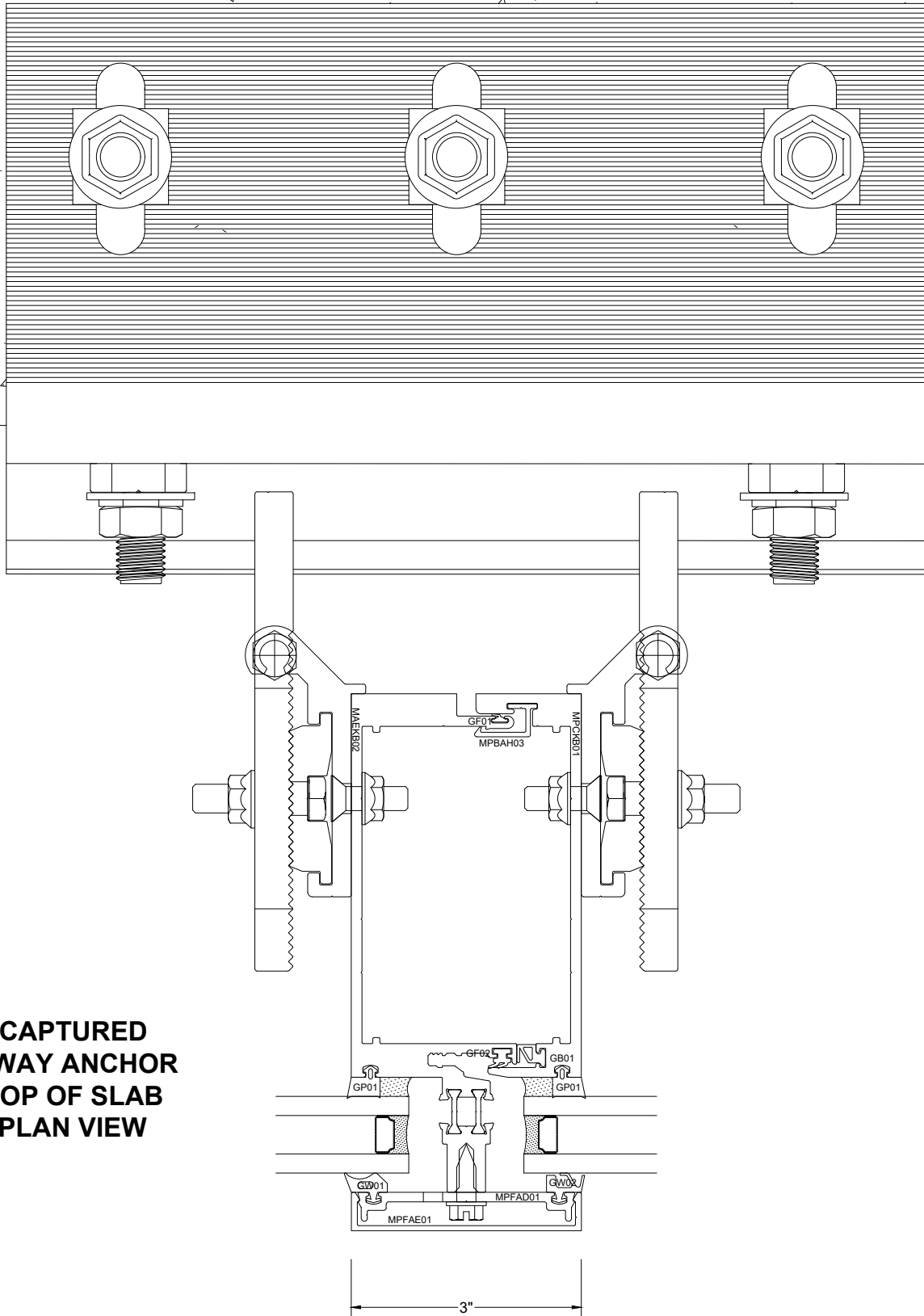




**CAPTURED  
 3-WAY ANCHOR  
 FACE OF SLAB  
 PLAN VIEW**

**CAPTURED  
 3-WAY ANCHOR  
 TOP OF SLAB**

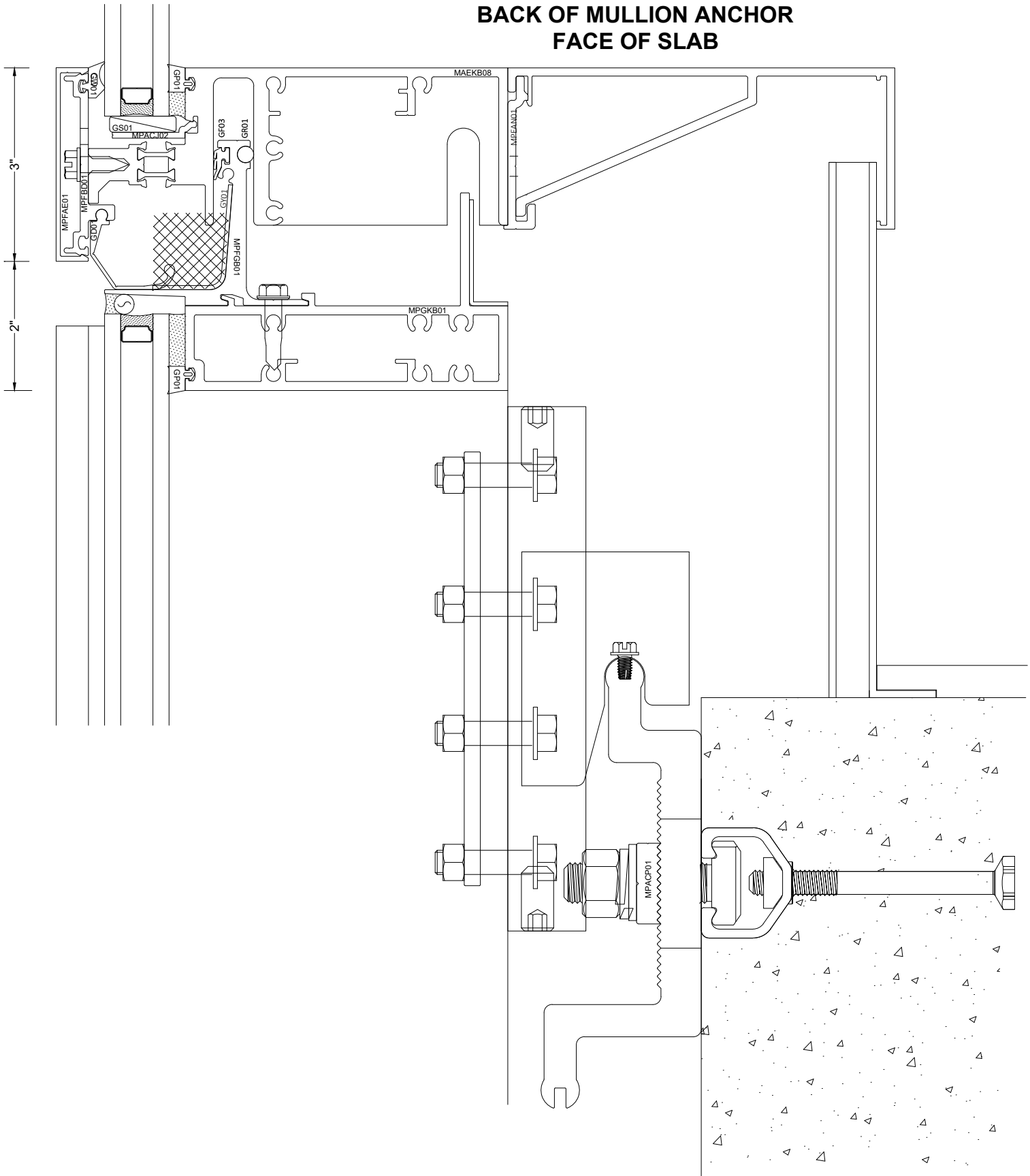


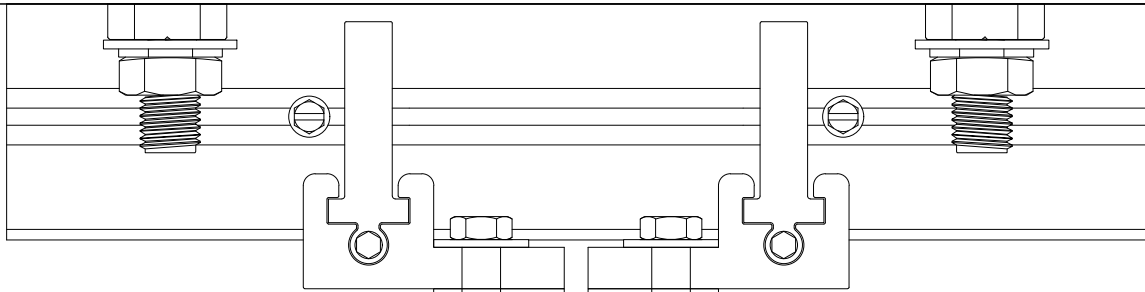
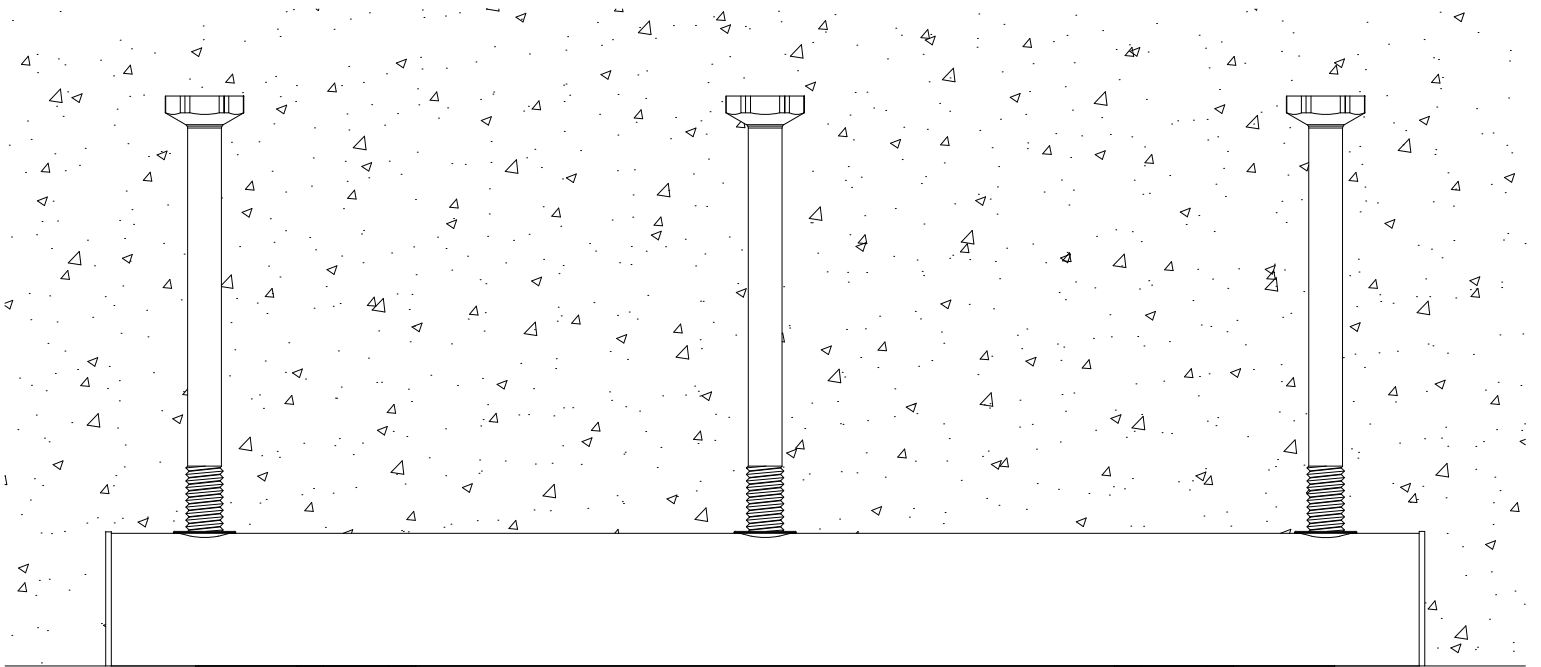


**CAPTURED  
 3-WAY ANCHOR  
 TOP OF SLAB  
 PLAN VIEW**

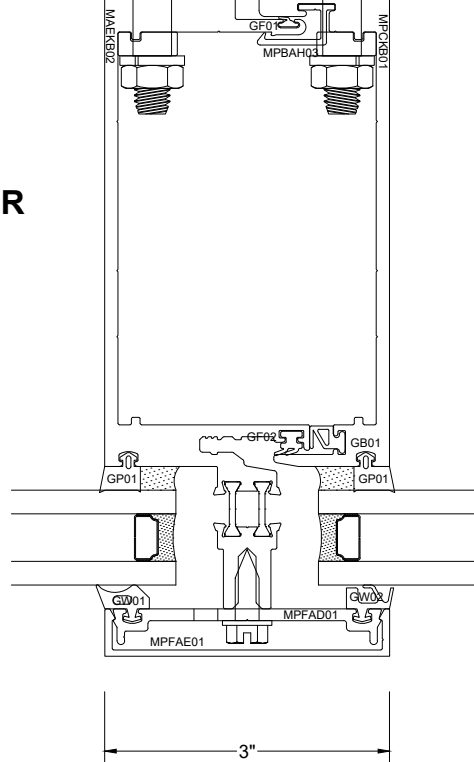


**CAPTURED  
 BACK OF MULLION ANCHOR  
 FACE OF SLAB**

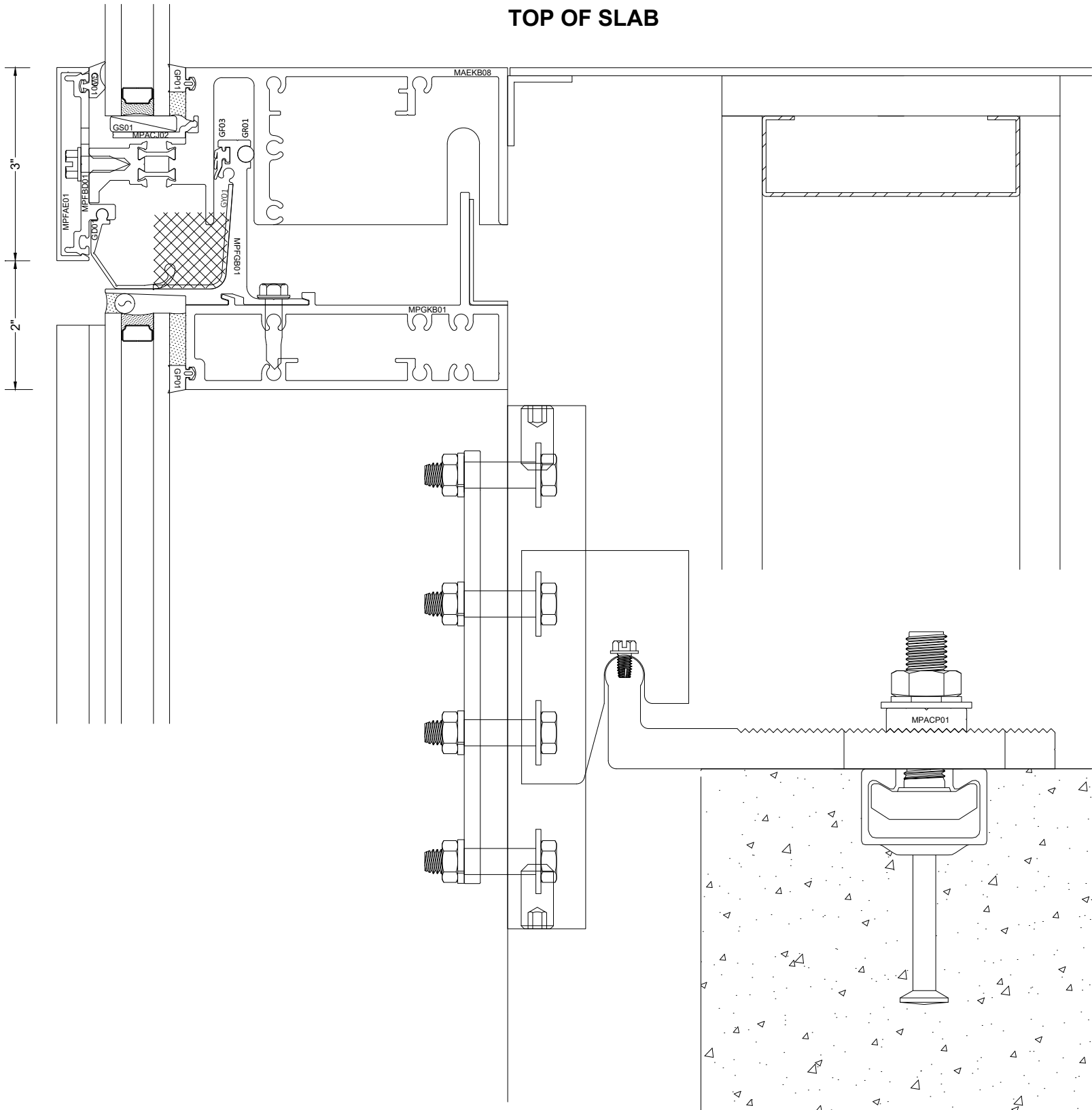




**CAPTURED  
 BACK OF MULLION ANCHOR  
 PLAN VIEW**

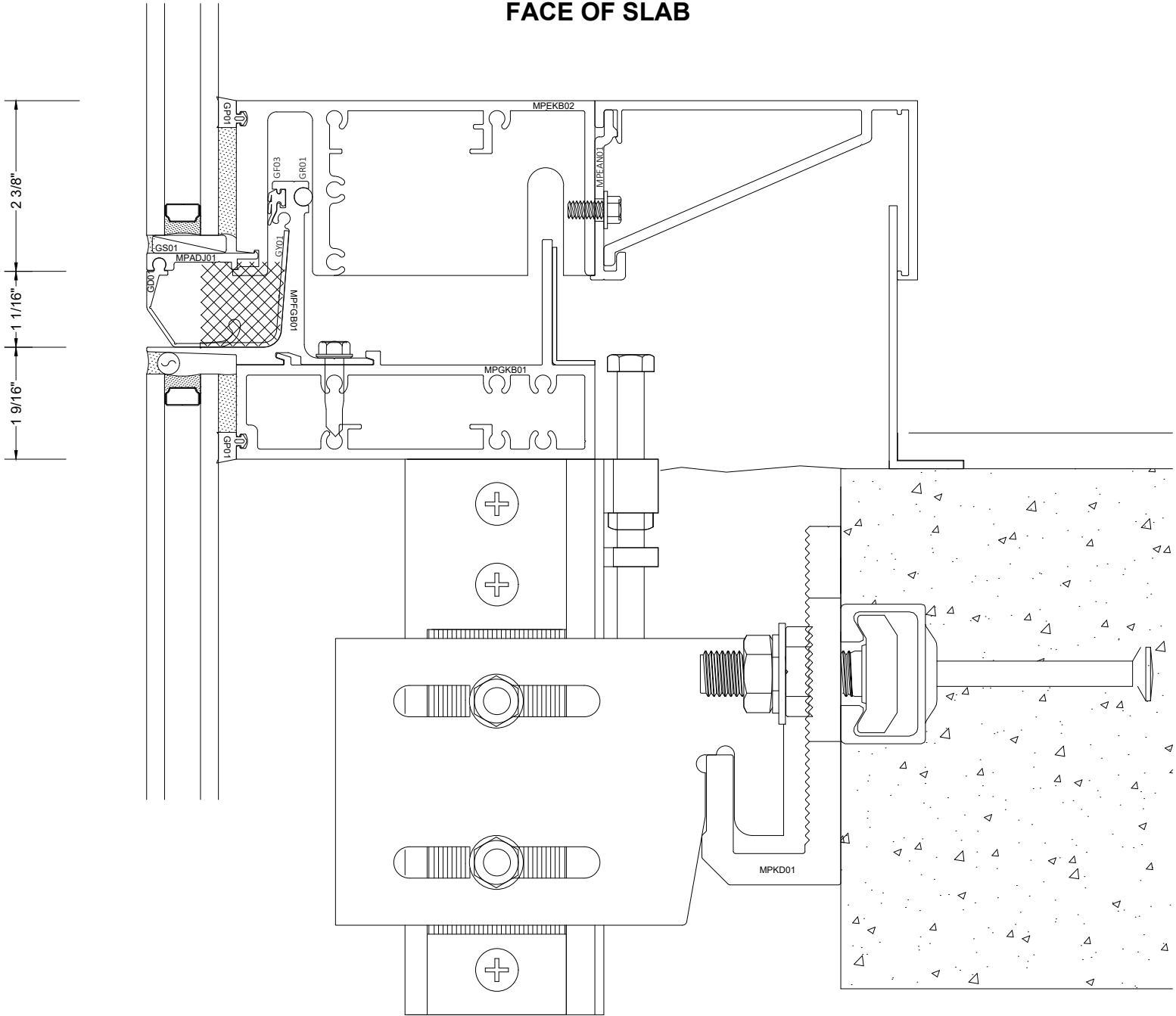


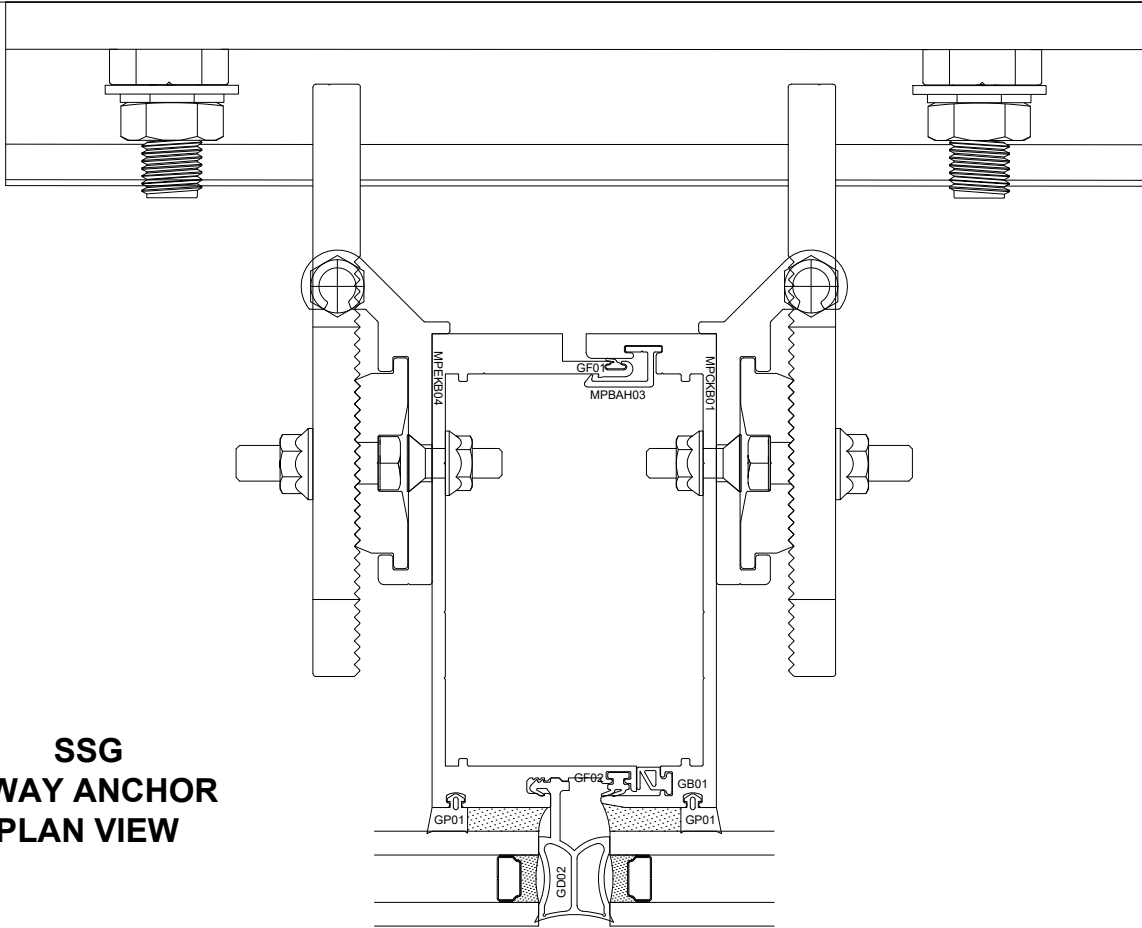
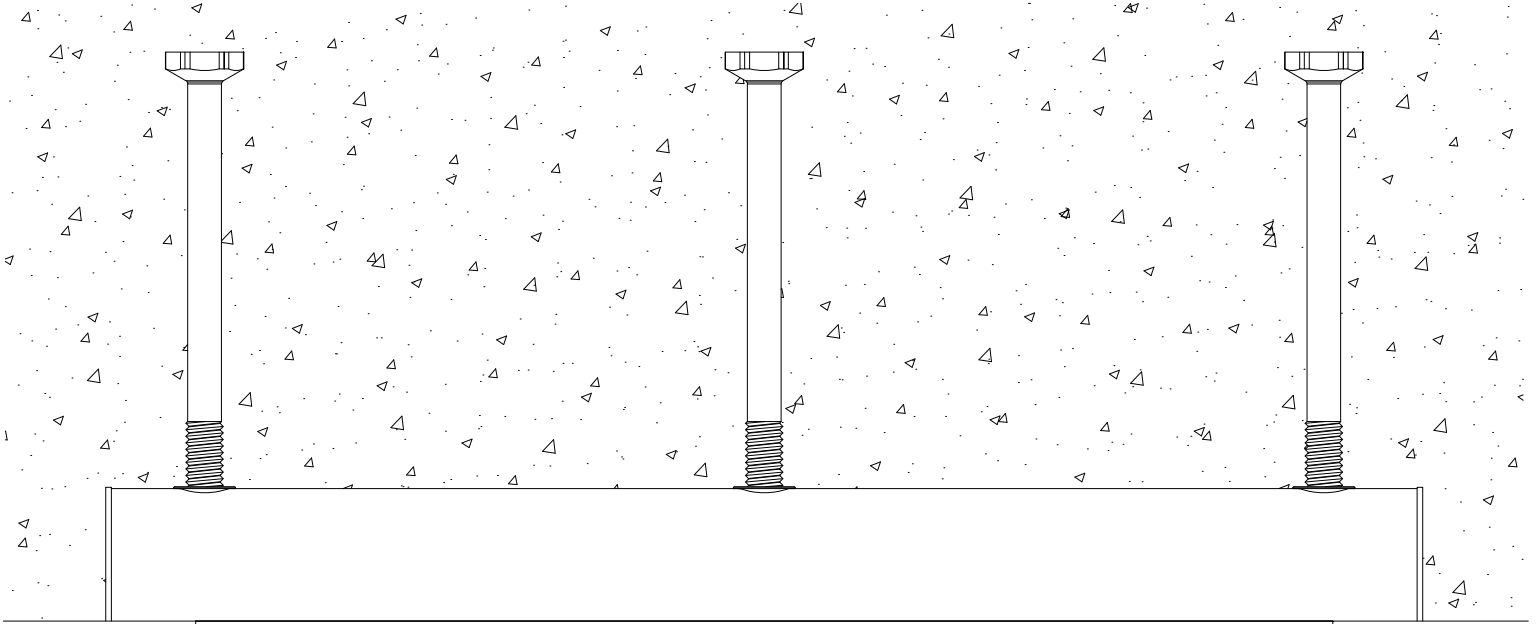
**CAPTURED  
 BACK OF MULLION ANCHOR  
 TOP OF SLAB**



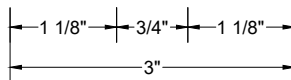


**SSG  
 3-WAY ANCHOR  
 FACE OF SLAB**

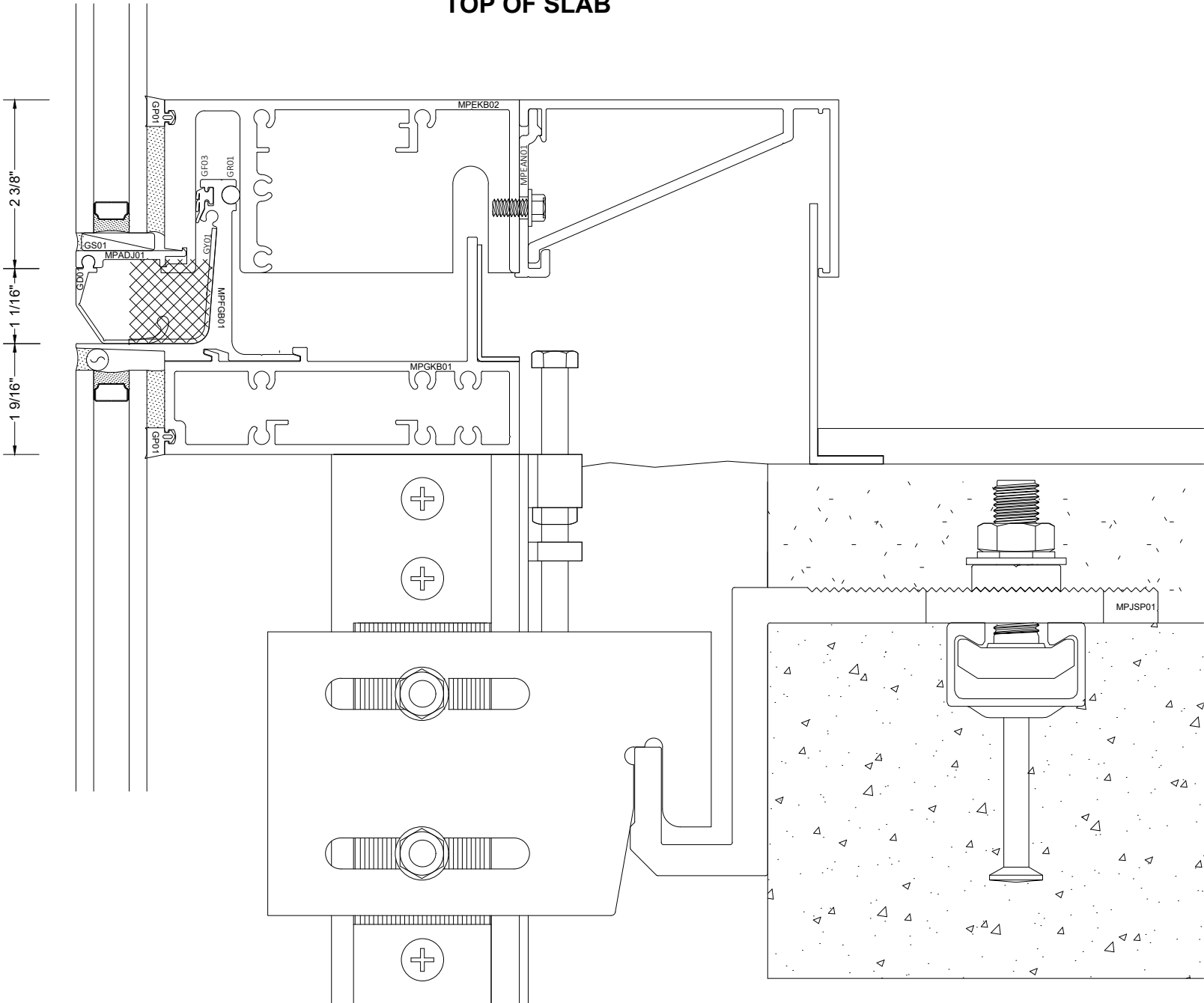


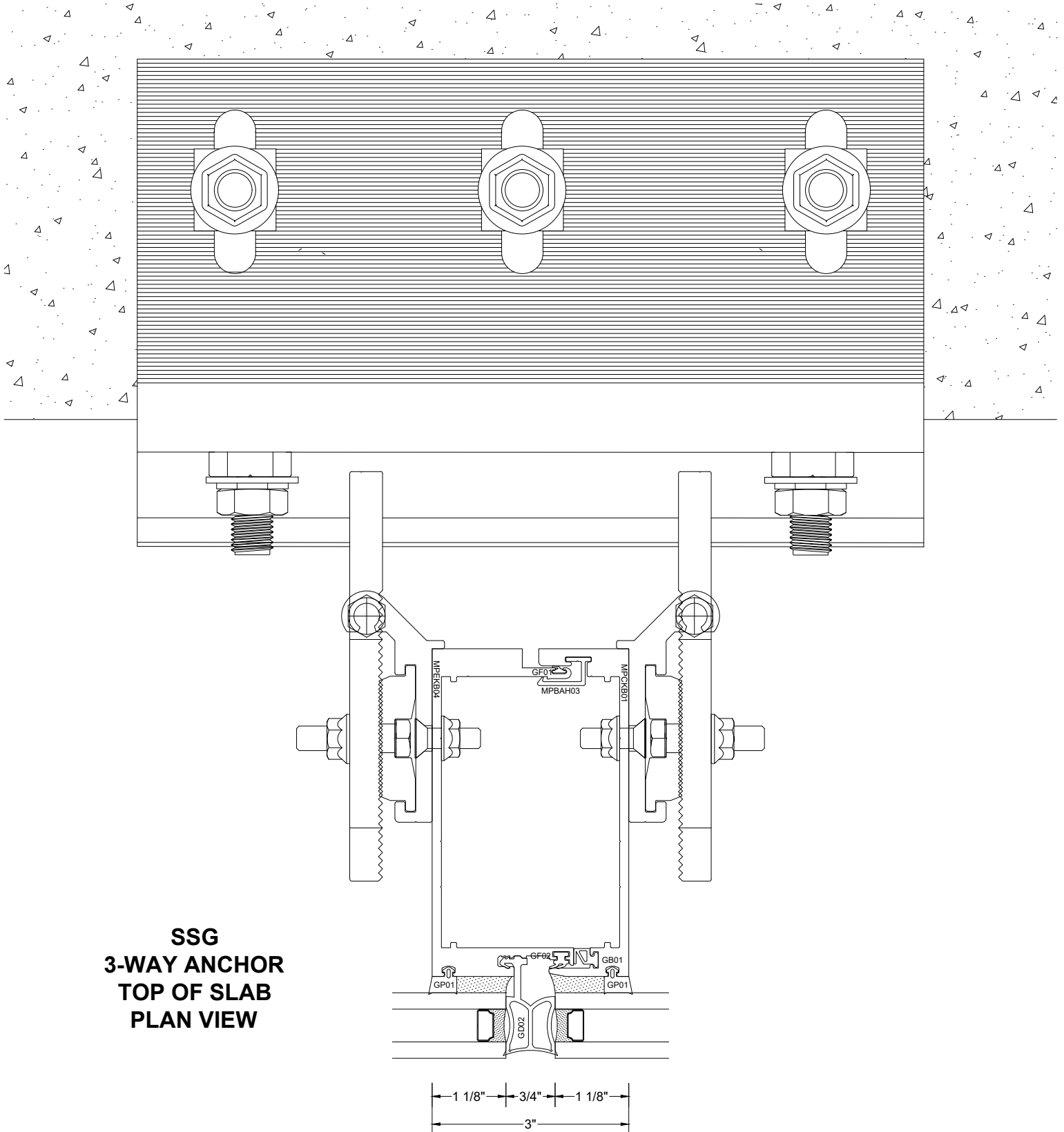


**SSG  
 3-WAY ANCHOR  
 PLAN VIEW**



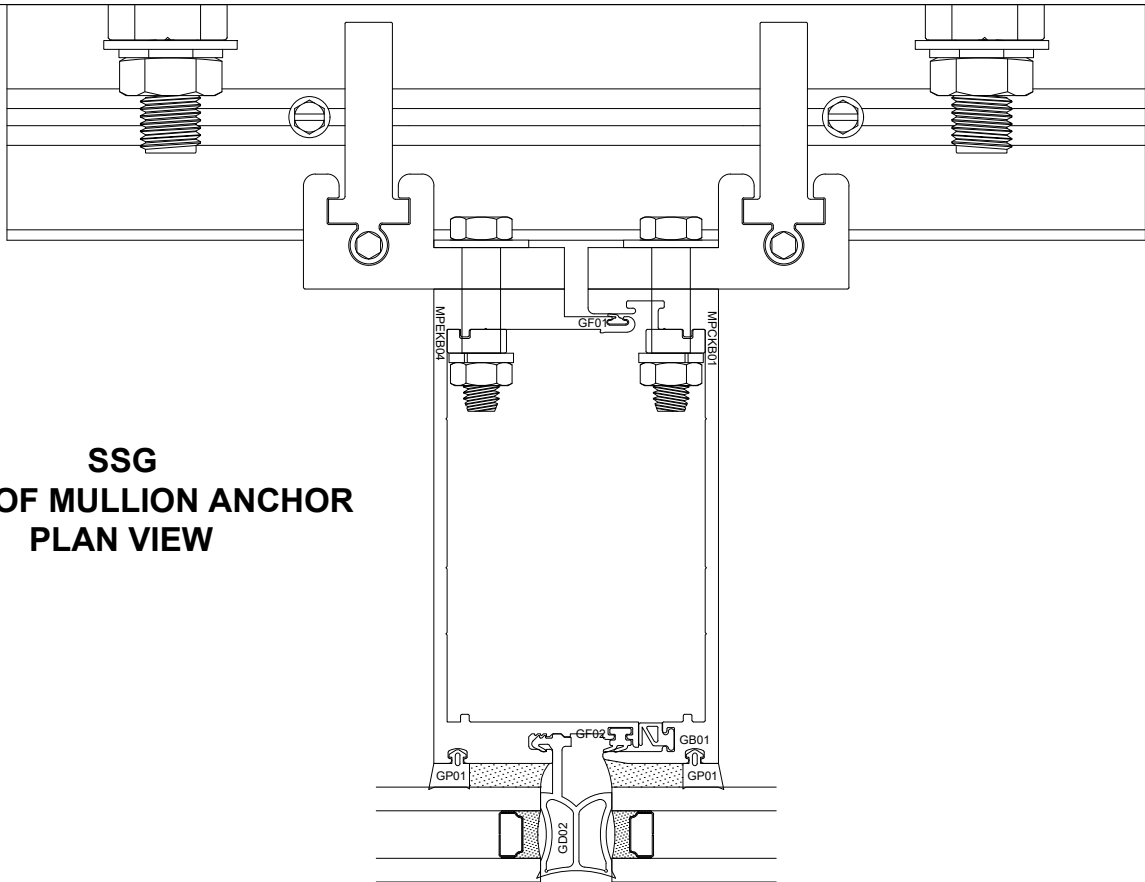
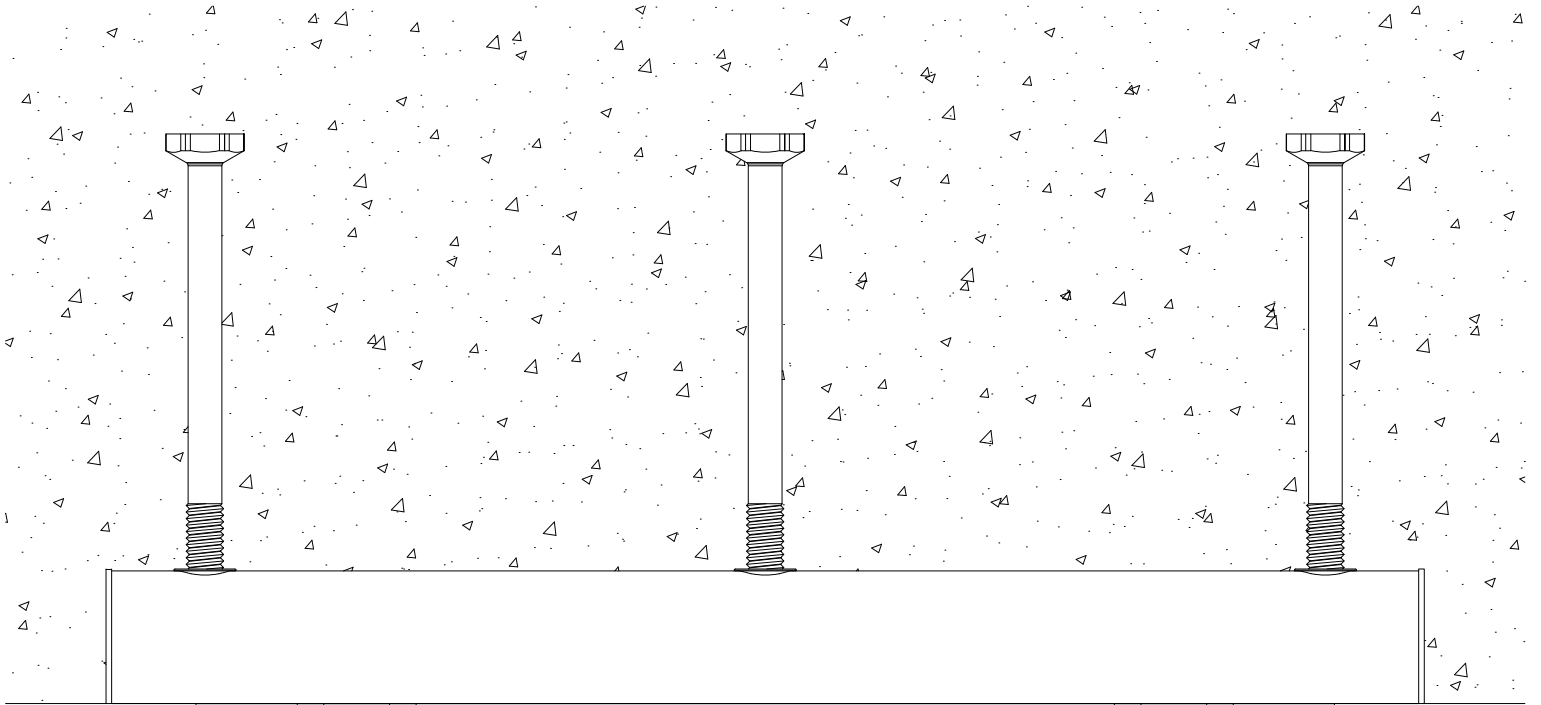
**SSG  
 3-WAY ANCHOR  
 TOP OF SLAB**



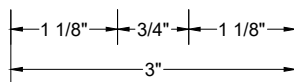




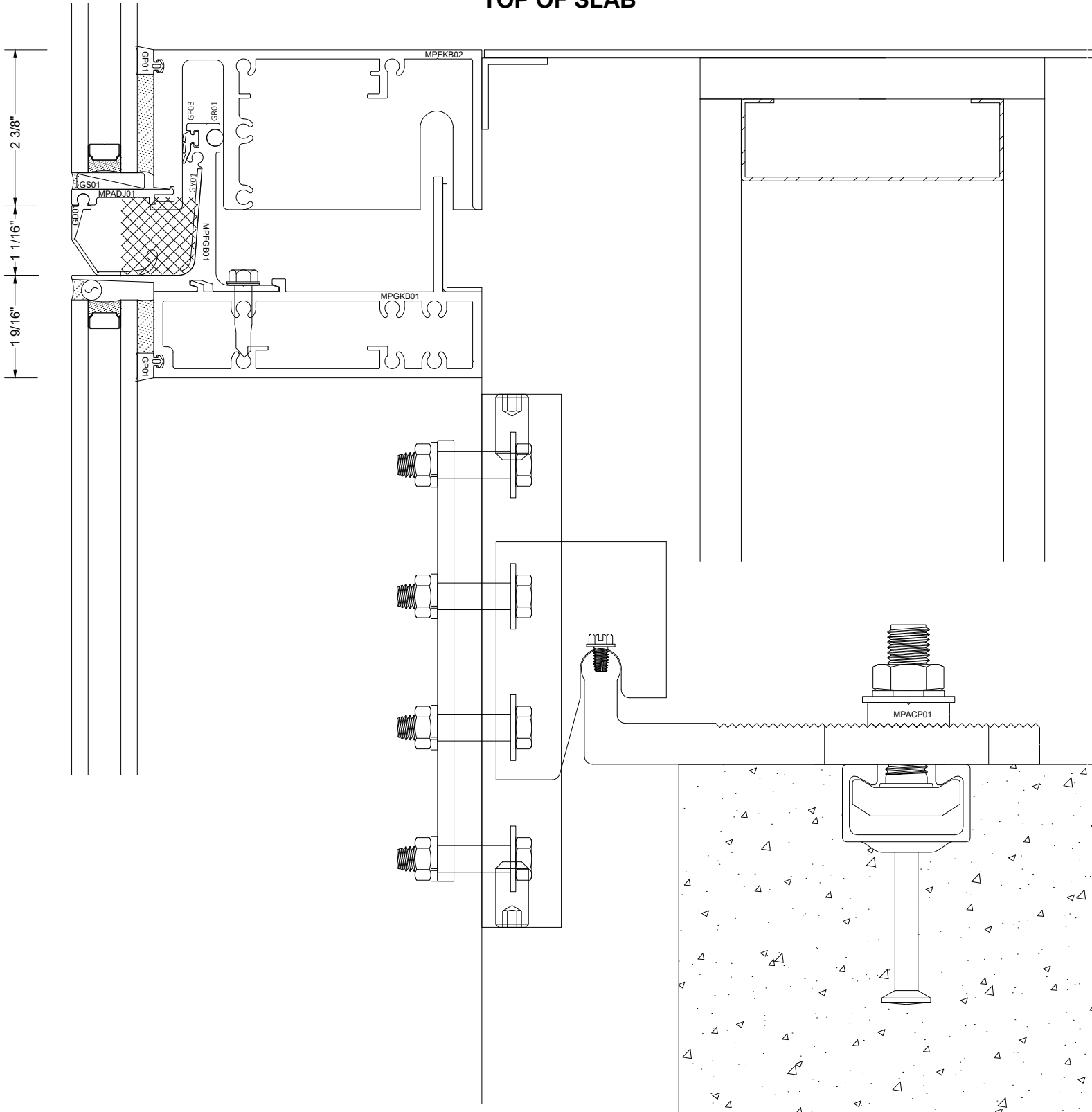


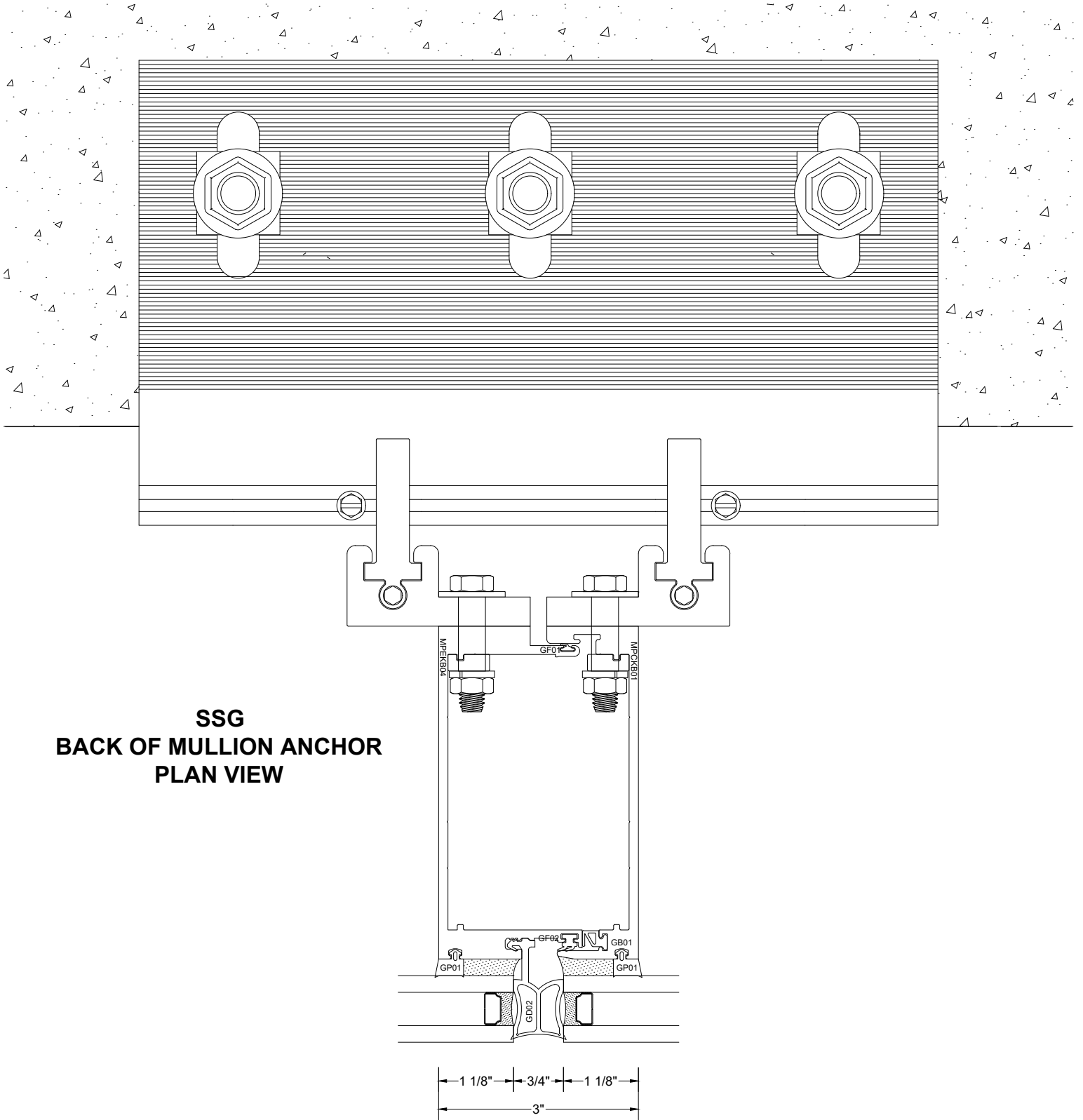


**SSG  
 BACK OF MULLION ANCHOR  
 PLAN VIEW**



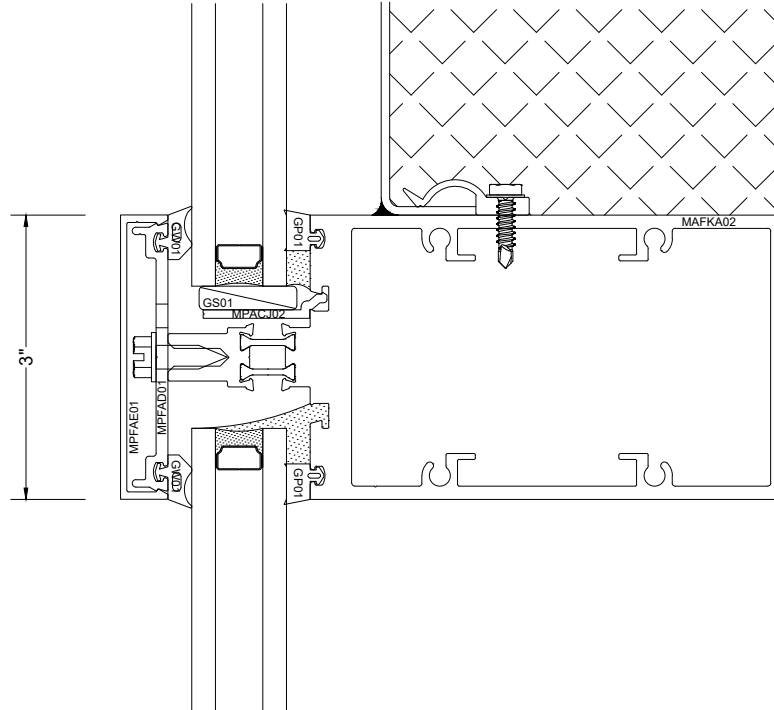
**SSG**  
**BACK OF MULLION ANCHOR**  
**TOP OF SLAB**





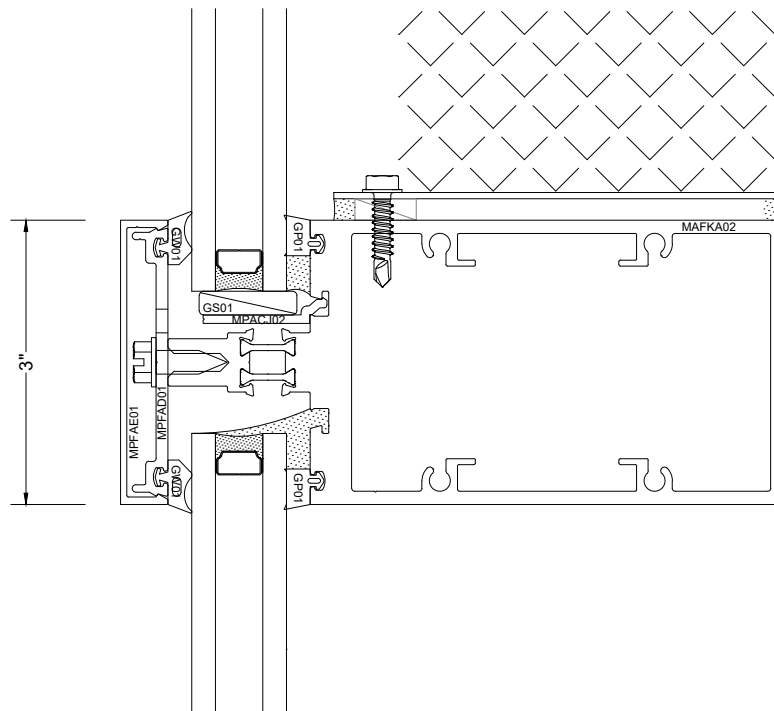
**SHADOW BOX  
 AND INSULATION**

**CAPTURED  
 HORIZONTAL**



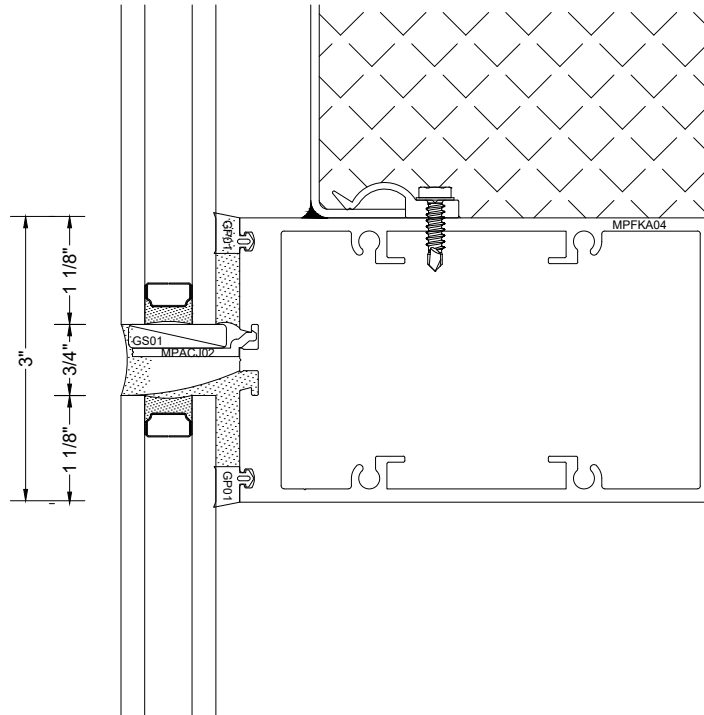
**BACKPAN  
 AND INSULATION**

**CAPTURED  
 HORIZONTAL**



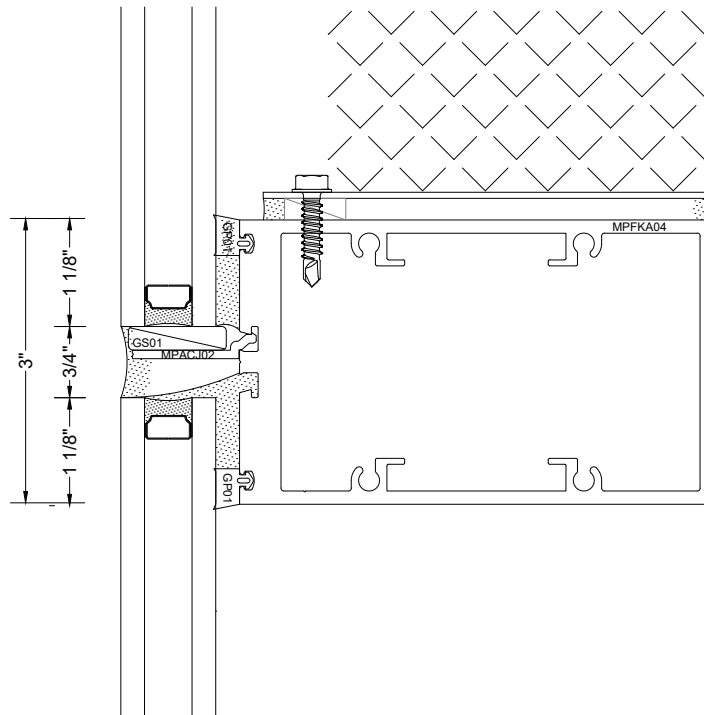
**SHADOW BOX  
 AND INSULATION**

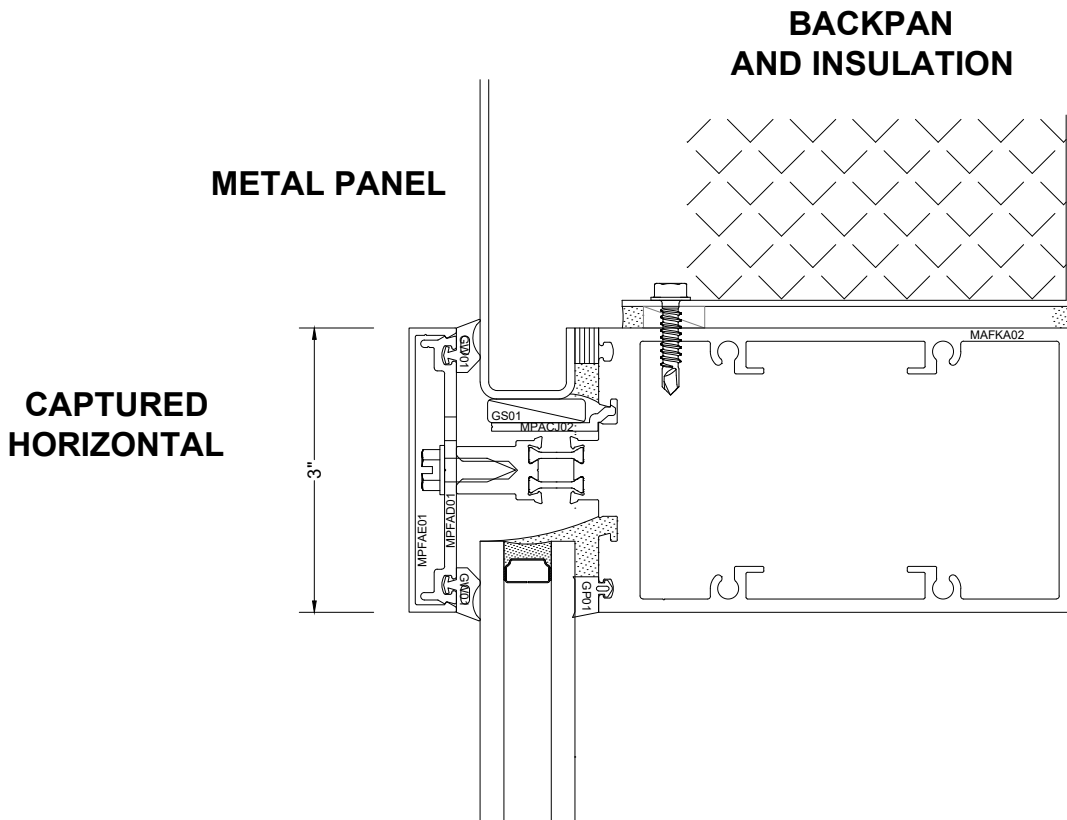
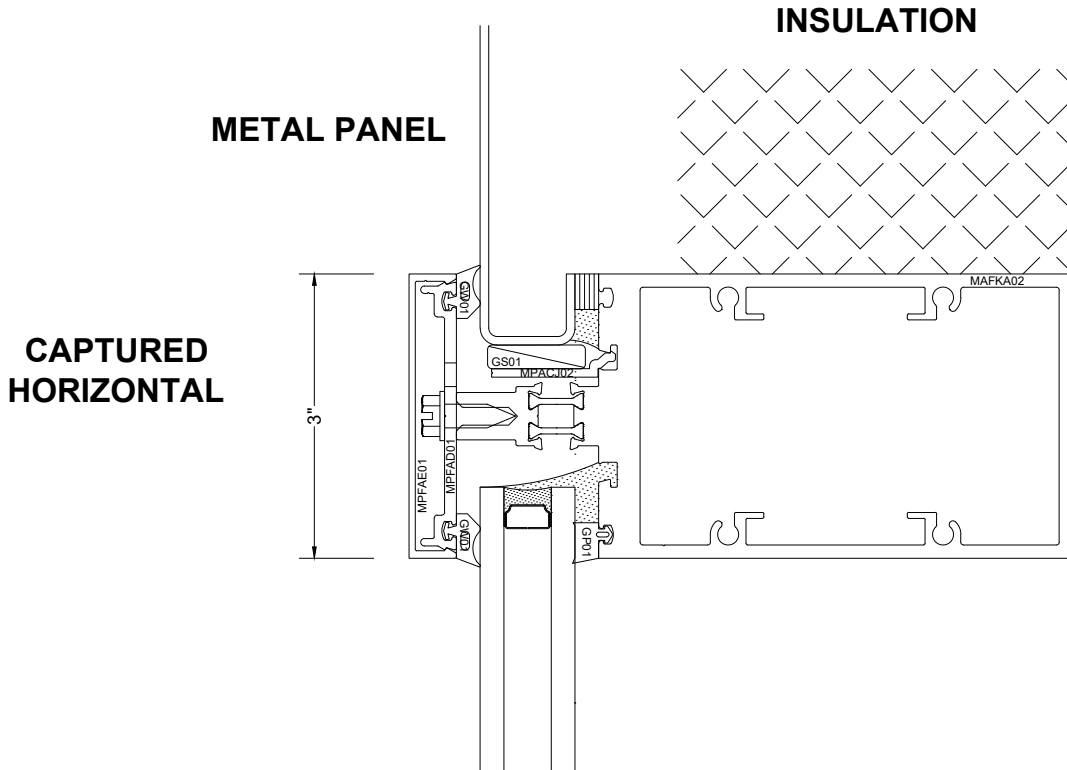
**SSG  
 HORIZONTAL**



**BACKPAN  
 AND INSULATION**

**SSG  
 HORIZONTAL**

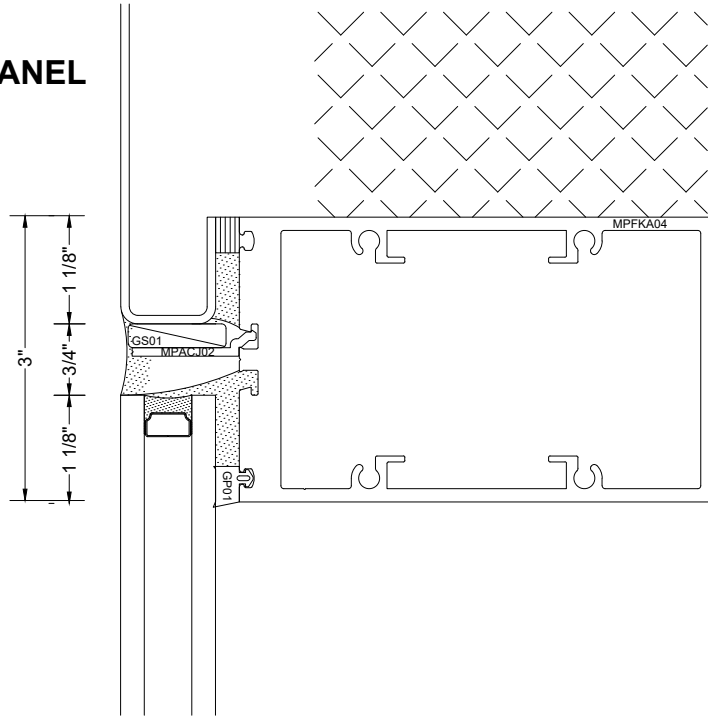




**INSULATION**

**METAL PANEL**

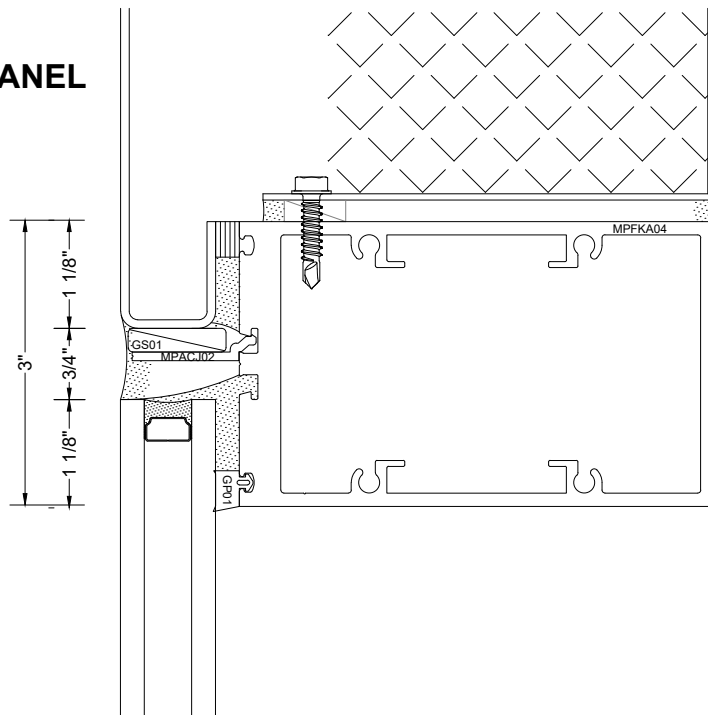
**SSG  
 HORIZONTAL**



**BACKPAN  
 AND INSULATION**

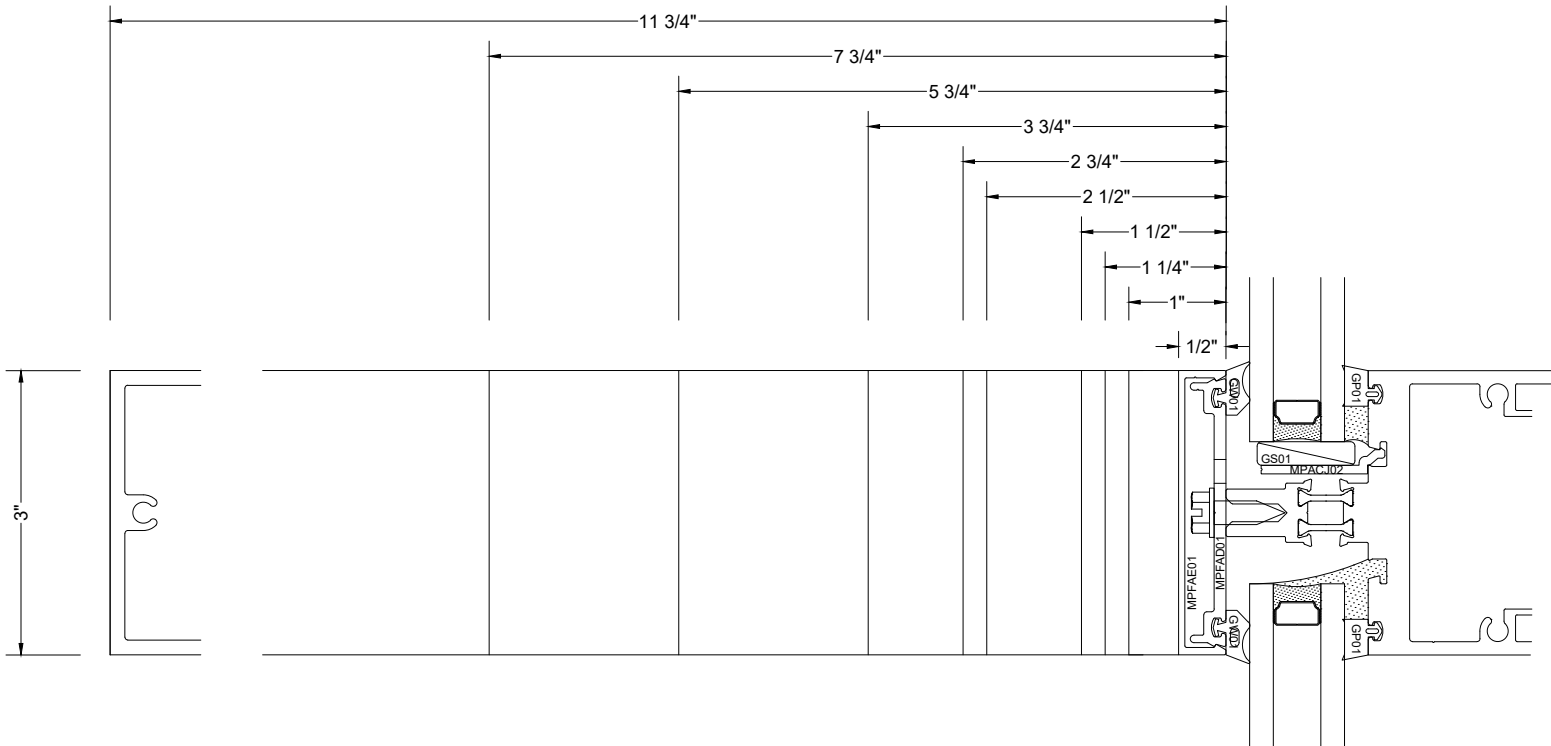
**METAL PANEL**

**SSG  
 HORIZONTAL**

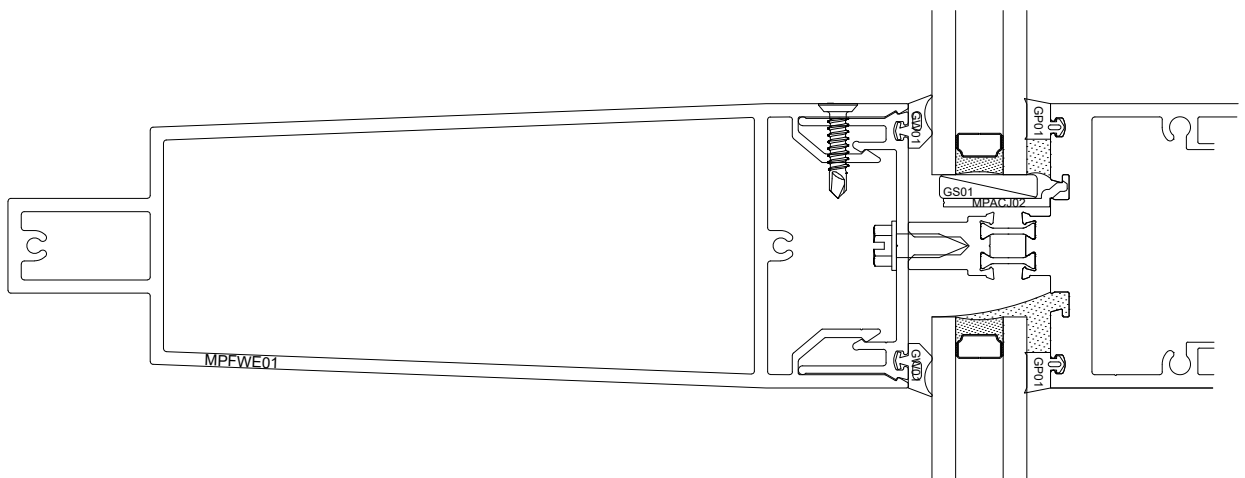




**EXTENDED COVERS**



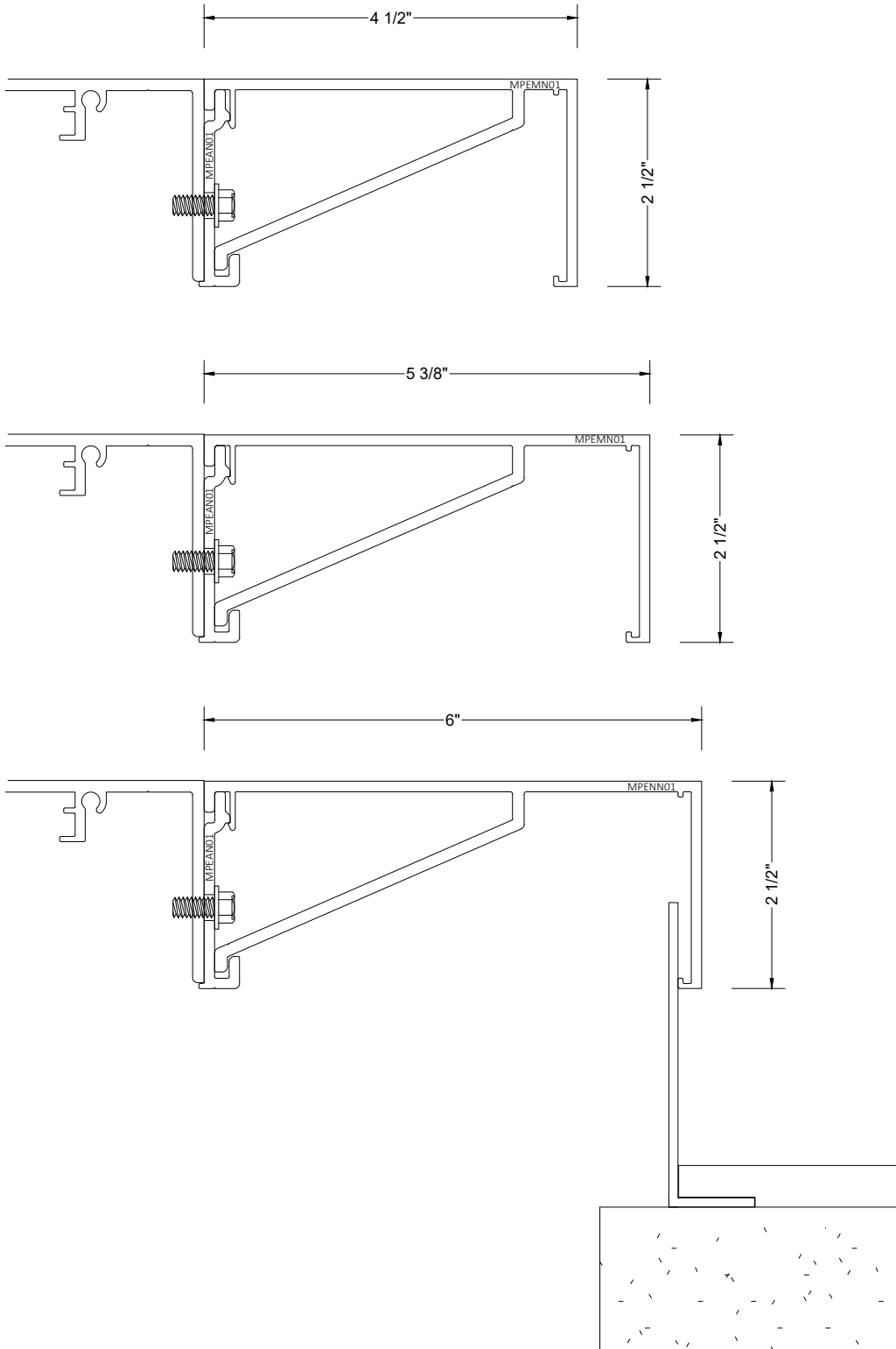
**CUSTOM SHAPES**



**NOTE:** Exterior covers extending more than 4" are secured to the pressure plate by fasteners or pins as determined by structural analysis.

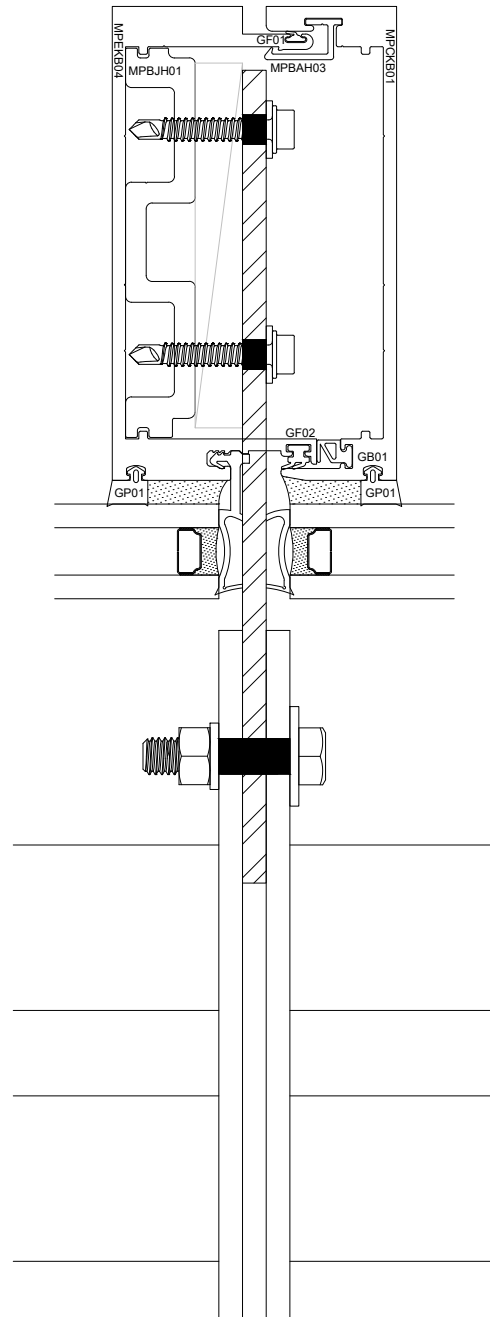
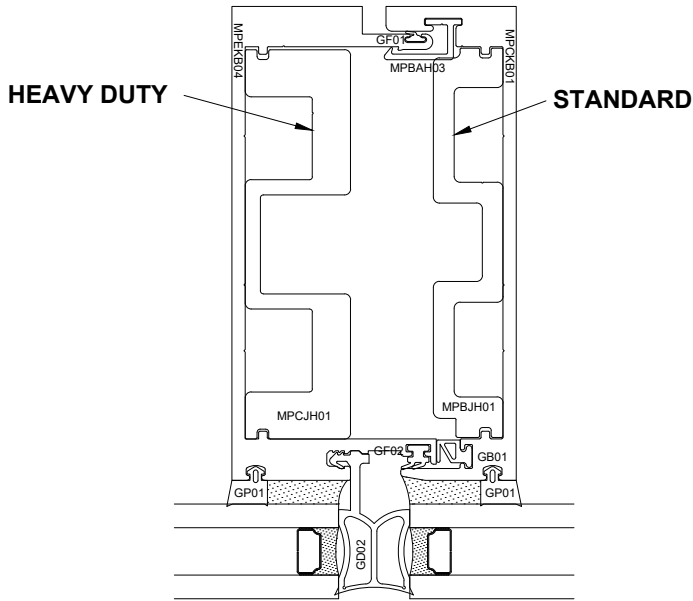
Contact a JR Butler representative for custom shapes.

**INTERIOR STOOL TRIM**

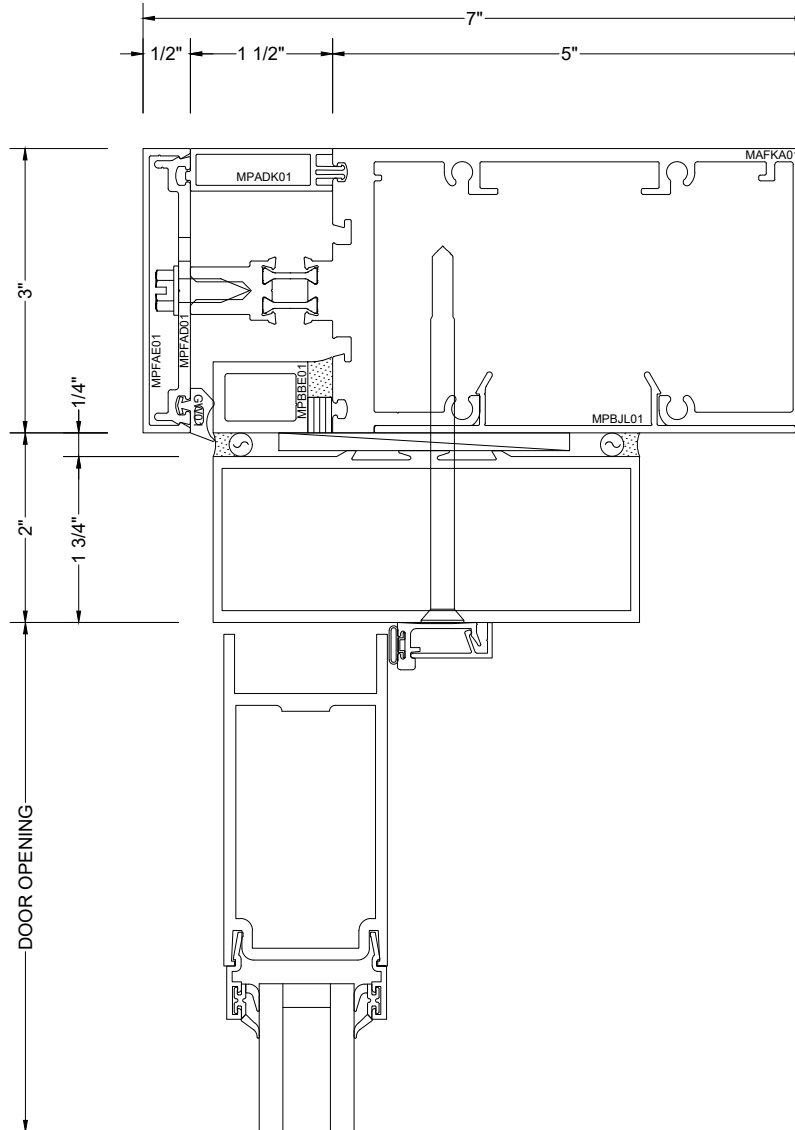


**INTERNAL REINFORCEMENT**

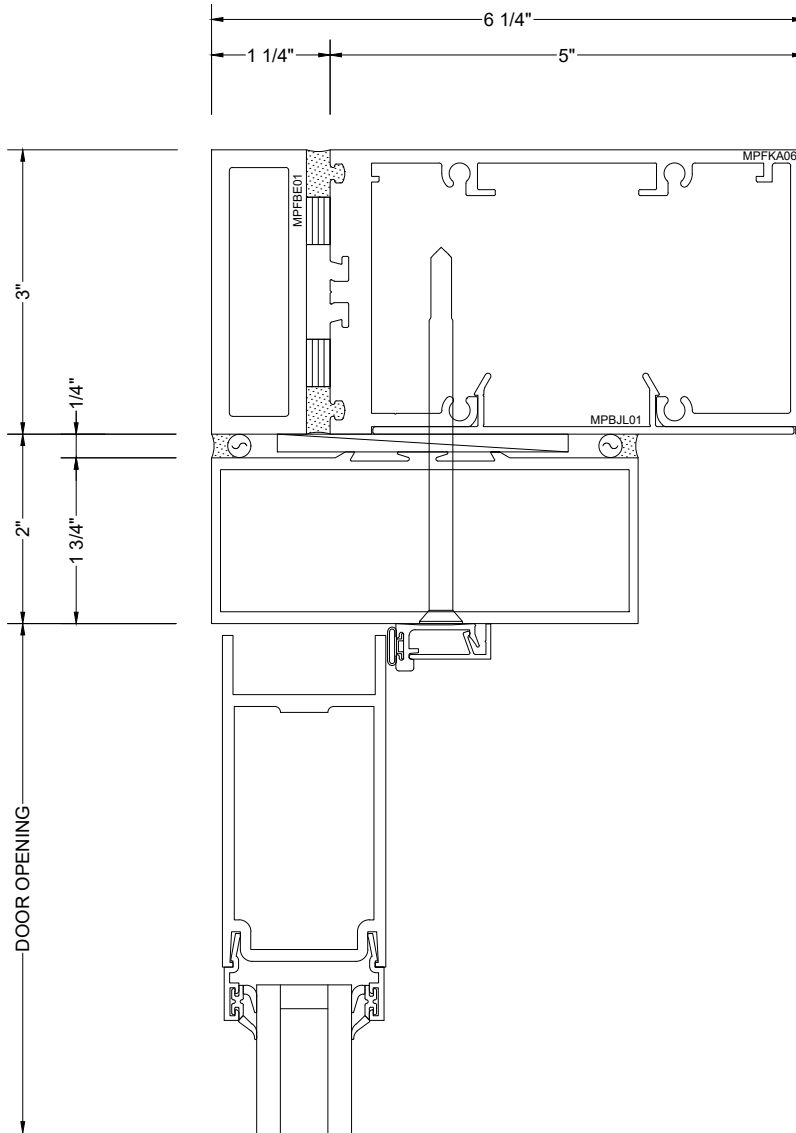
**SUNSHADE ATTACHMENT**



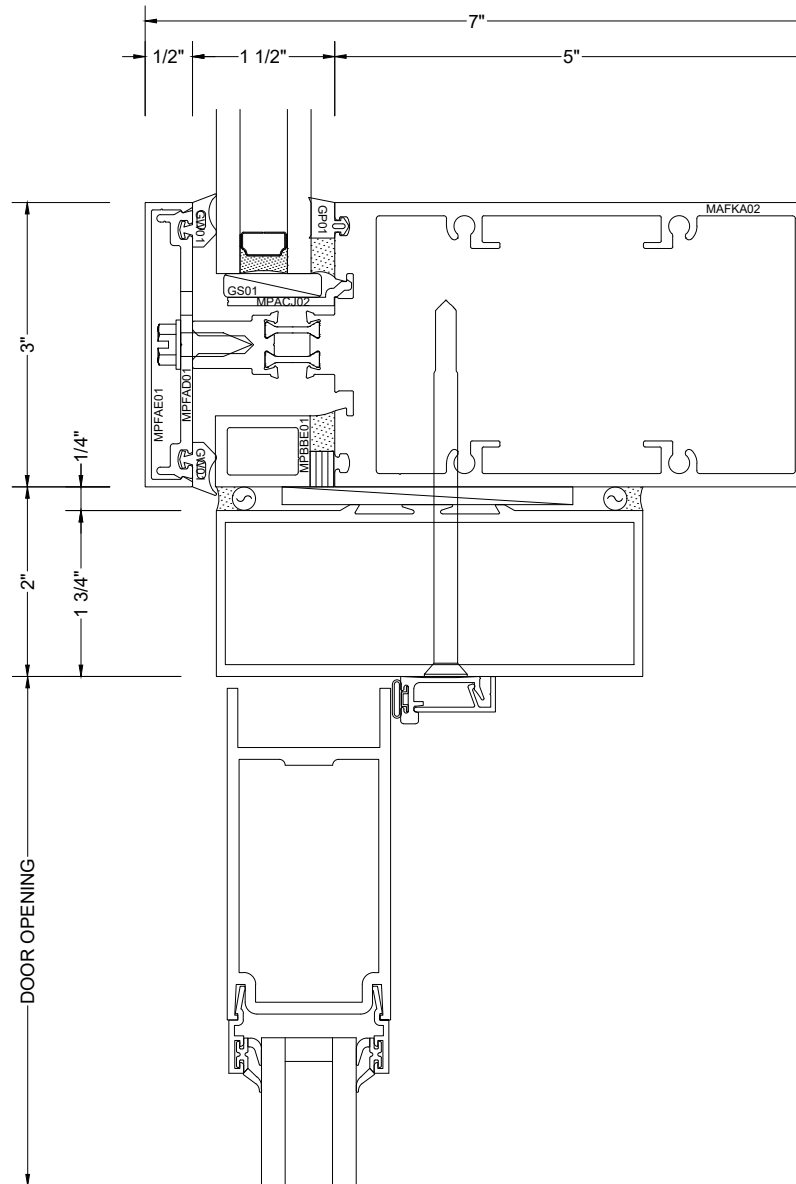
**HEAD CAPTURED**  
 PROJECT OUT ENTRANCE



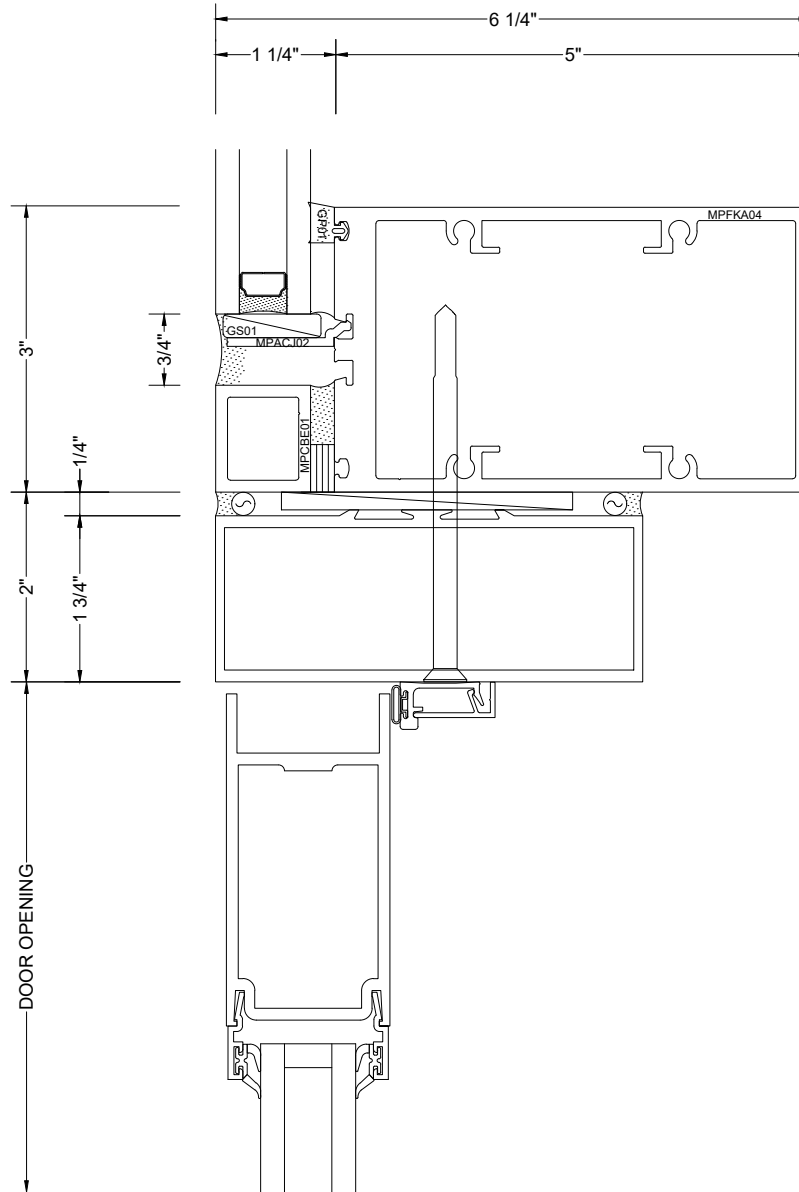
**HEAD SSG**  
 PROJECT OUT ENTRANCE



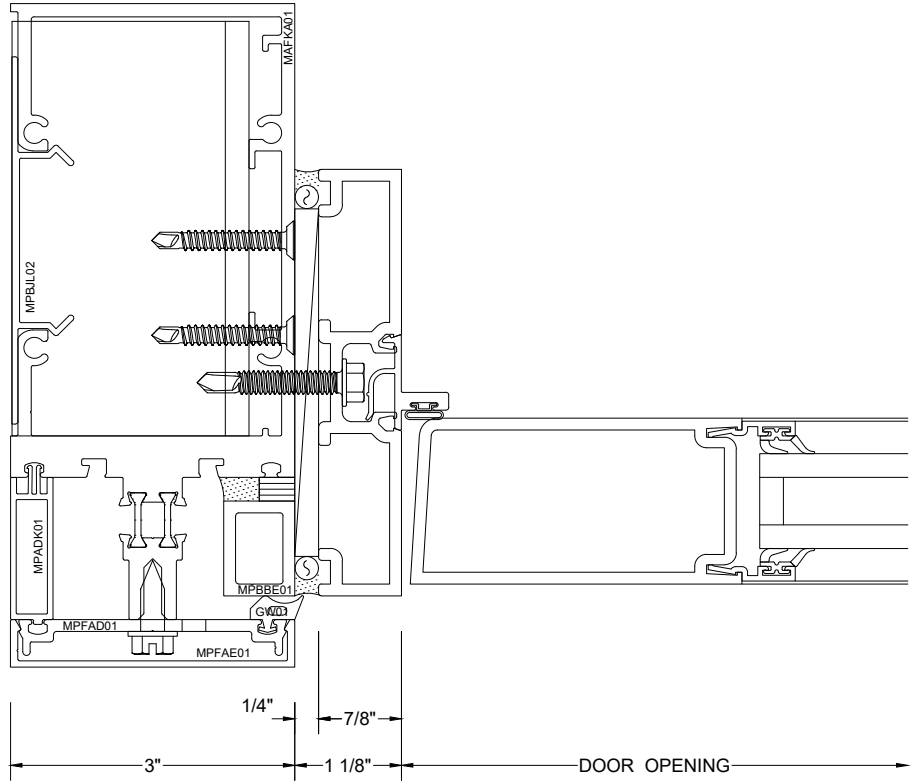
**HORIZONTAL CAPTURED  
 PROJECT OUT ENTRANCE**



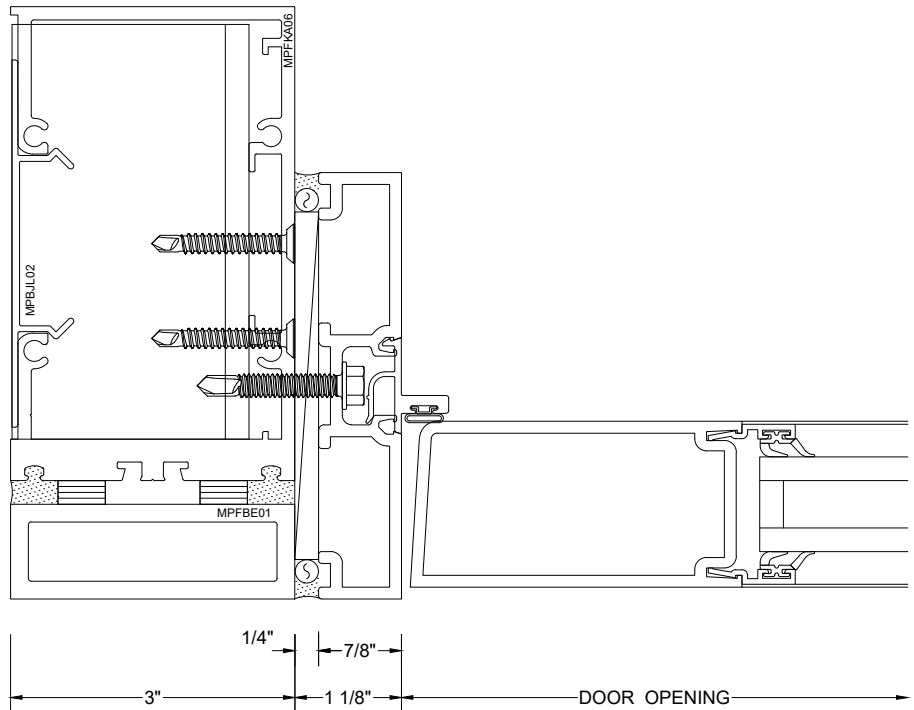
**HORIZONTAL SSG**  
 PROJECT OUT ENTRANCE



**JAMB CAPTURED**  
 PROJECT OUT ENTRANCE

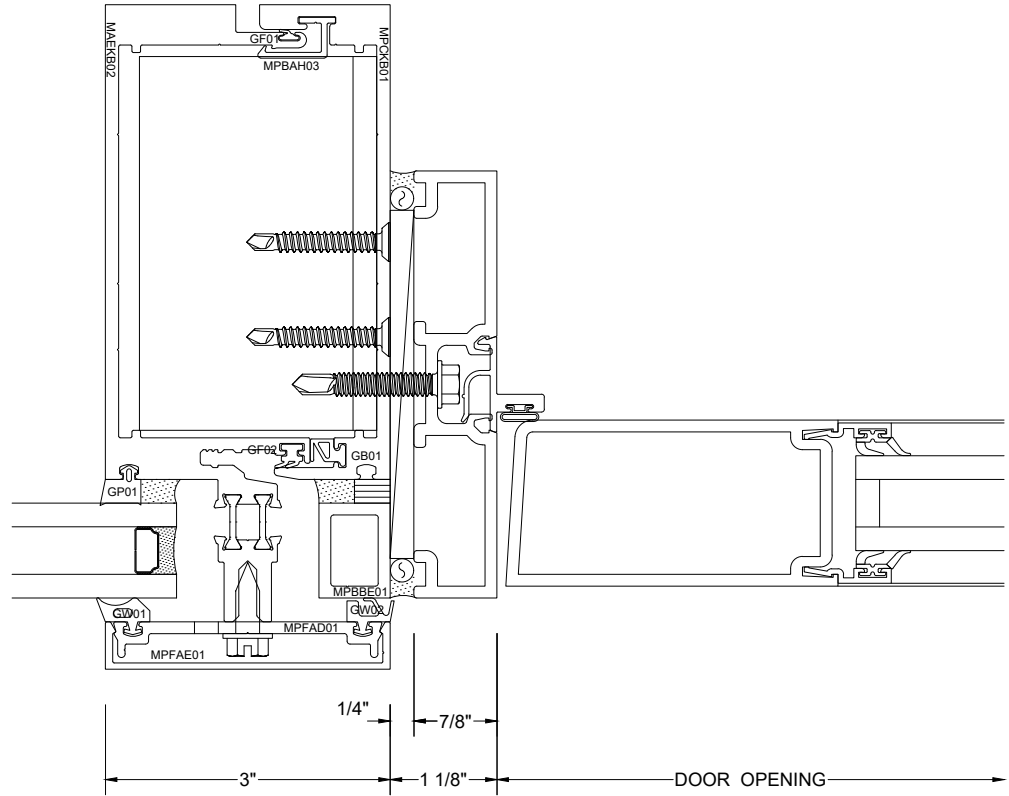


**JAMB SSG**  
 PROJECT OUT ENTRANCE

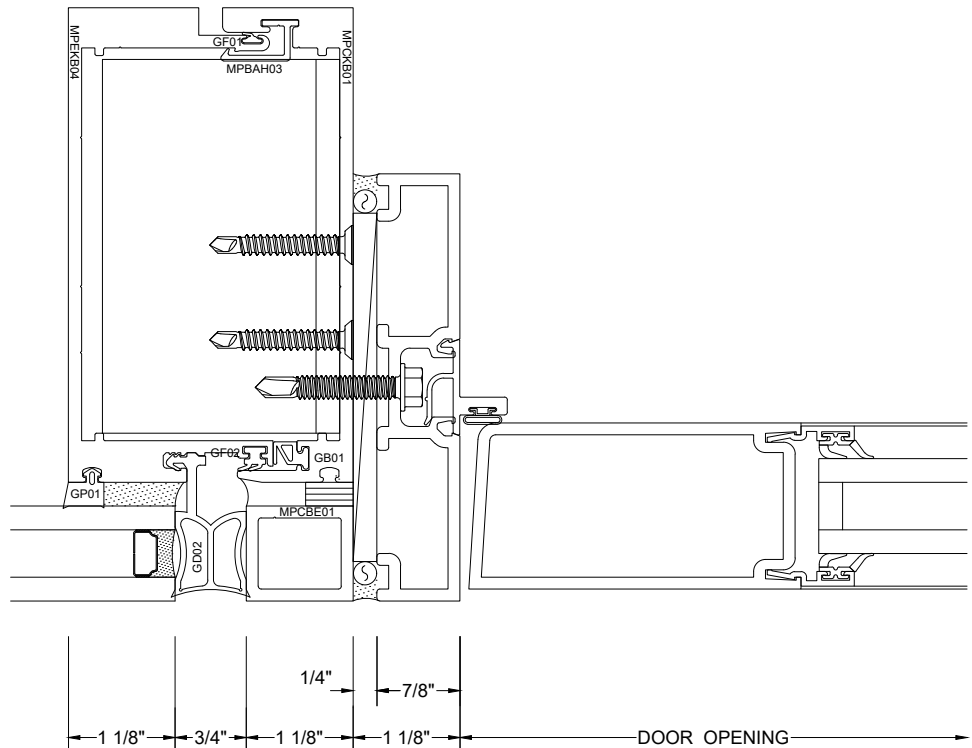




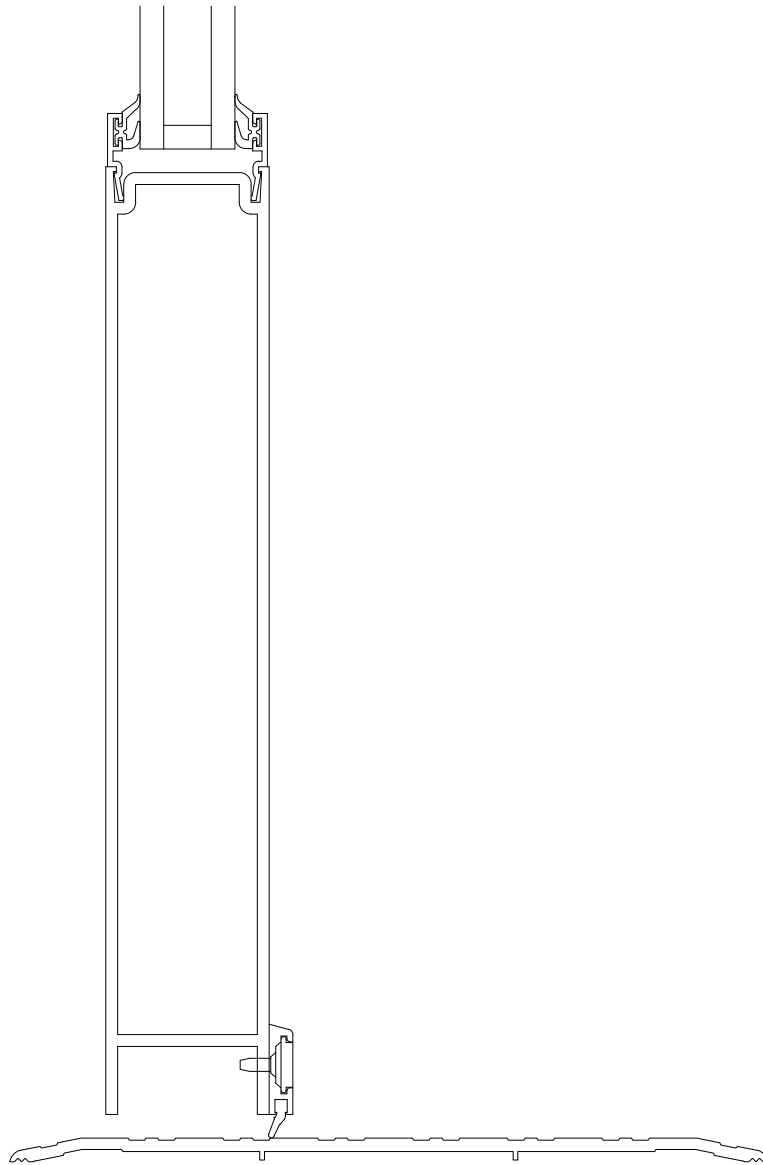
**VERTICAL CAPTURED  
 PROJECT OUT ENTRANCE**



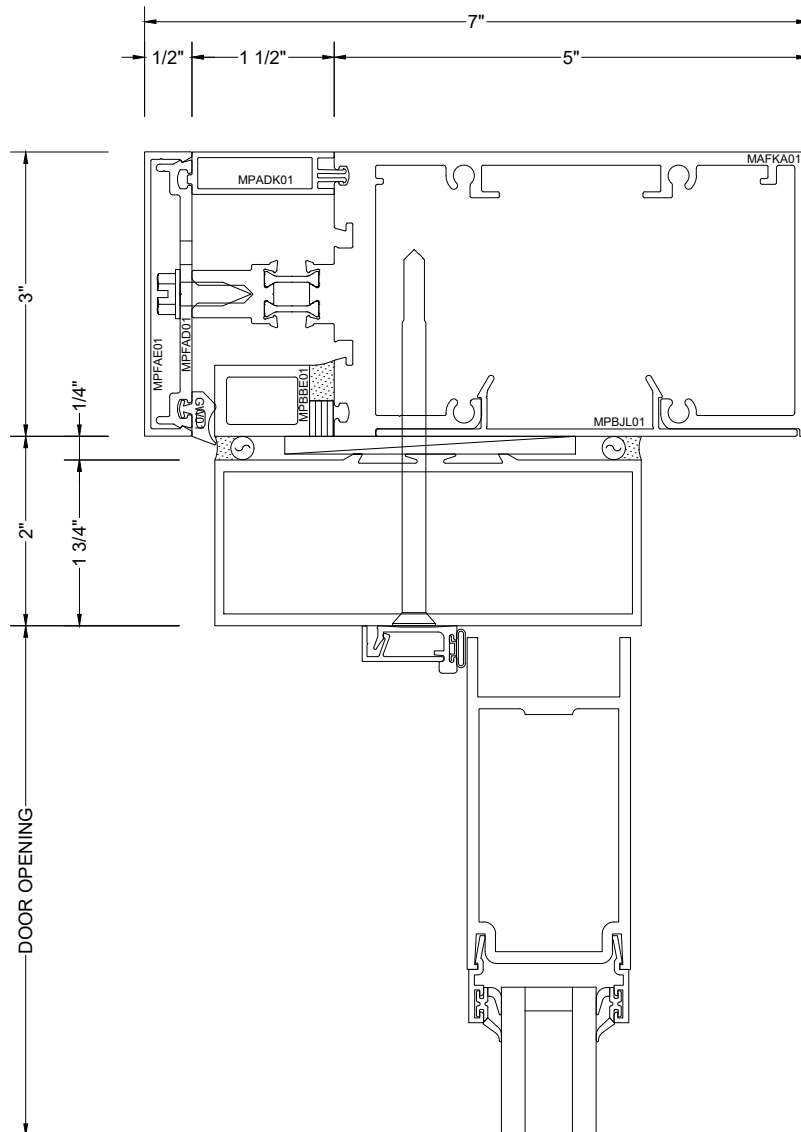
**VERTICAL SSG  
 PROJECT OUT ENTRANCE**



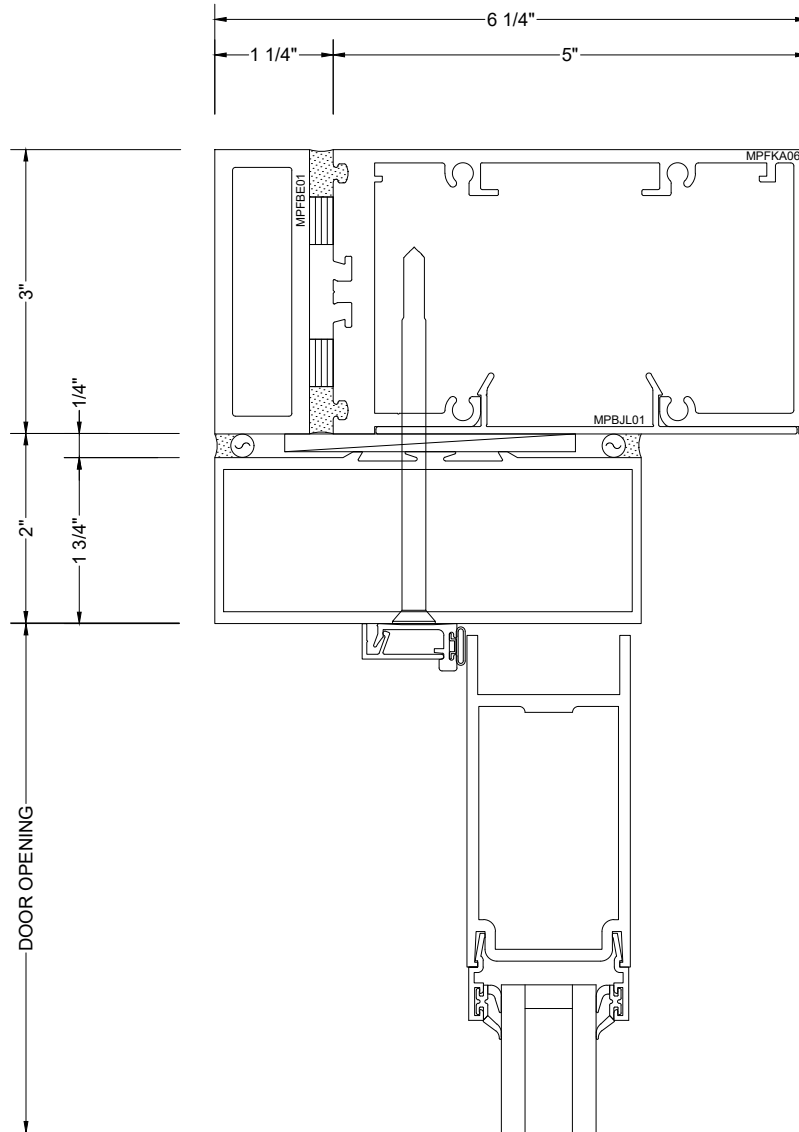
**SILL**  
PROJECT OUT ENTRANCE



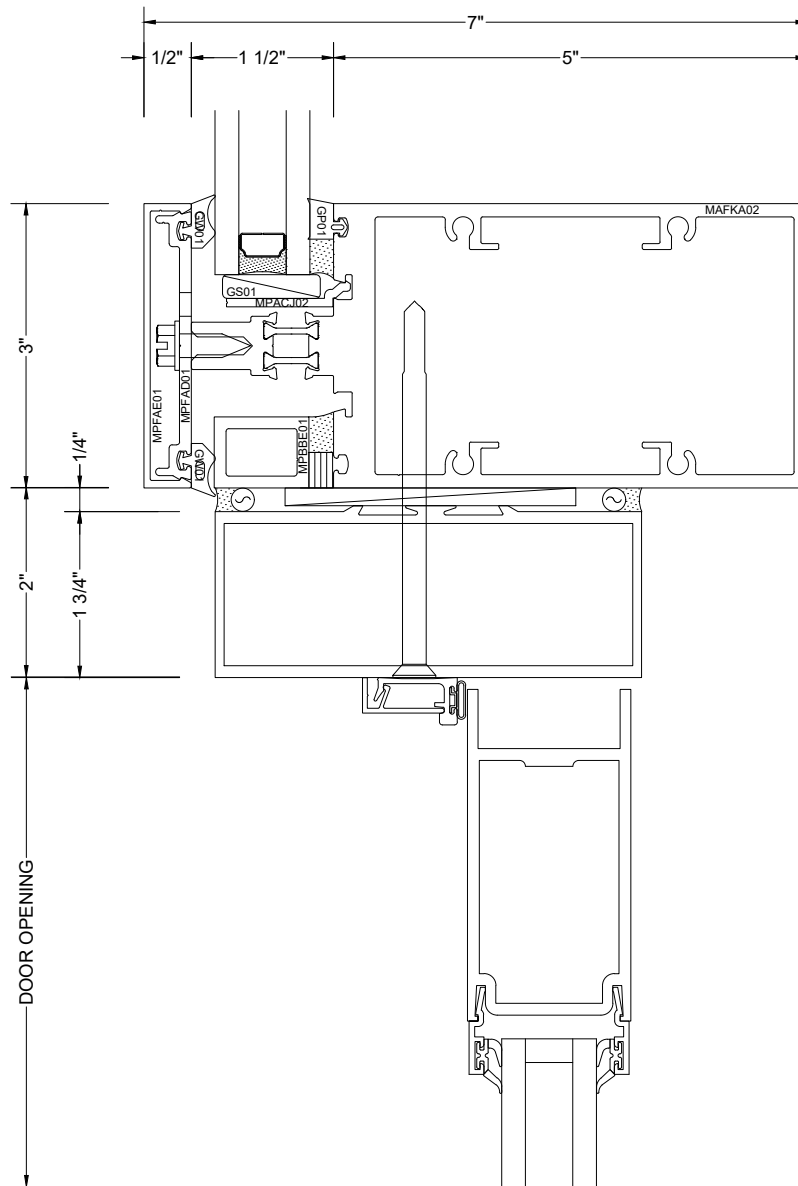
**HEAD CAPTURED**  
 PROJECT IN ENTRANCE



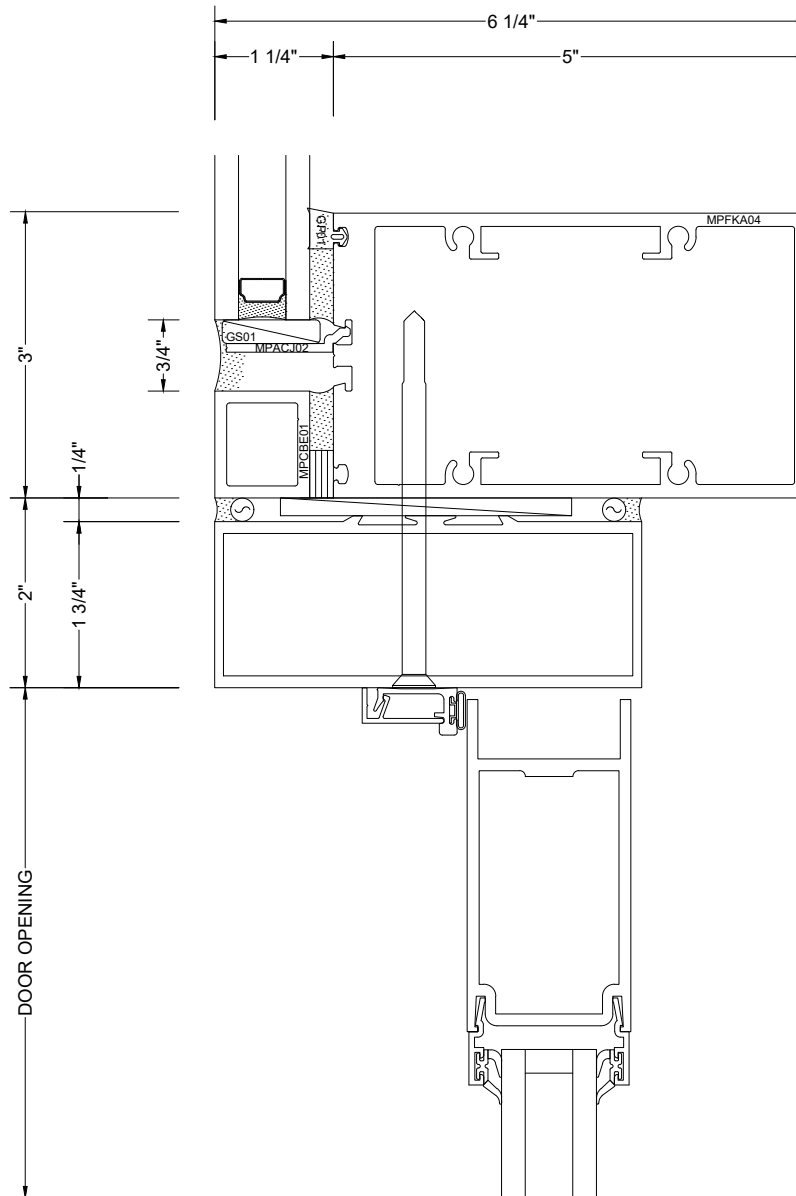
**HEAD SSG**  
 PROJECT IN ENTRANCE



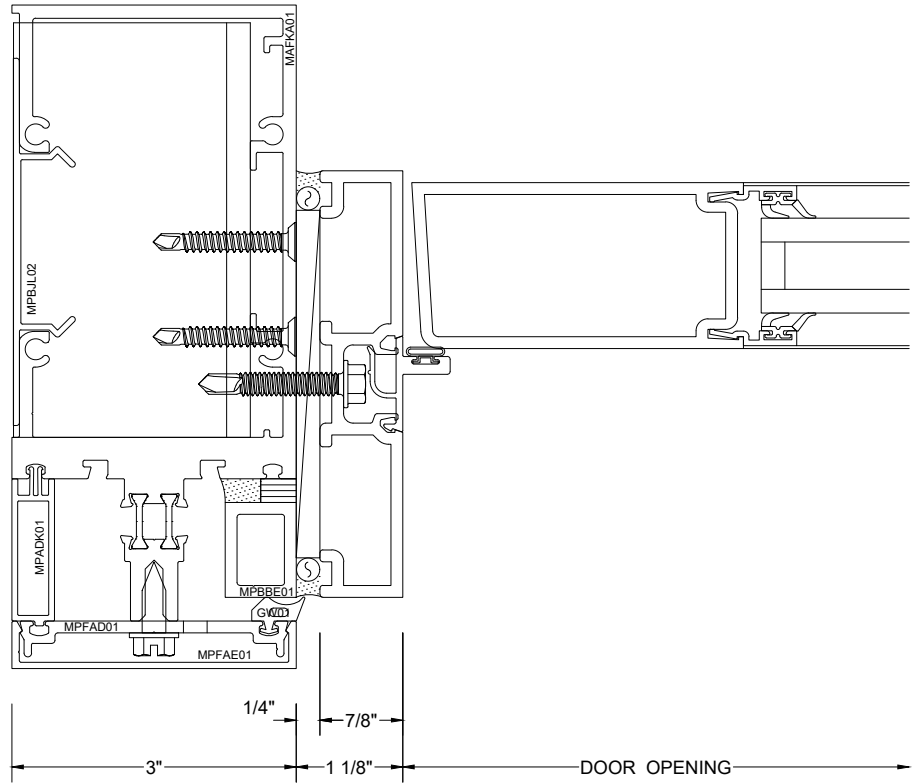
**HORIZONTAL CAPTURED  
 PROJECT IN ENTRANCE**



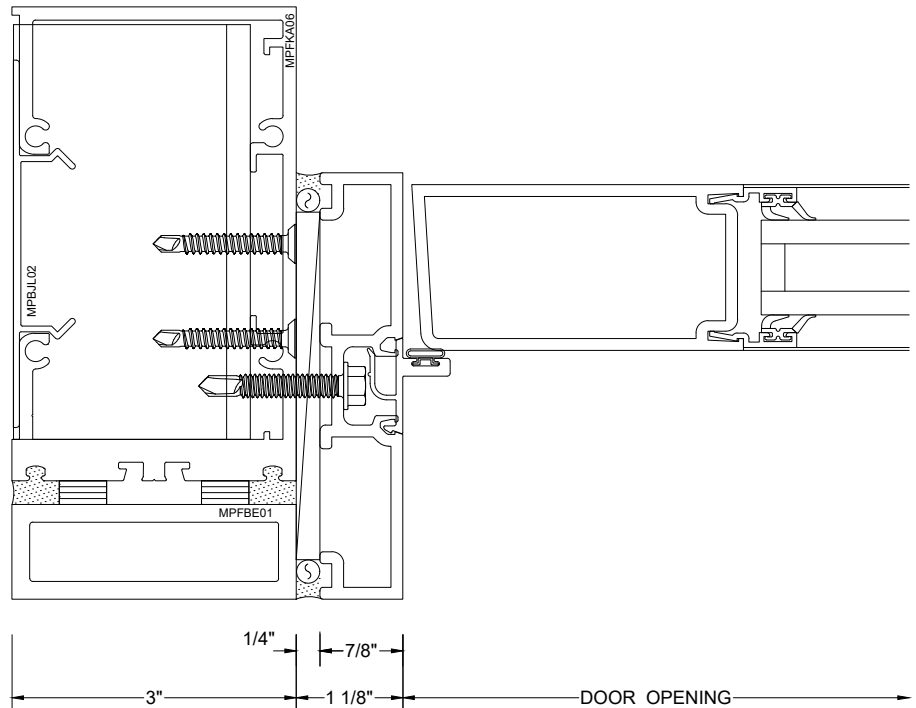
**HORIZONTAL SSG**  
 PROJECT IN ENTRANCE



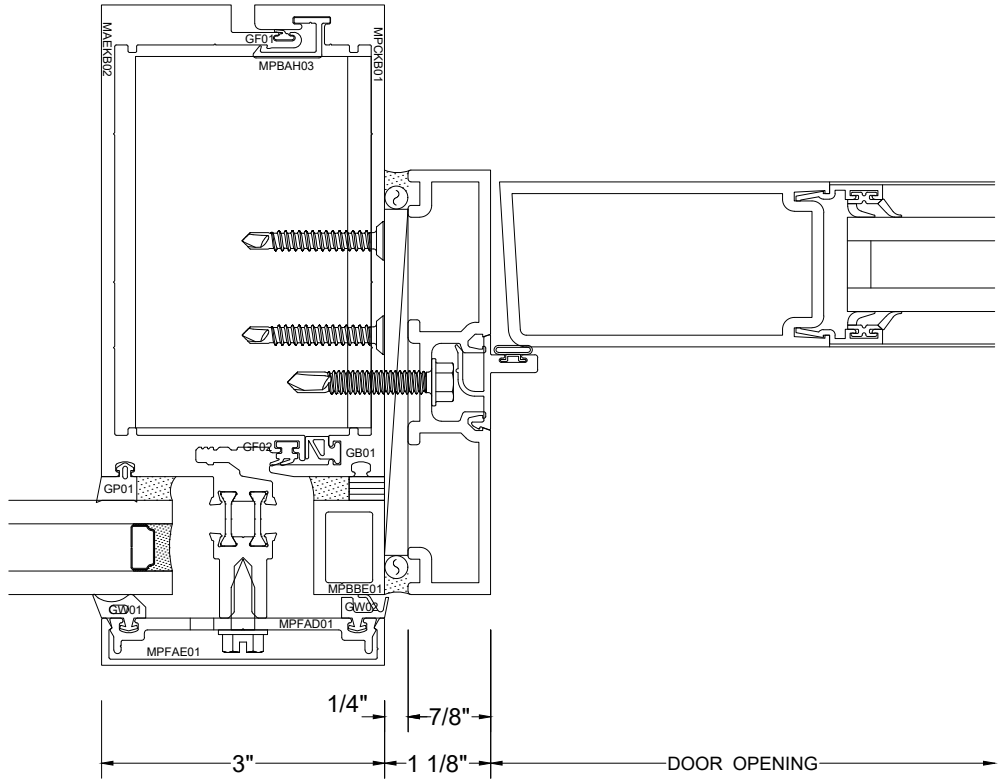
**JAMB CAPTURED**  
 PROJECT IN ENTRANCE



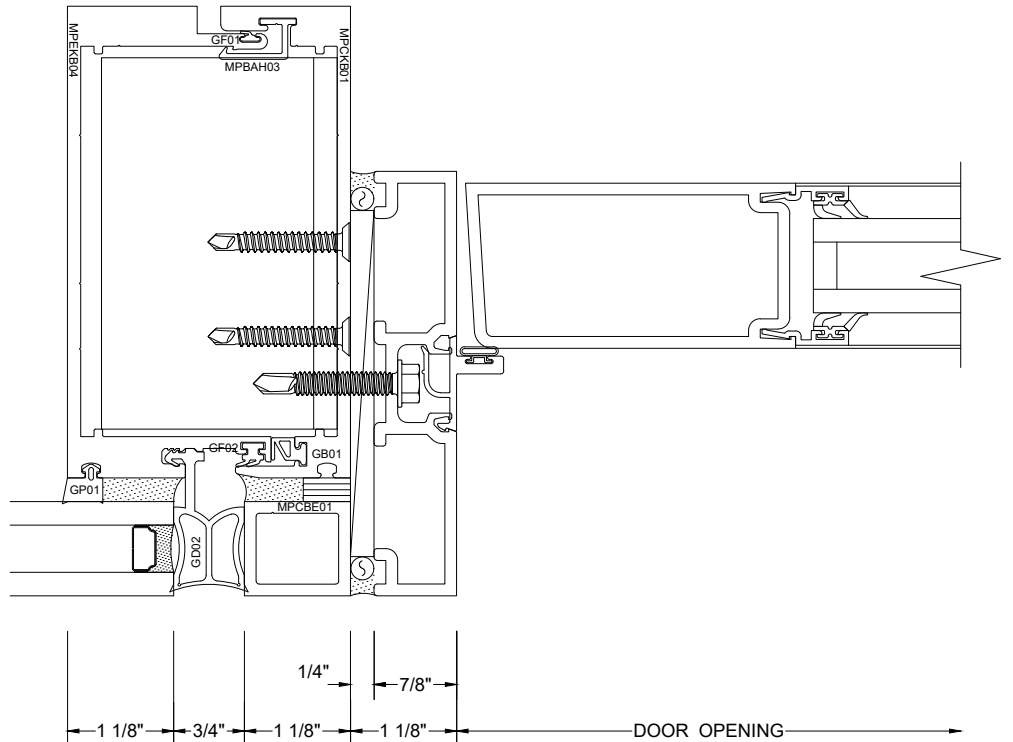
**JAMB SSG**  
 PROJECT IN ENTRANCE



**VERTICAL CAPTURED  
 PROJECT IN ENTRANCE**



**VERTICAL SSG  
 PROJECT IN ENTRANCE**





**SILL**  
PROJECT IN ENTRANCE

