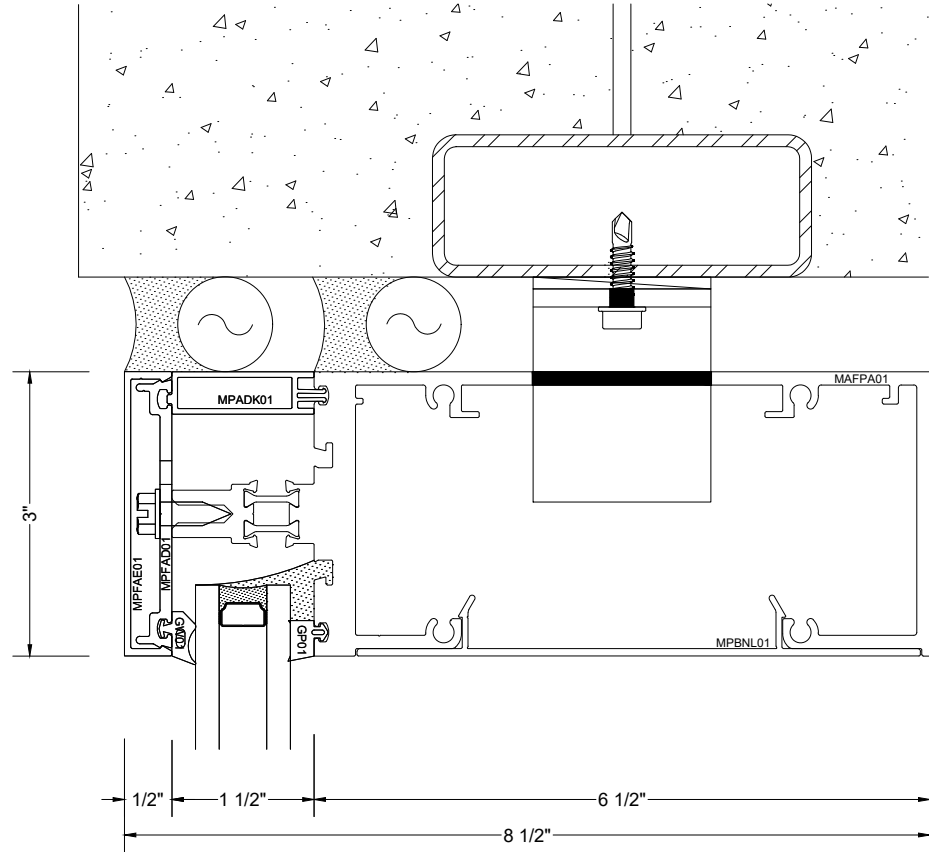


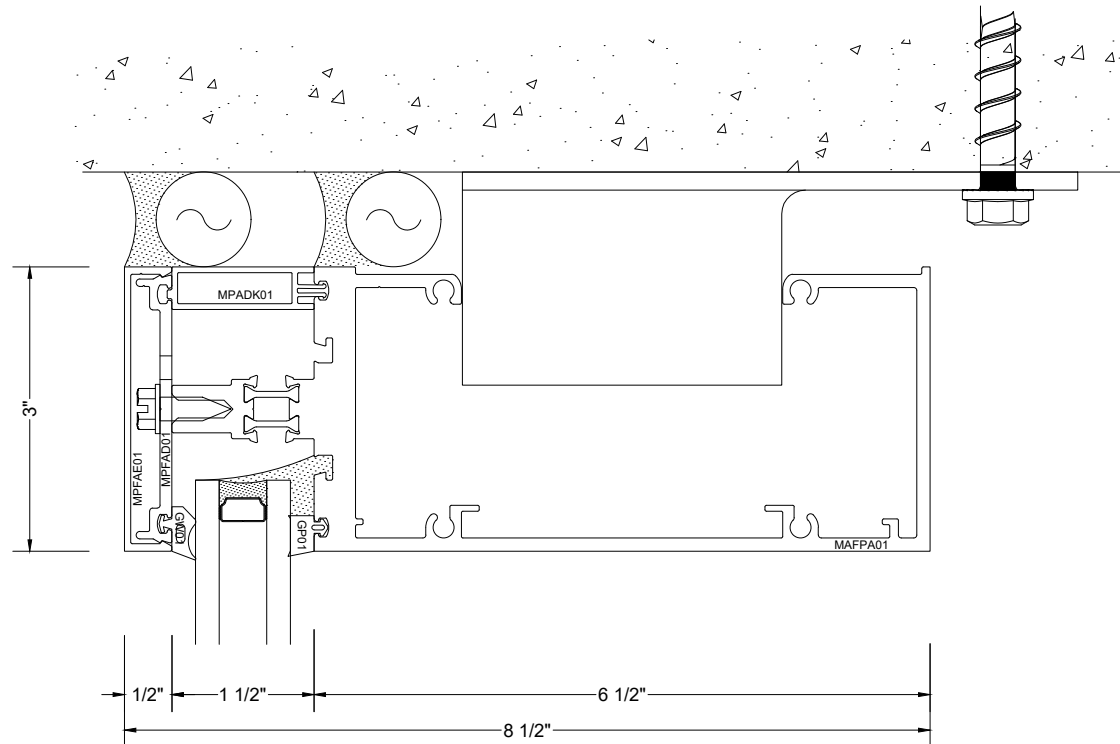
## SECTION CONTENTS

<u>DETAIL</u>	<u>PAGES</u>
Heads _____	3-4
Sills _____	5-8
Horizontals _____	9-10
Unit Stacks _____	11-12
Jambs _____	13
Vertical Stacks _____	14
Corners _____	15-17
Insert Vents _____	18-20
Captured Unit Stack Anchors at Slab _____	21-28
SSG Unit Stack Anchors at Slab _____	29-36
Shadow box and backpan _____	37-38
Metal panel _____	39-40
Cover options _____	41
Stool trim _____	42
Reinforcement and sunshade blade _____	43
Entrance Doors (PO) _____	44-50
Entrance Doors (PI) _____	51-57

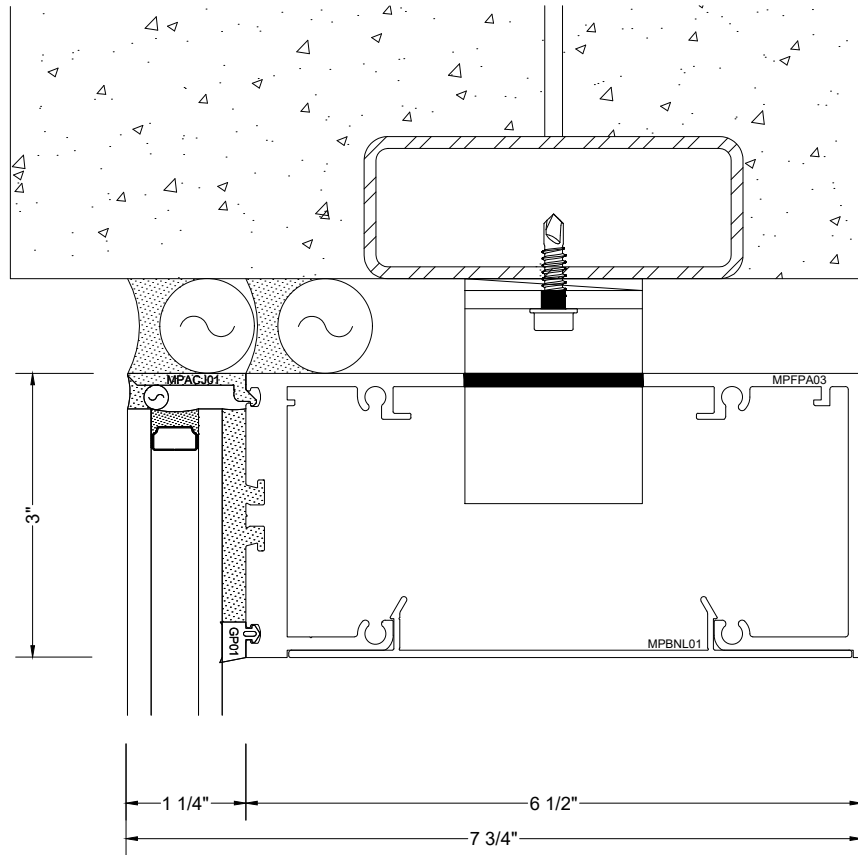
**1 HEAD CAPTURED**  
 OPEN BACK DOWN  
 WITH COVER



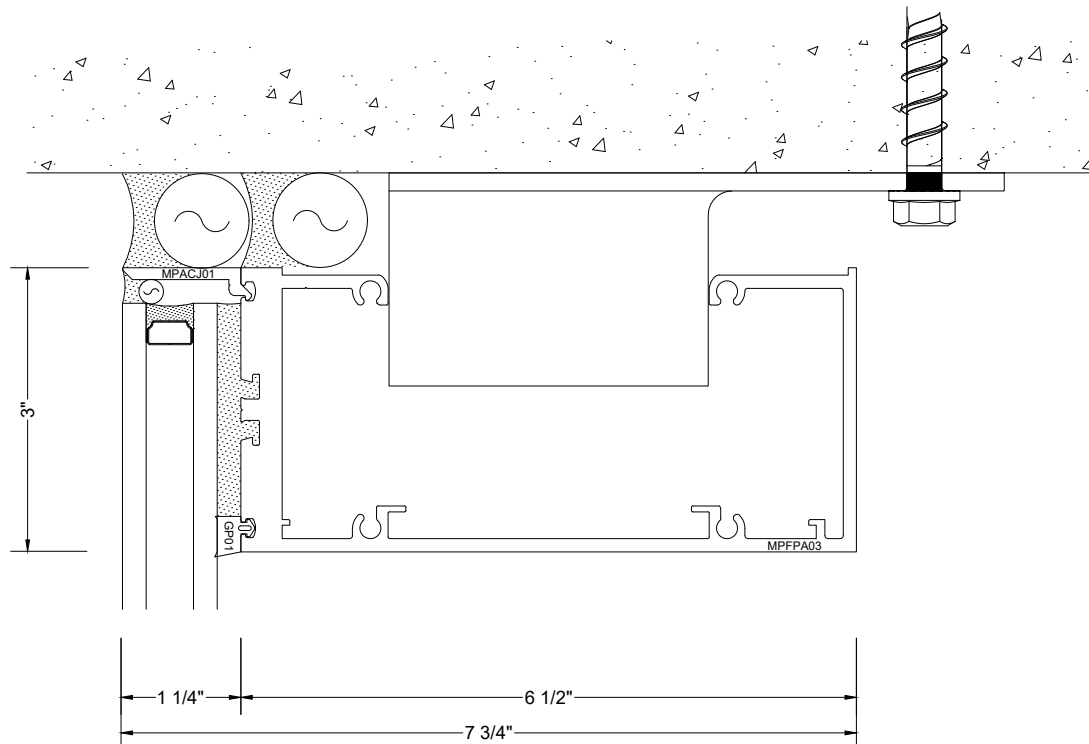
**1A HEAD CAPTURED**  
 OPEN BACK UP



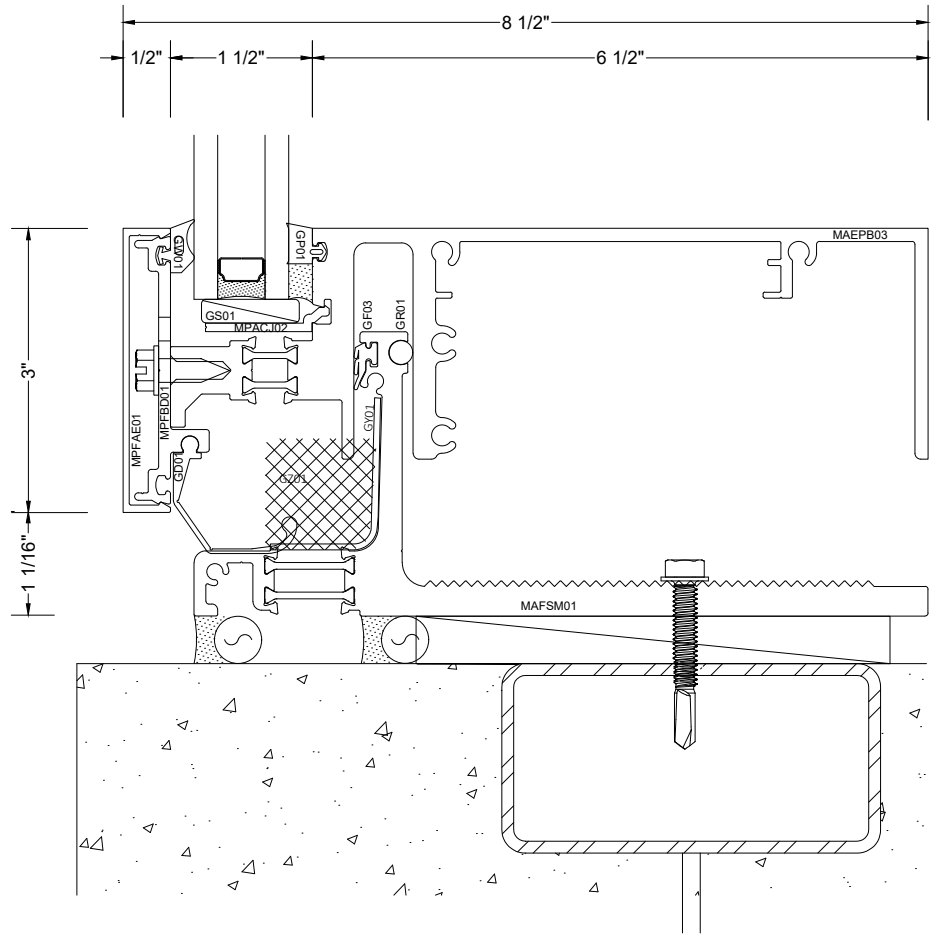
**2** HEAD SSG  
 OPEN BACK DOWN  
 WITH COVER



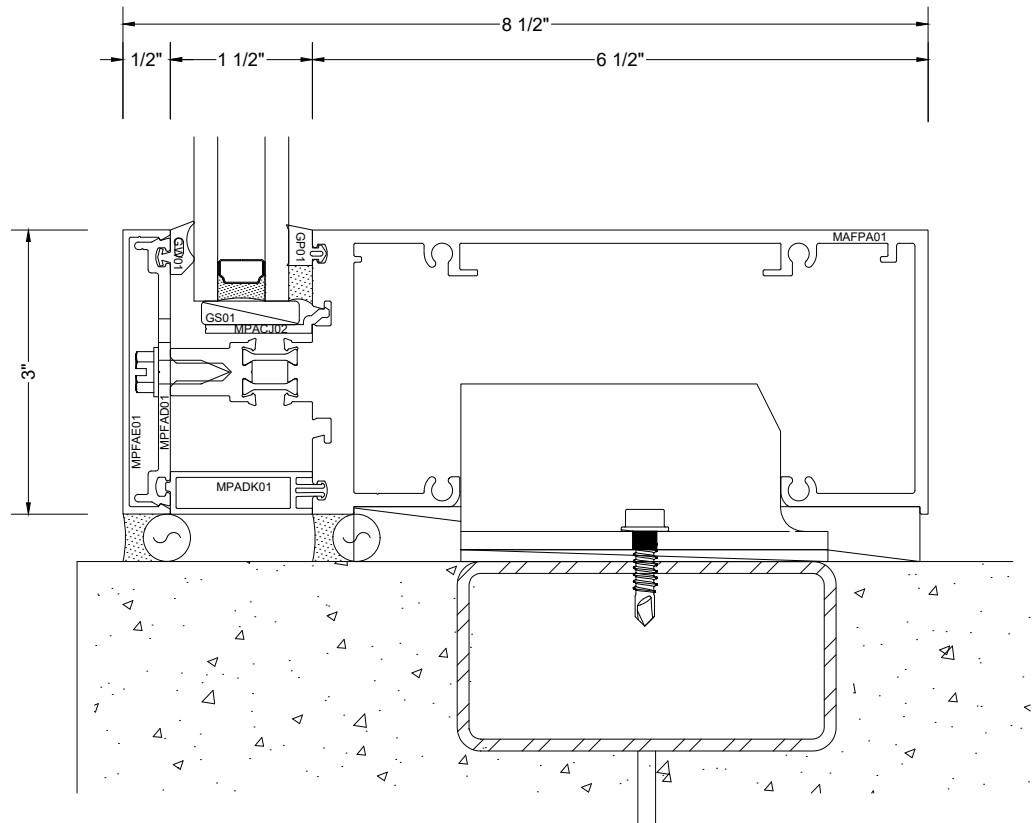
**2A** HEAD SSG  
 OPEN BACK UP



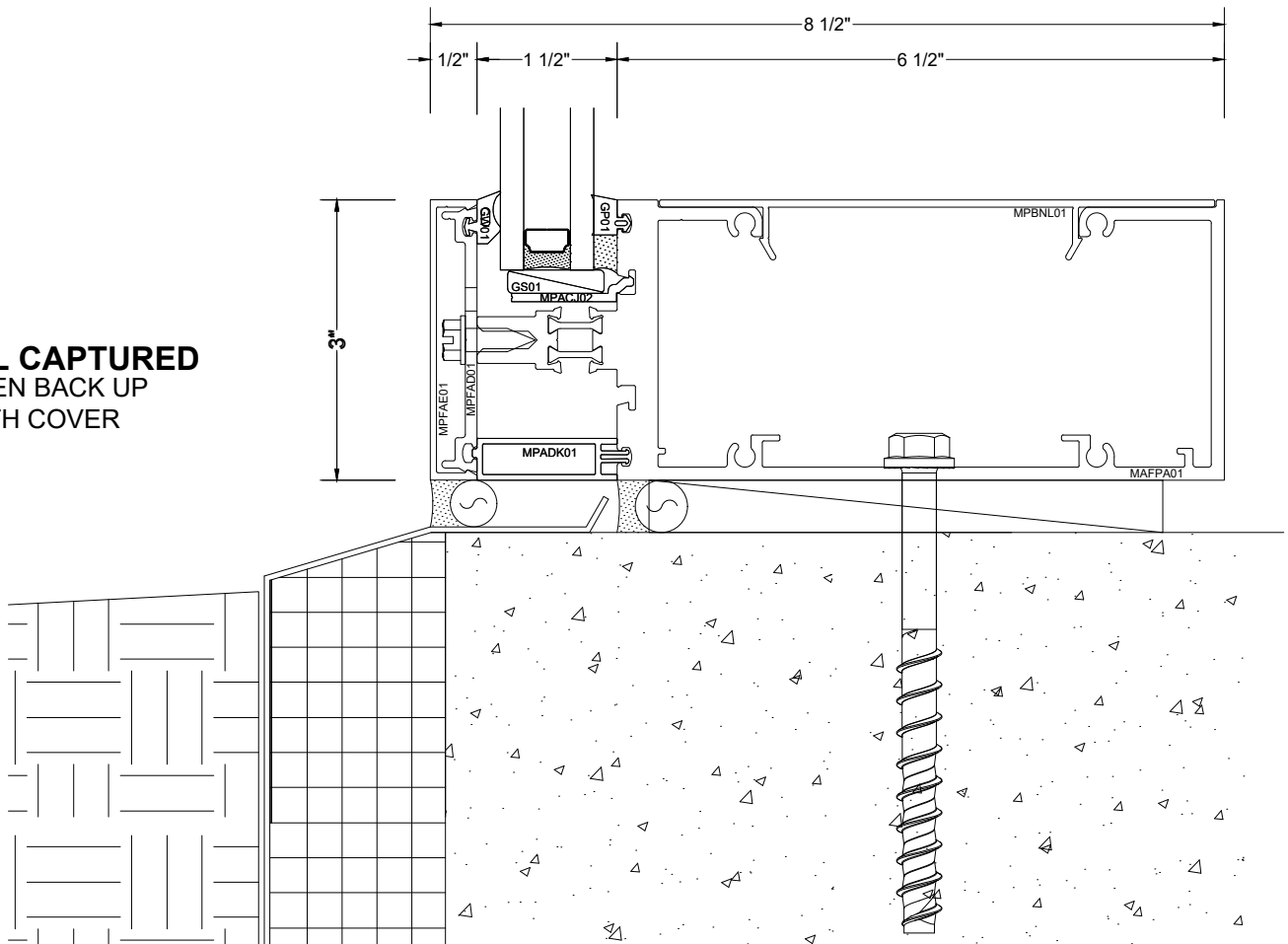
**3** SILL CAPTURED  
 STARTER



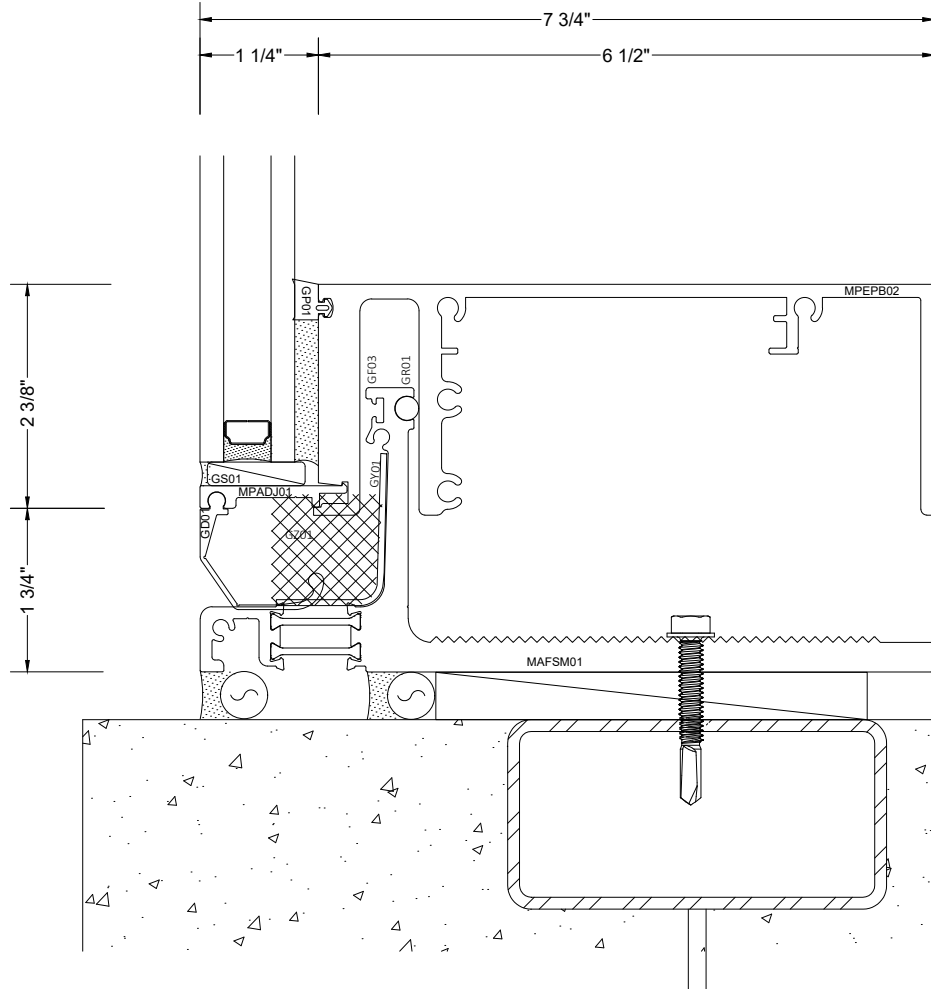
**3A** SILL CAPTURED  
 OPEN BACK DOWN  
 WITH CLIP



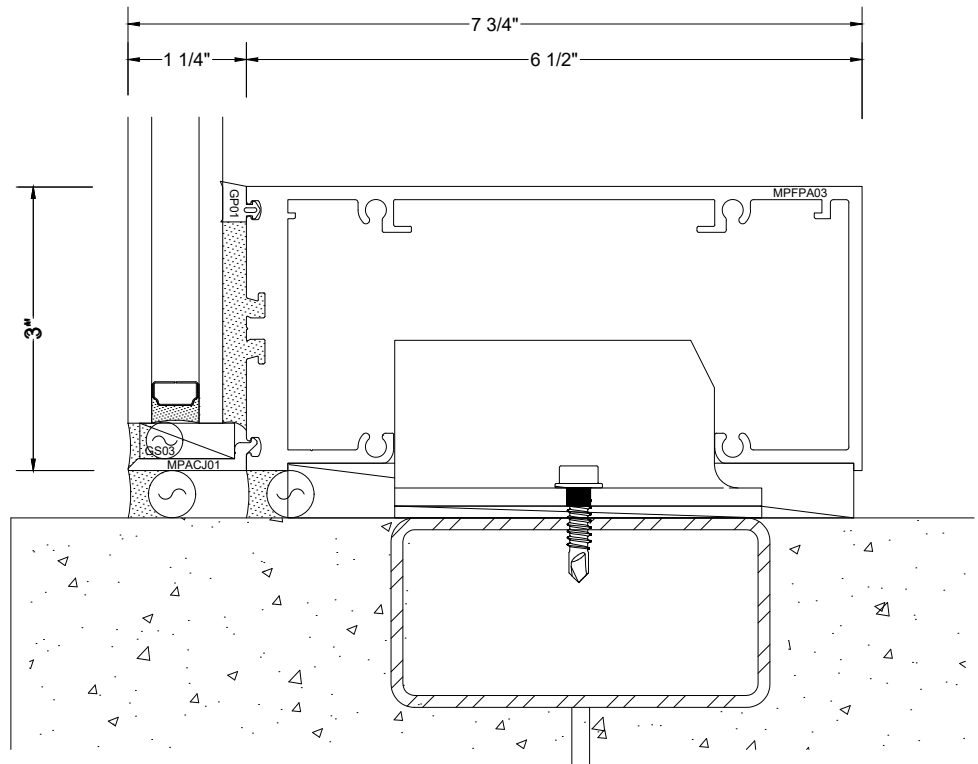
**3B** SILL CAPTURED  
 OPEN BACK UP  
 WITH COVER



**4** **SILL SSG**  
 SILL STARTER

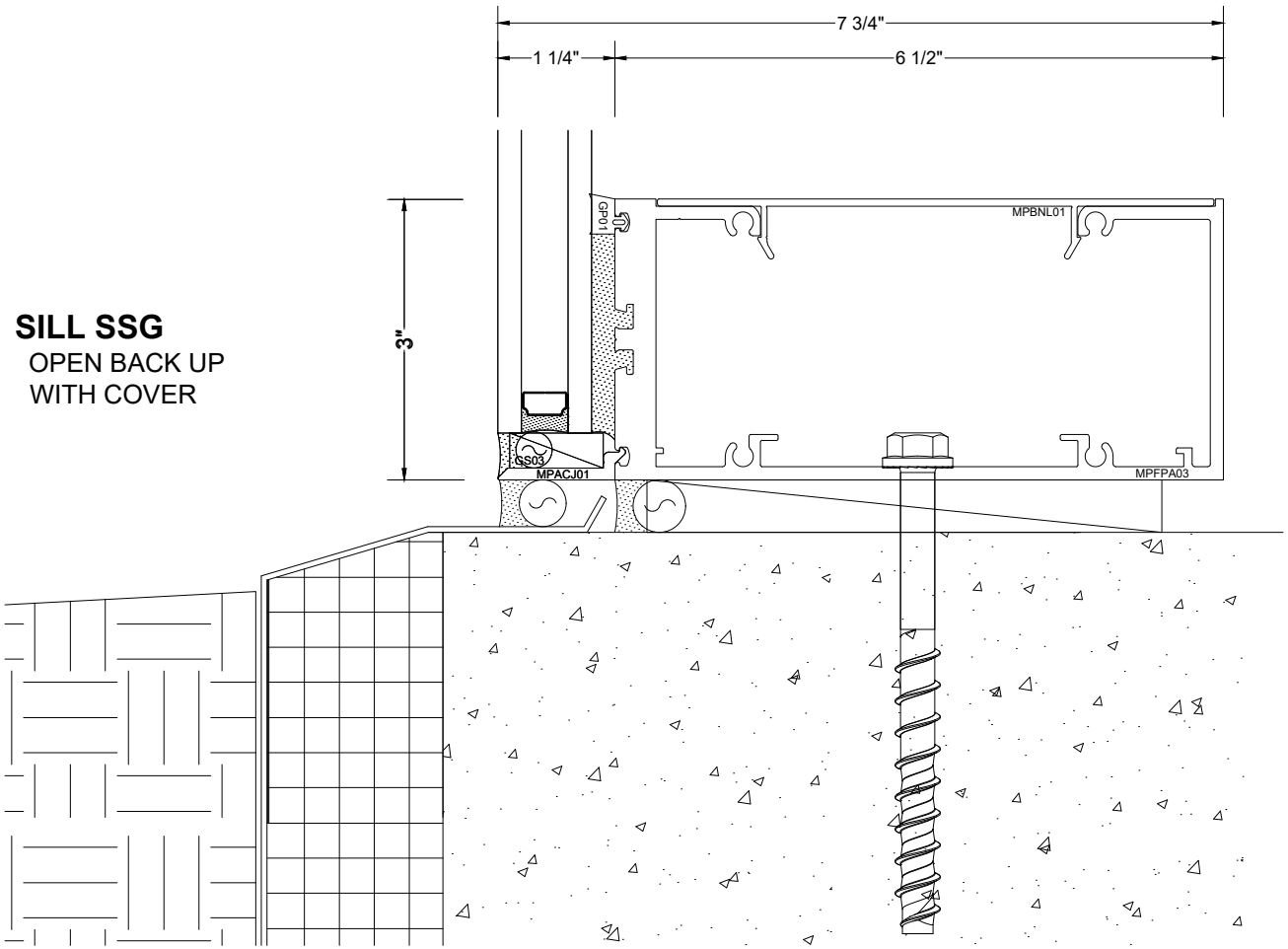


**4A** **SILL SSG**  
 OPEN BACK DOWN  
 WITH CLIP



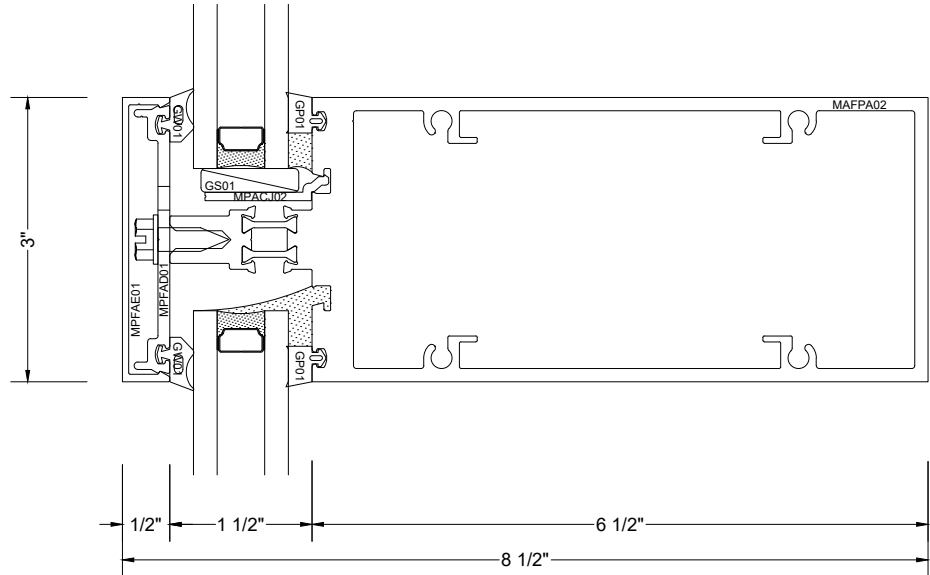
**4B**

**SILL SSG**  
 OPEN BACK UP  
 WITH COVER

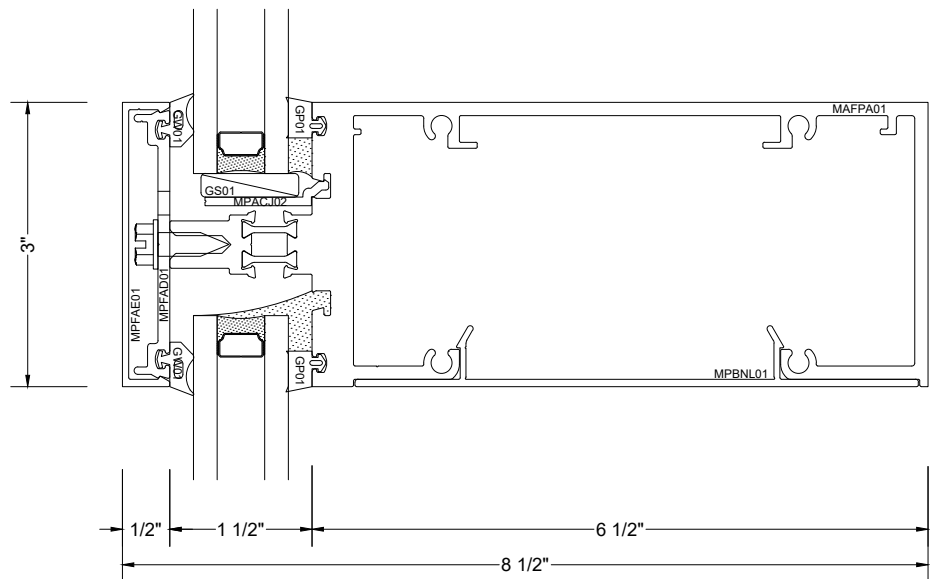




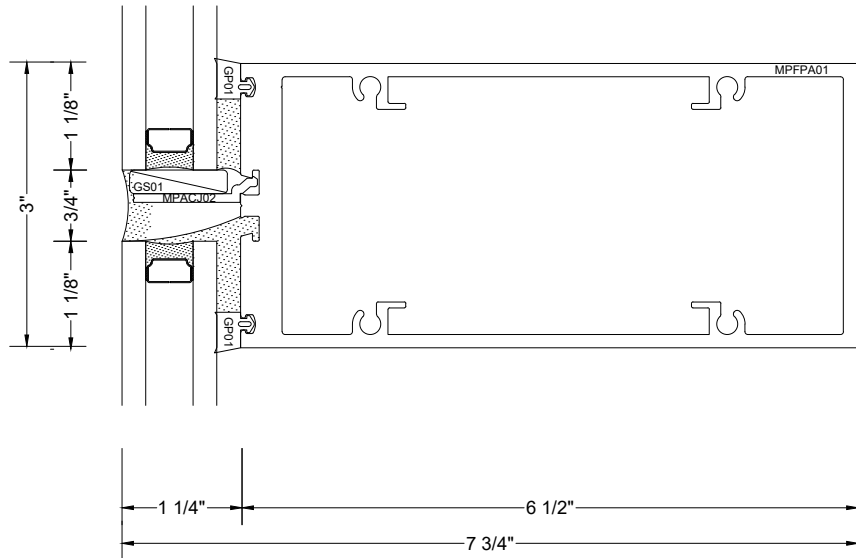
**5** HORIZONTAL  
 CAPTURED  
 TUBE



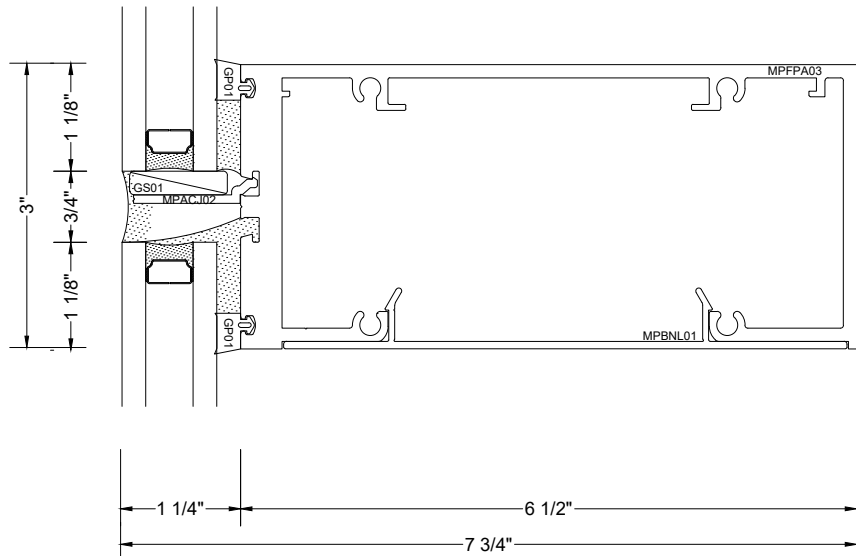
**5A** HORIZONTAL  
 CAPTURED  
 OPEN BACK DOWN  
 WITH COVER



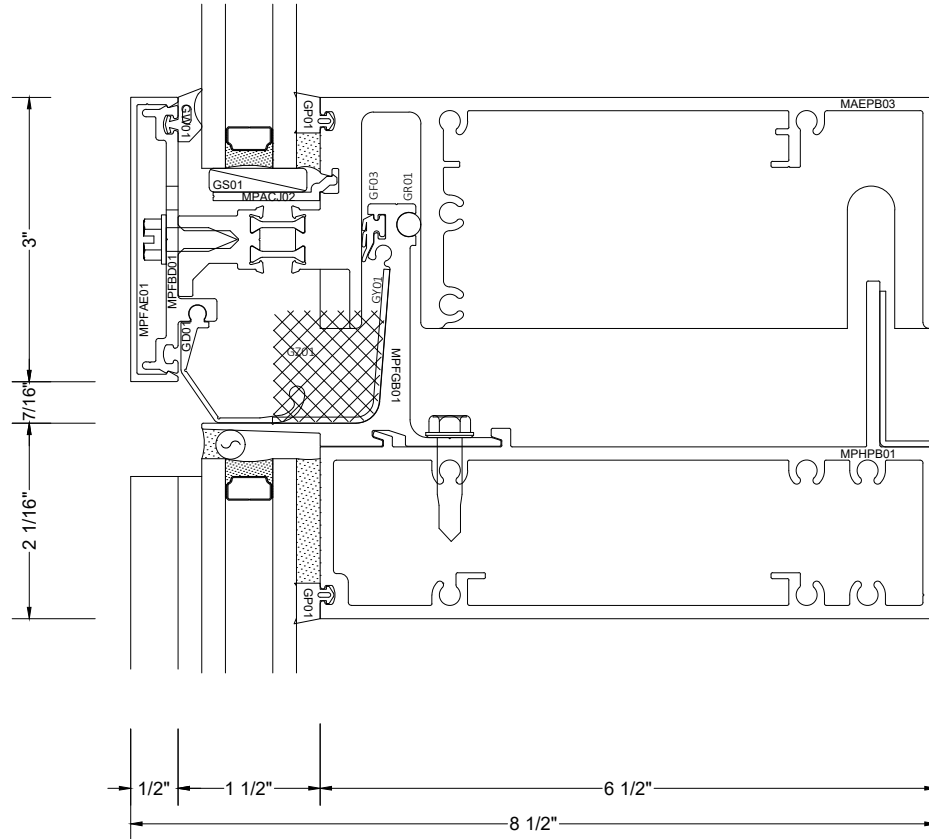
**6** HORIZONTAL SSG  
 TUBE



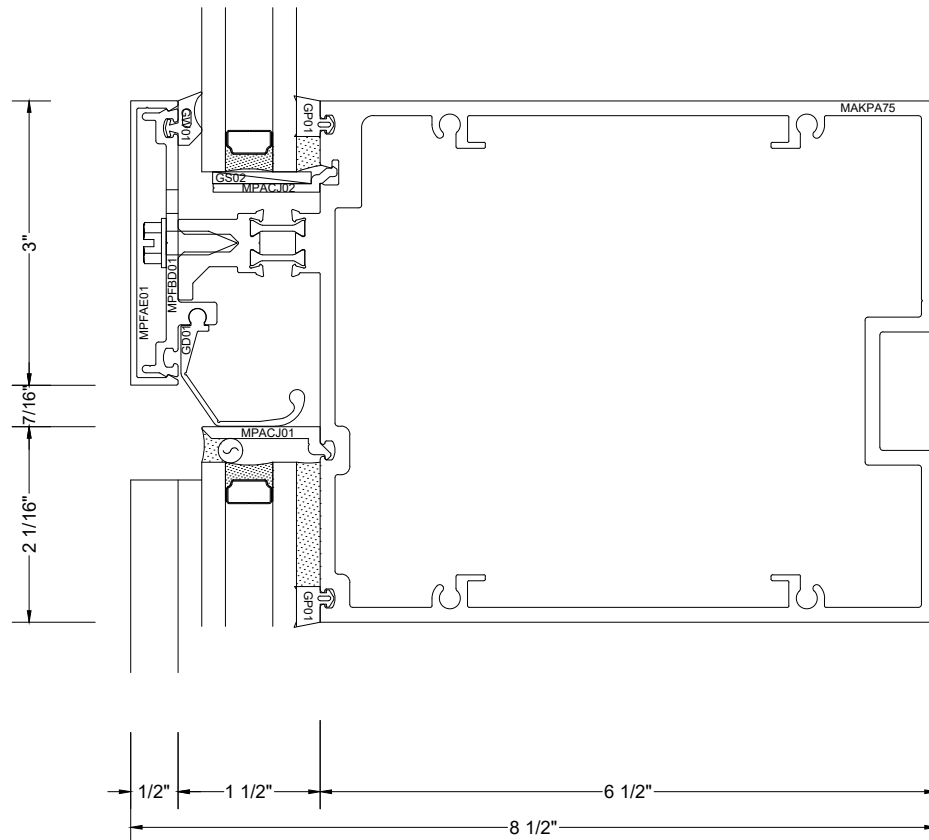
**6A** HORIZONTAL SSG  
 OPEN BACK DOWN  
 WITH COVER



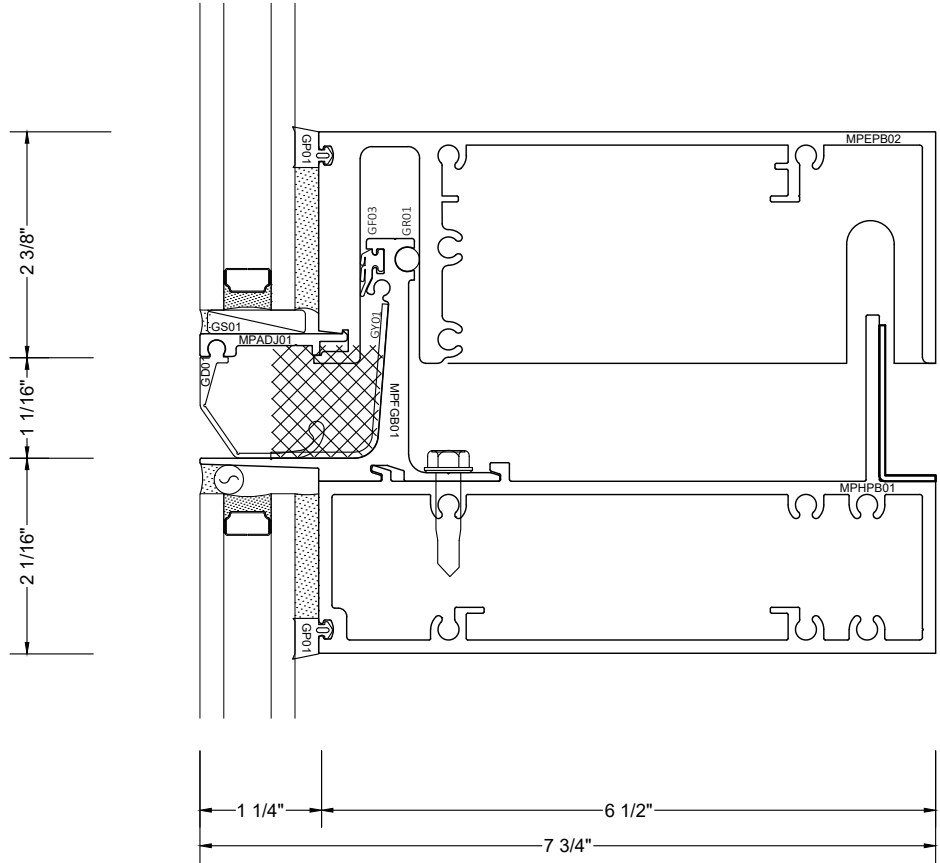
**7 UNIT STACK CAPTURED**



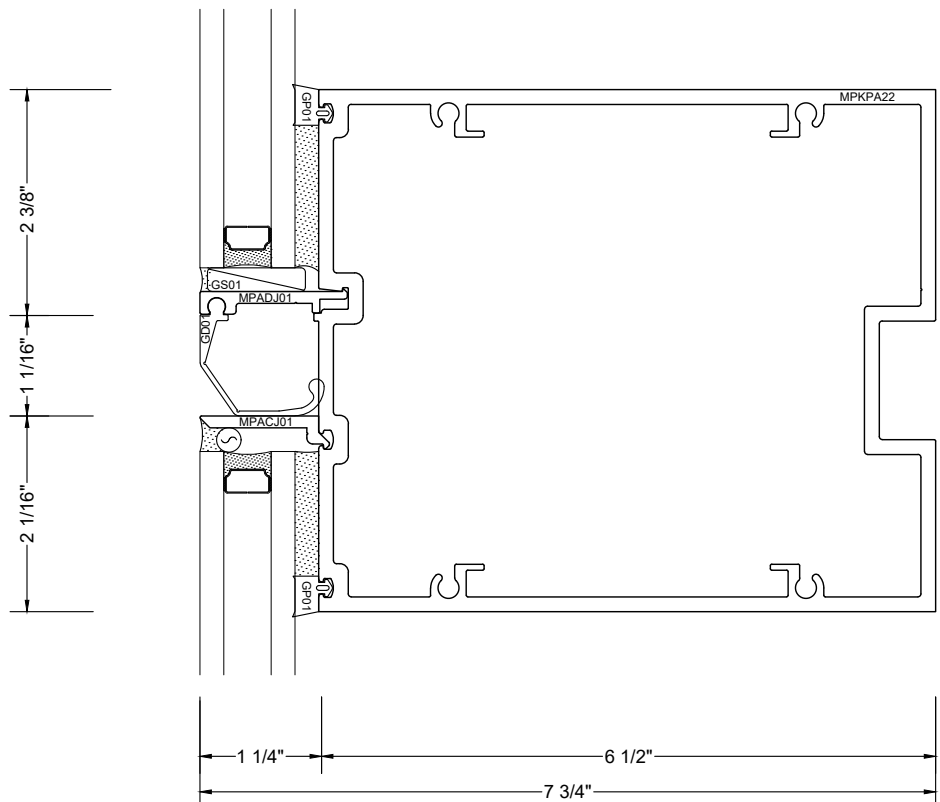
**7A FAUX STACK CAPTURED**

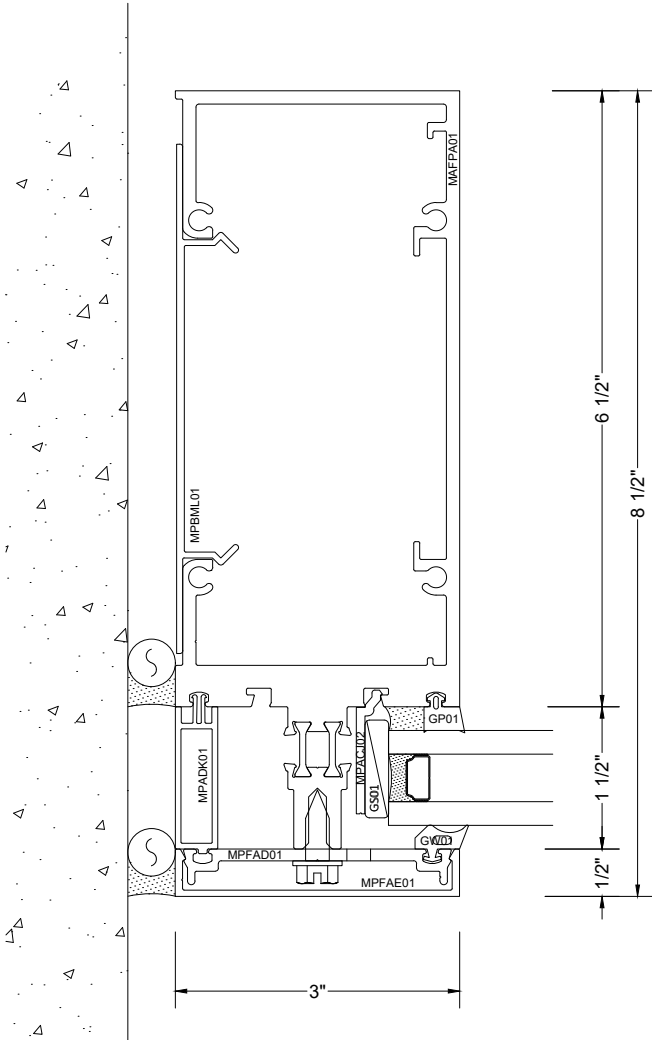


**8** UNIT STACK  
 SSG

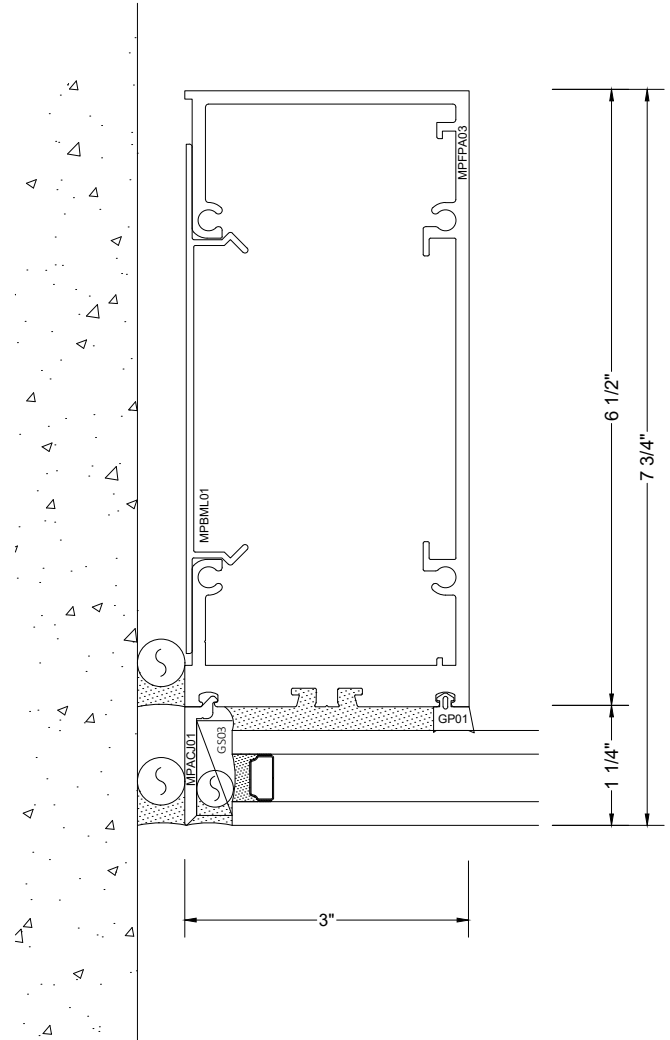


**8A** FAUX STACK  
 SSG

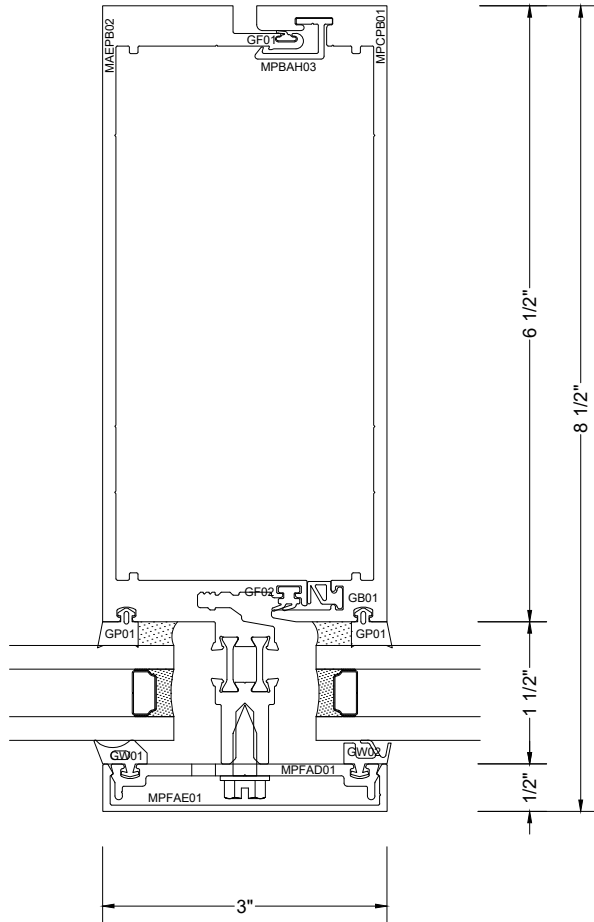




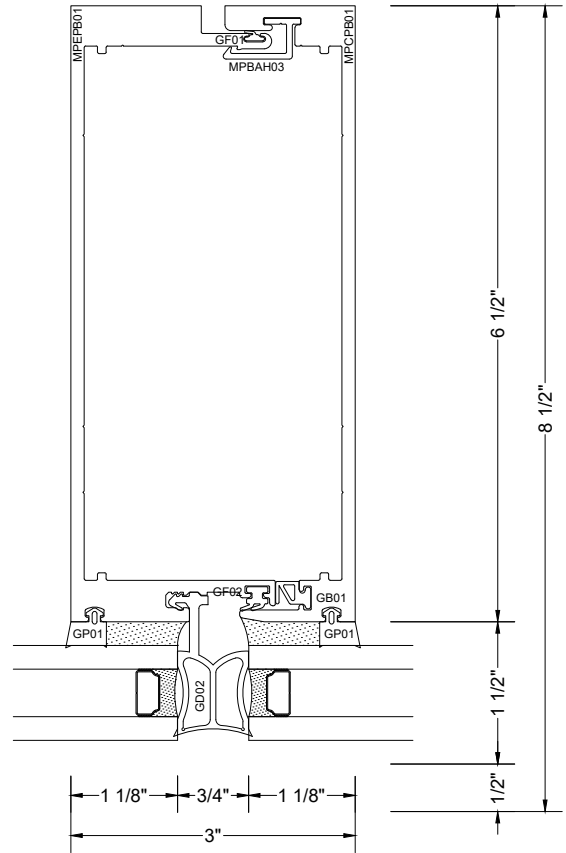
**9 JAMB CAPTURED**  
 OPEN BACK WITH PVC FILLER



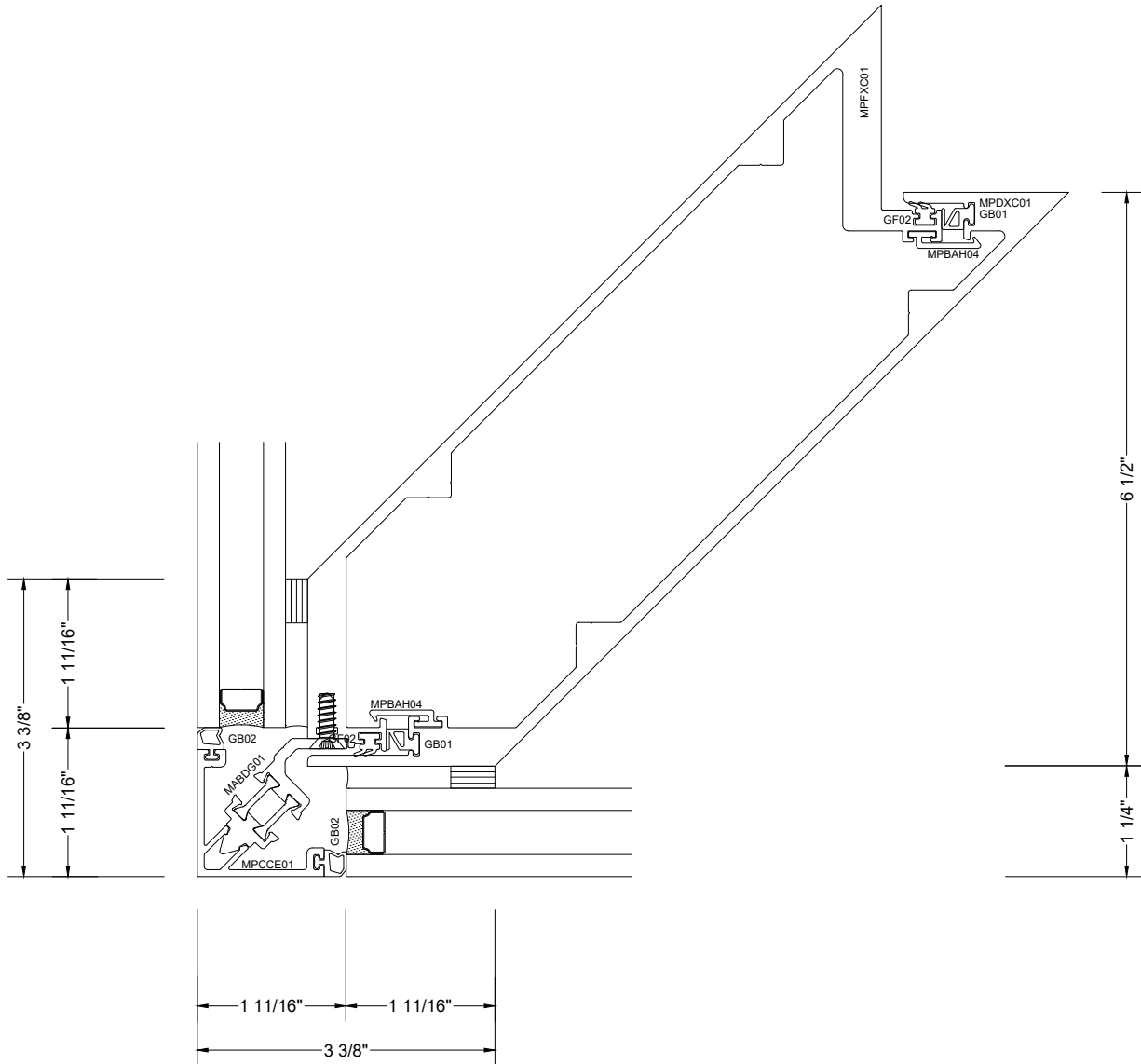
**10 JAMB SSG**  
 OPEN BACK WITH PVC FILLER



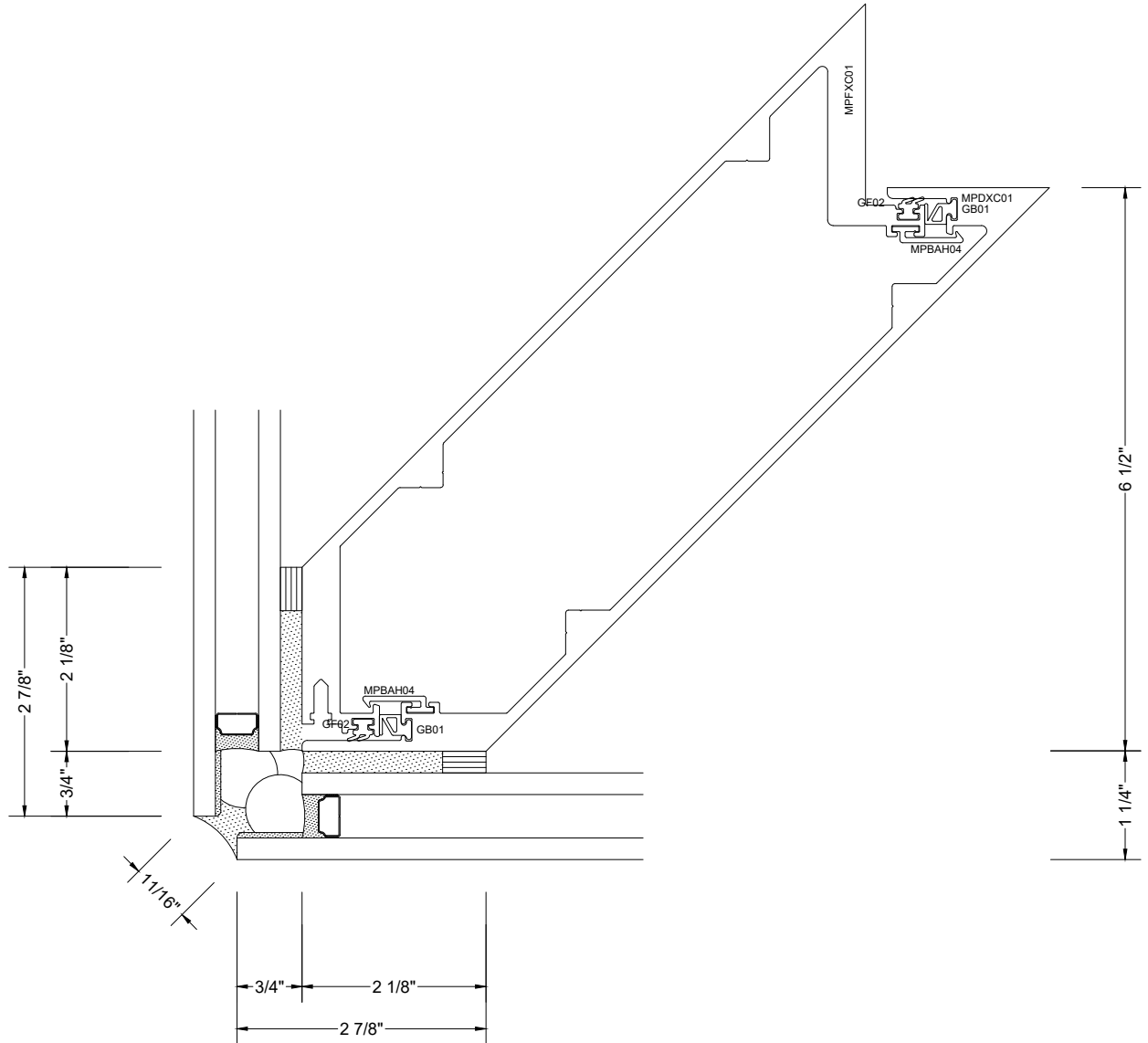
**11 VERTICAL CAPTURED**



**12 VERTICAL SSG**



**13** **90° OUTSIDE CORNER SSG**  
 ALUMINUM NOSE  
 \*contact JRB for other angle options



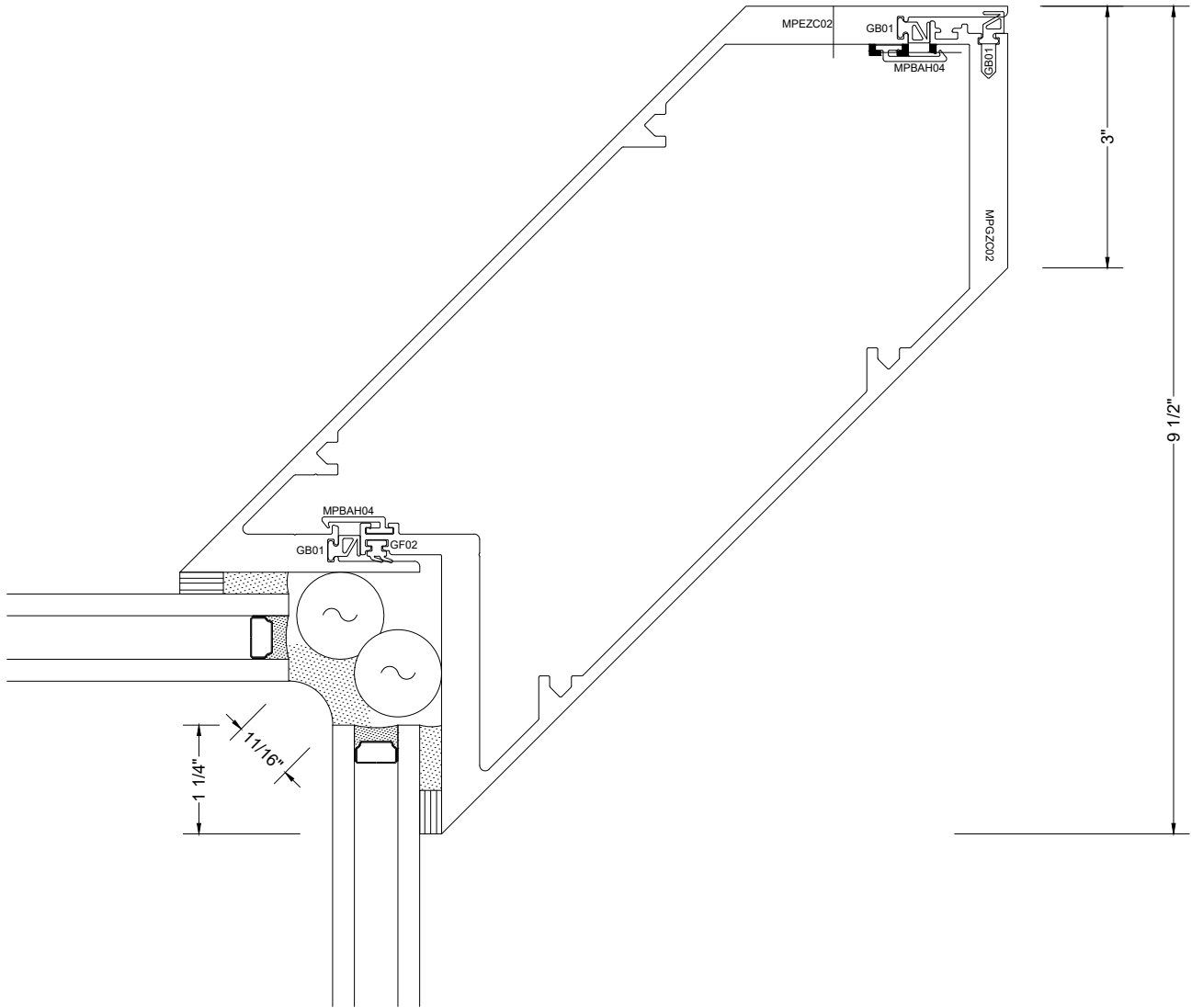
**14**

**90° OUTSIDE CORNER SSG**

GLASS NOSE

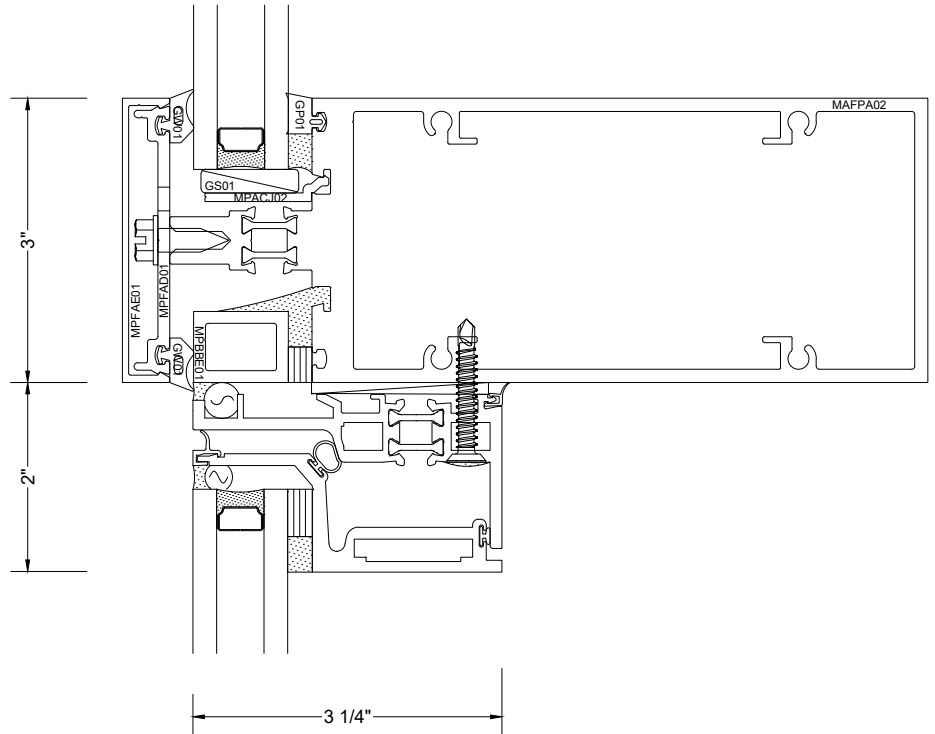
\*contact JRB for other angle options



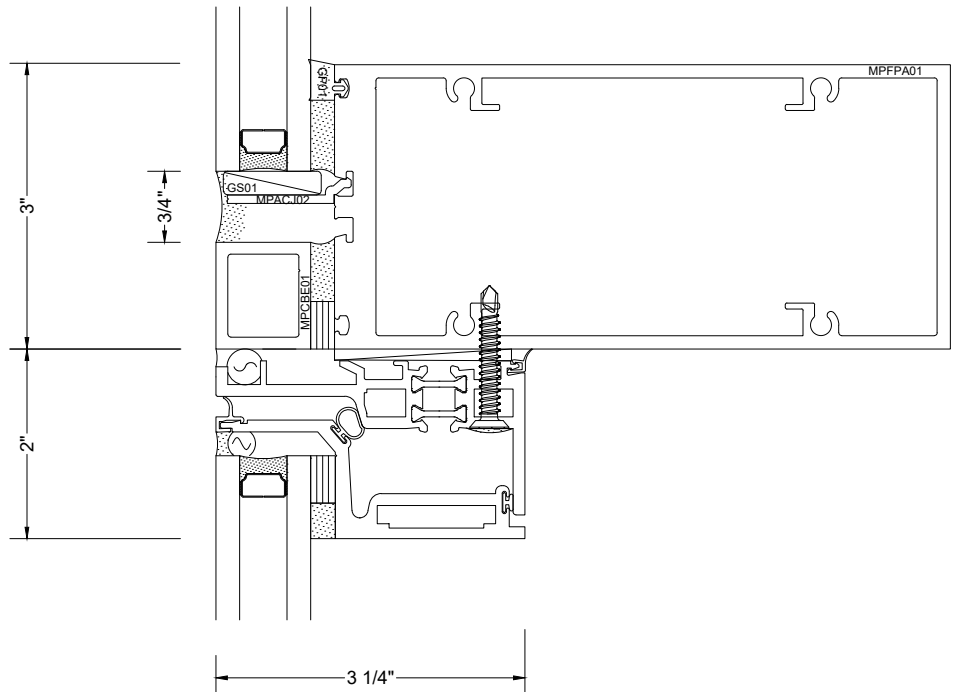


**15** **90° INSIDE CORNER SSG**  
 \*contact JRB for other angle options

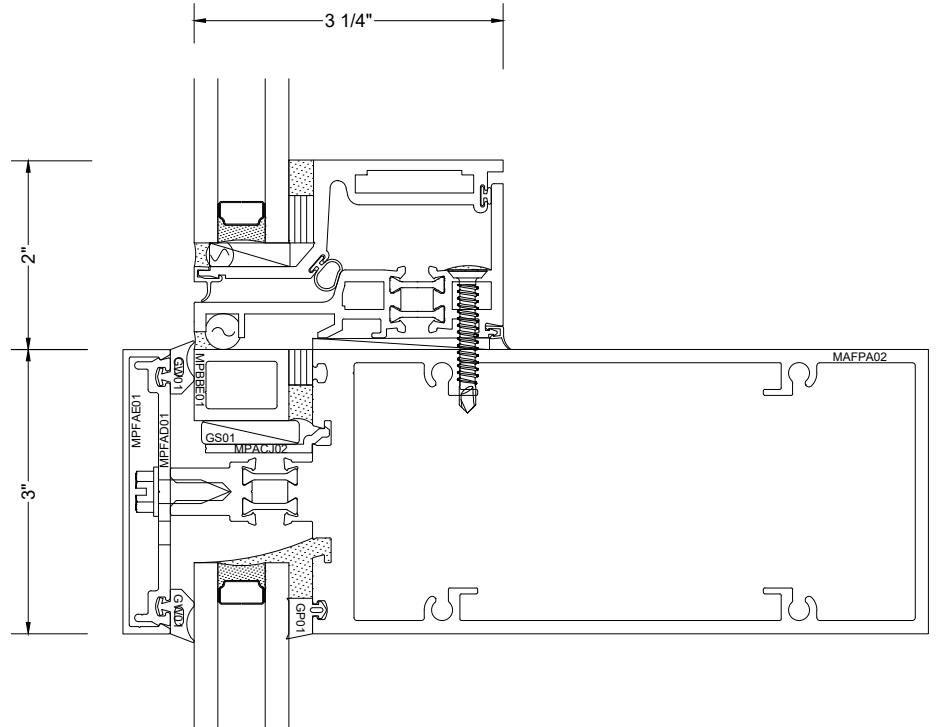
**16** HEAD CAPTURED  
 ZERO SITE LINE  
 INSERT VENT



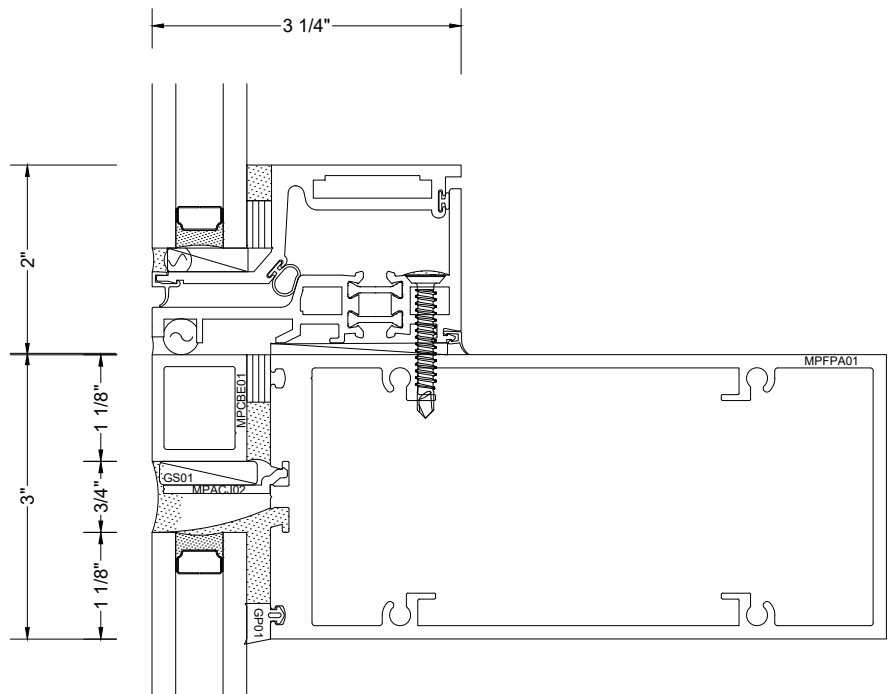
**16A** HEAD SSG  
 ZERO SITE LINE  
 INSERT VENT

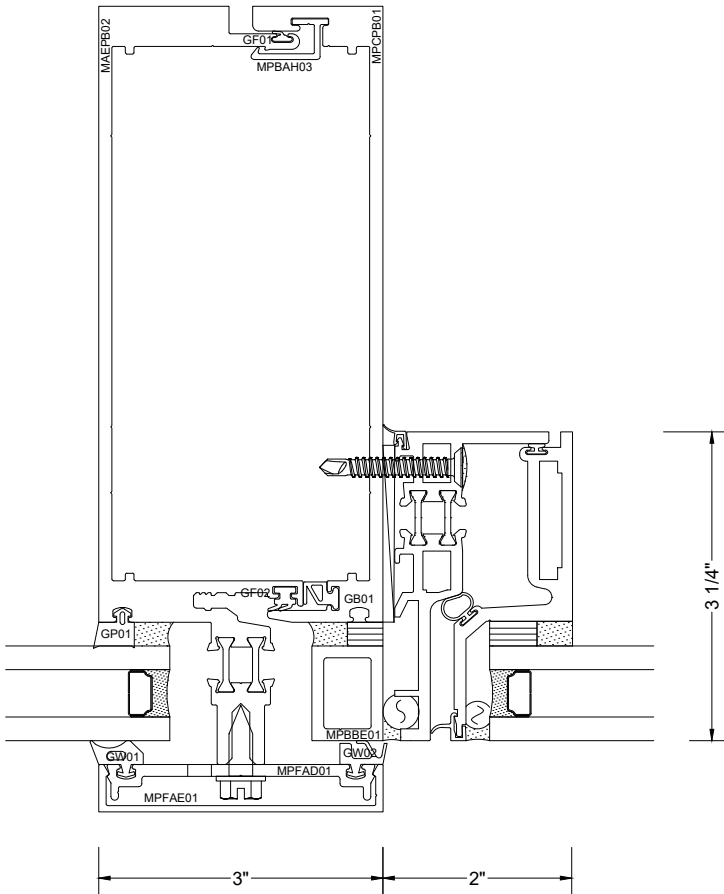


**17** SILL CAPTURED  
 ZERO SITE LINE  
 INSERT VENT

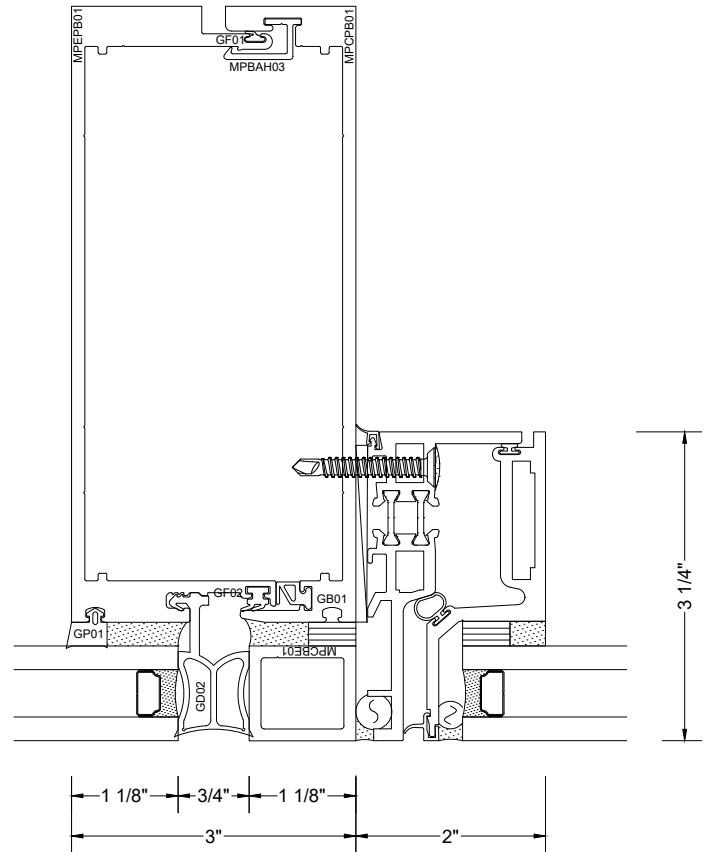


**17A** SILL SSG  
 ZERO SITE LINE  
 INSERT VENT



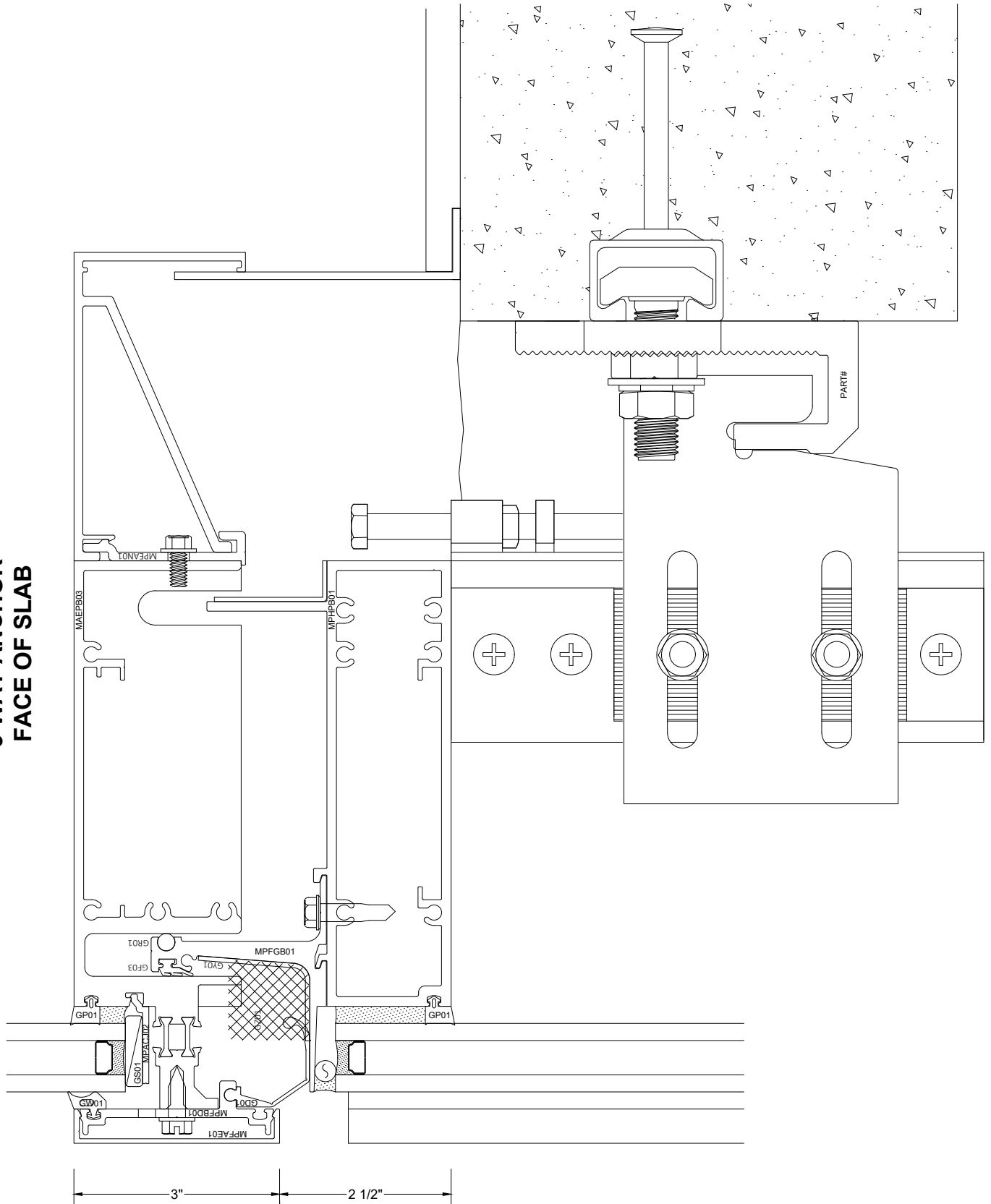


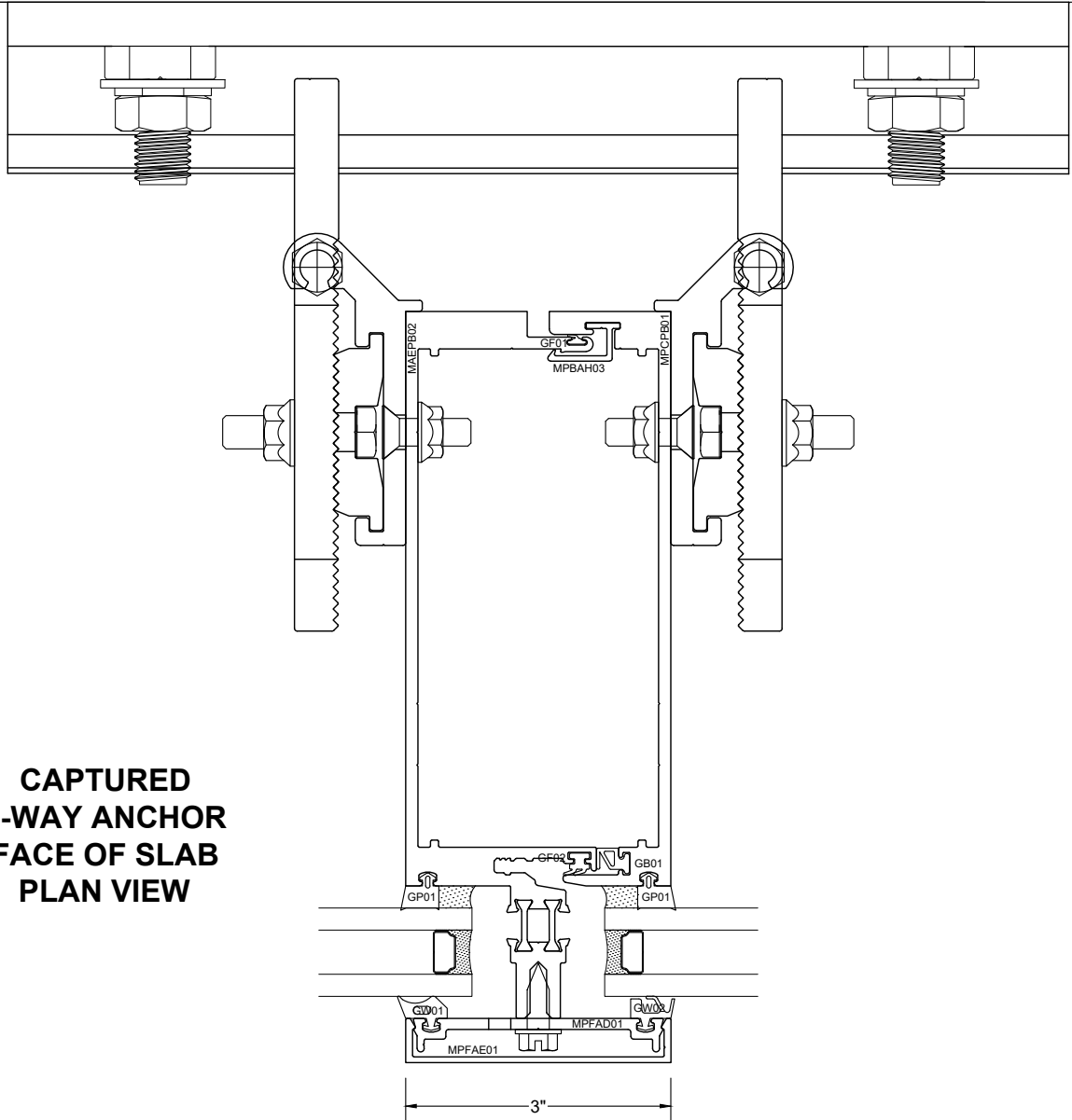
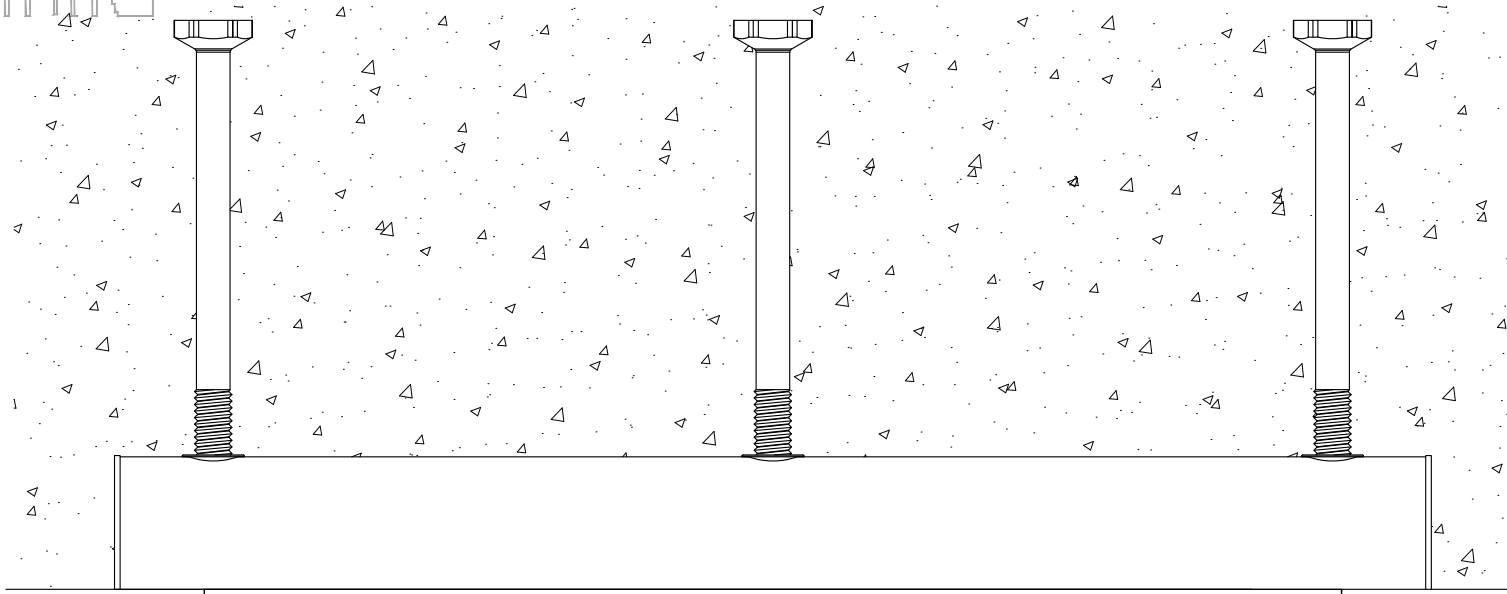
**18** **JAMB CAPTURED**  
 ZERO SITE LINE  
 INSERT VENT



**18A** **JAMB SSG**  
 ZERO SITE LINE  
 INSERT VENT

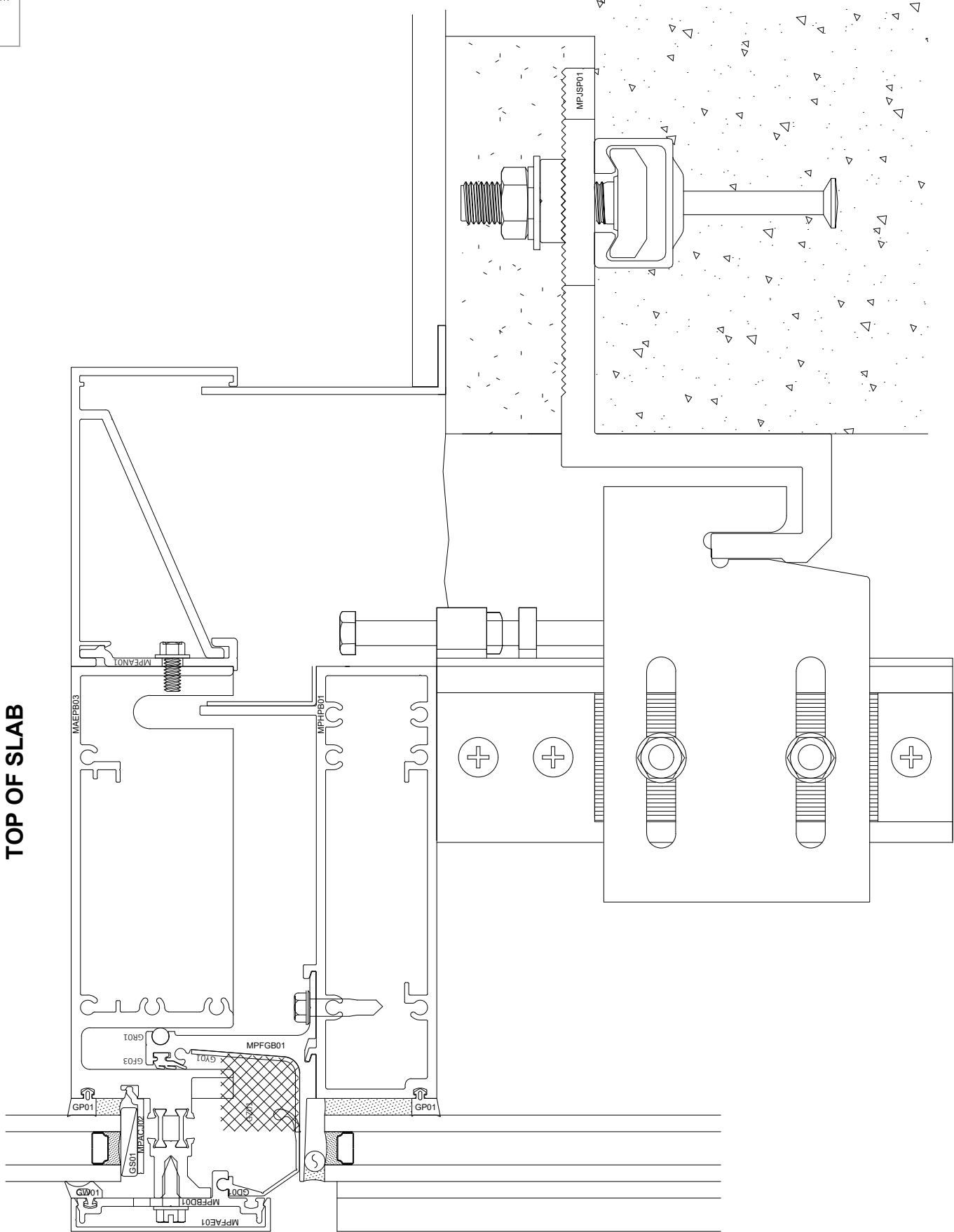
**CAPTURED  
 3-WAY ANCHOR  
 FACE OF SLAB**

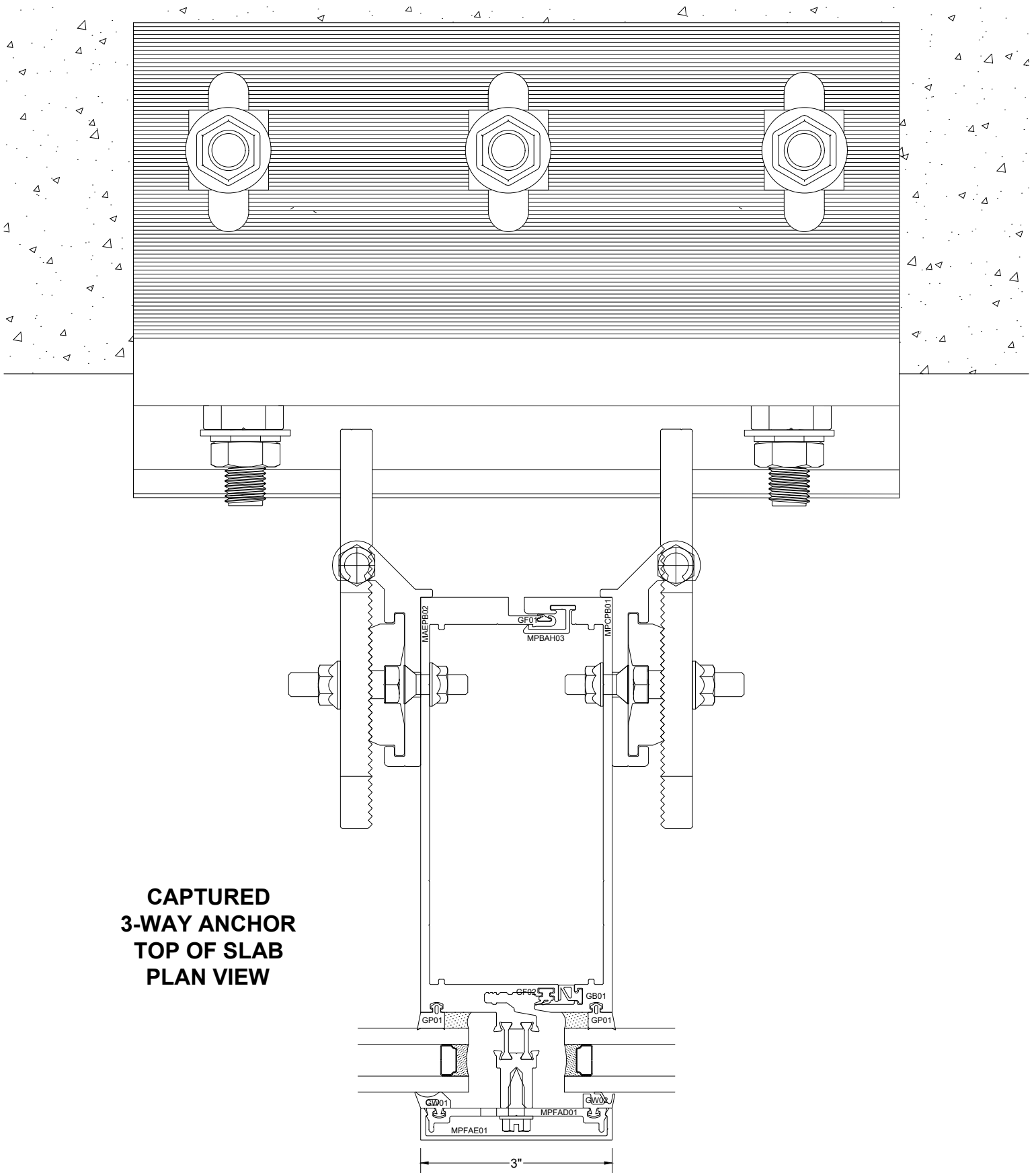




**CAPTURED  
 3-WAY ANCHOR  
 FACE OF SLAB  
 PLAN VIEW**

**CAPTURED  
 3-WAY ANCHOR  
 TOP OF SLAB**

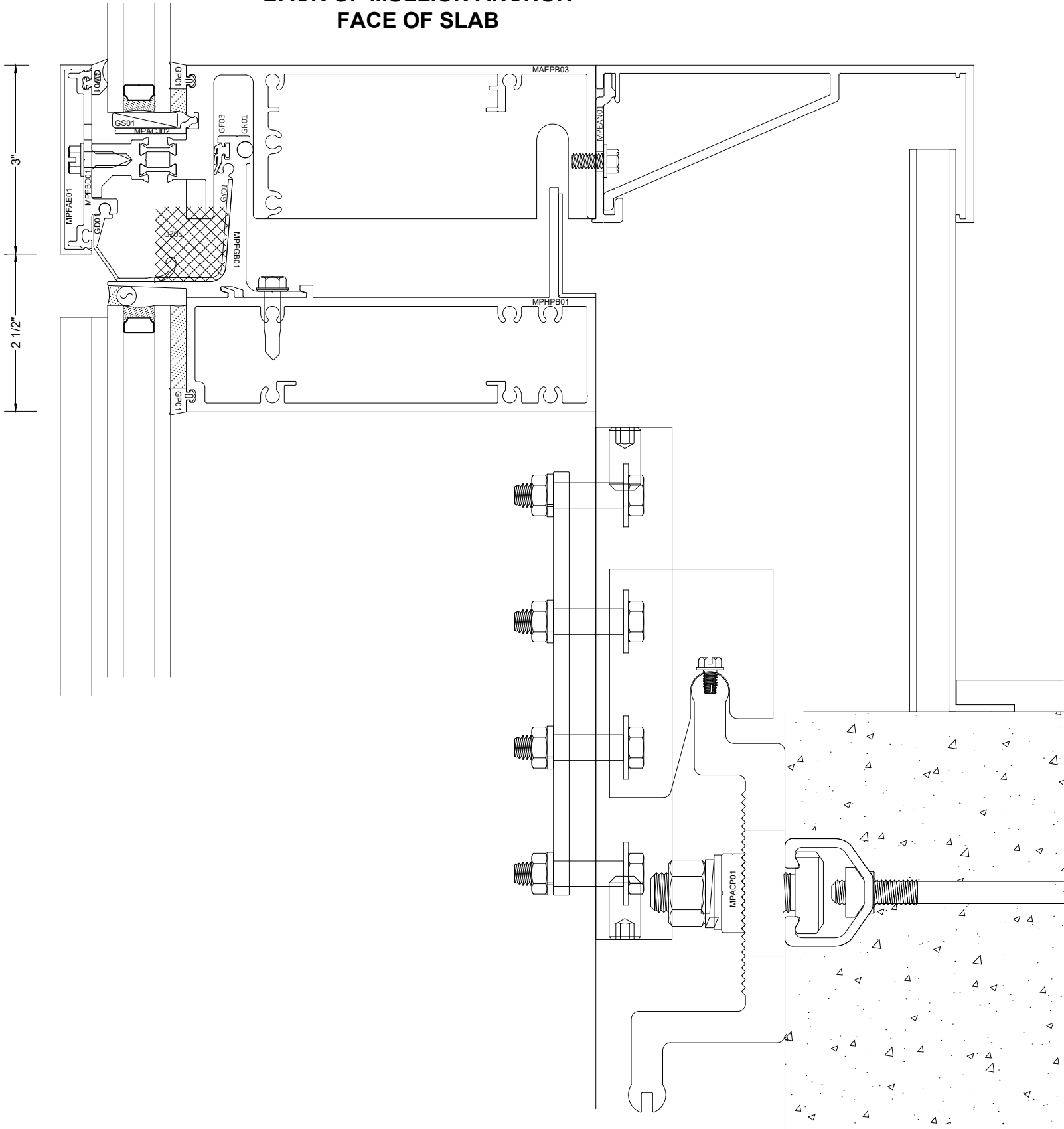


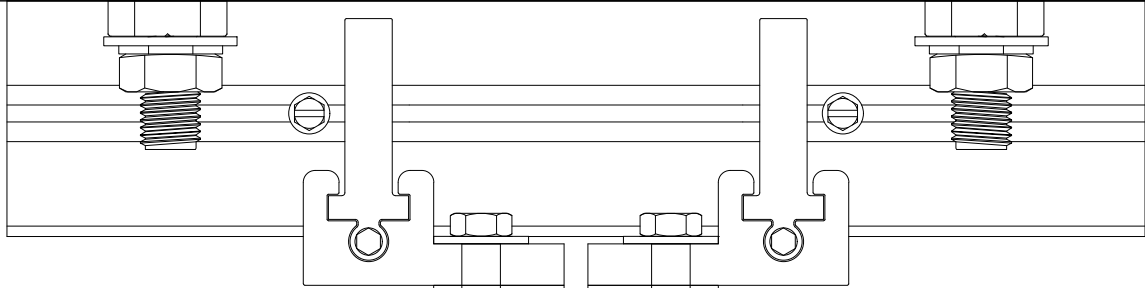
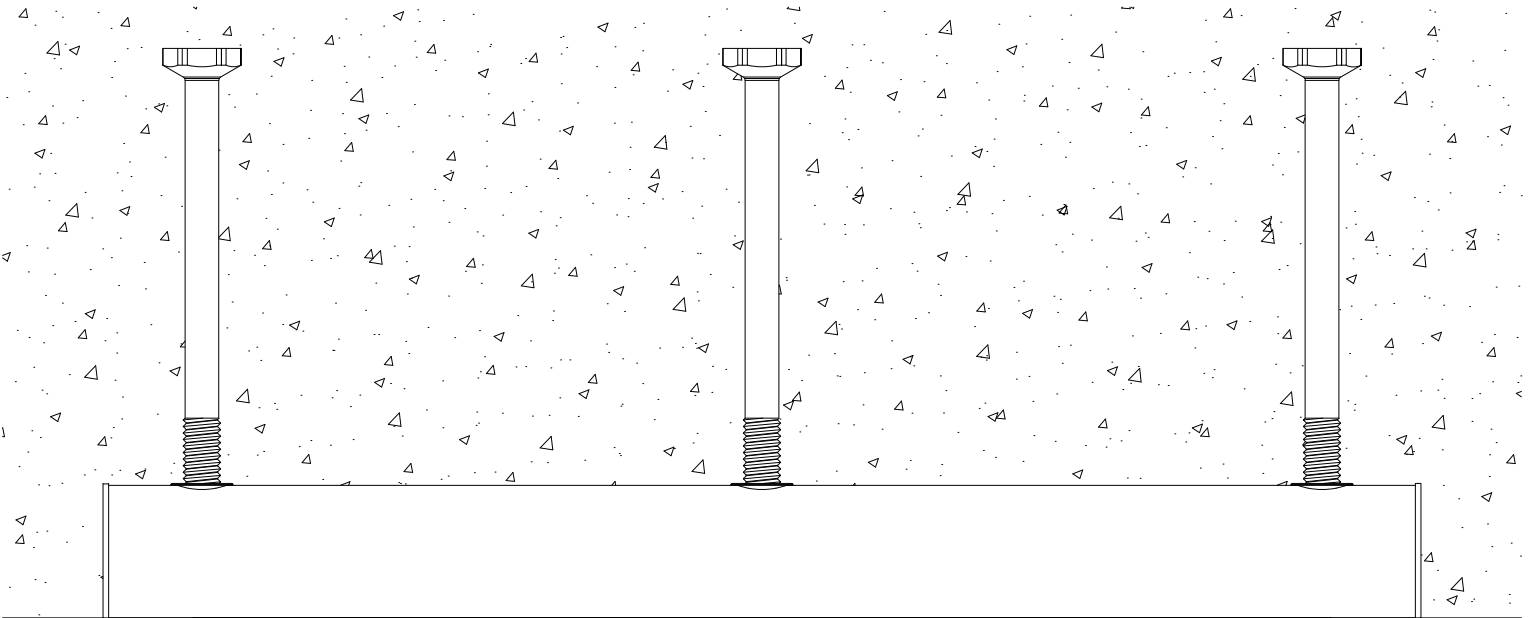


**CAPTURED  
 3-WAY ANCHOR  
 TOP OF SLAB  
 PLAN VIEW**

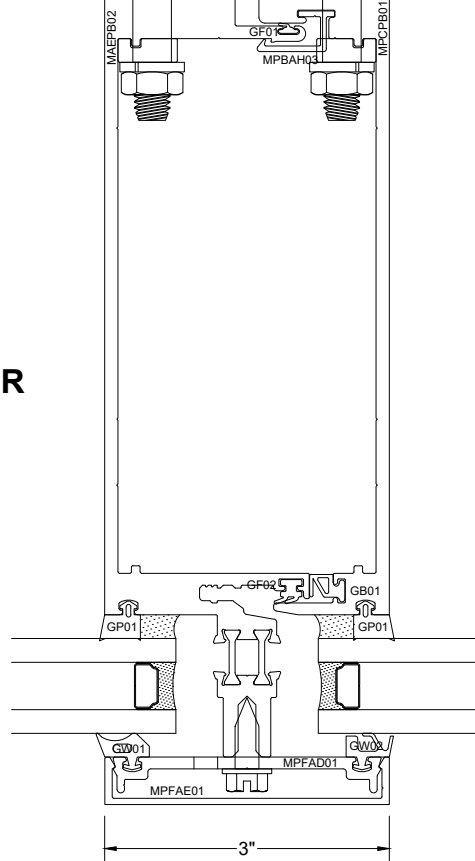


**CAPTURED  
 BACK OF MULLION ANCHOR  
 FACE OF SLAB**

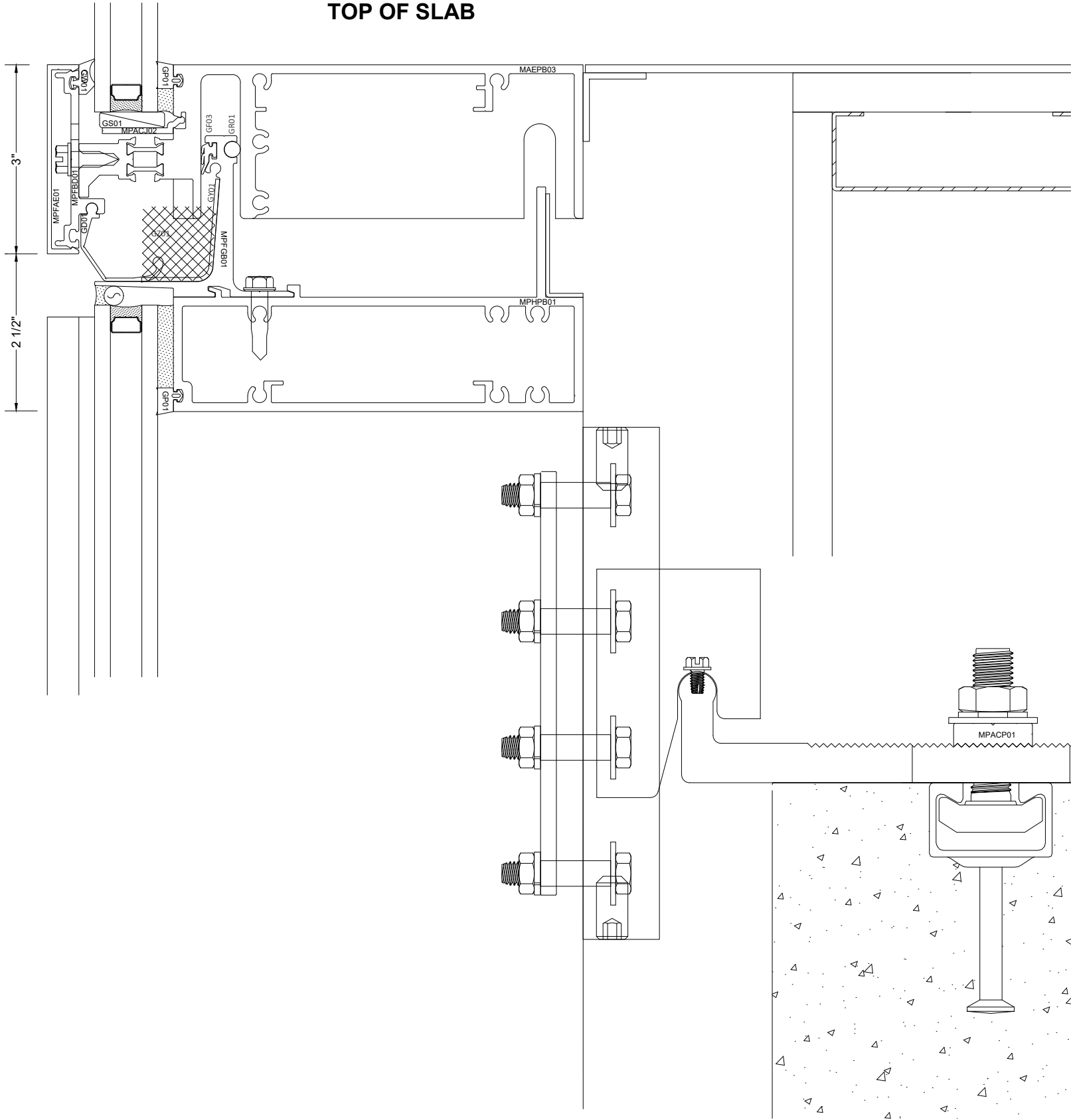


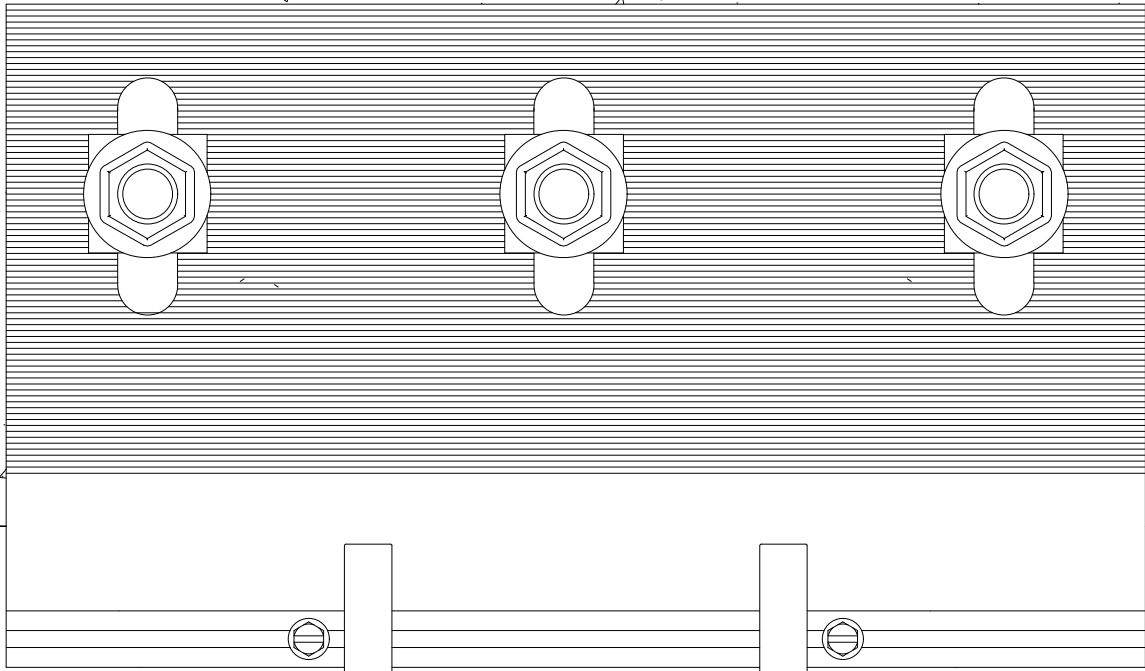


**CAPTURED  
 BACK OF MULLION ANCHOR  
 PLAN VIEW**

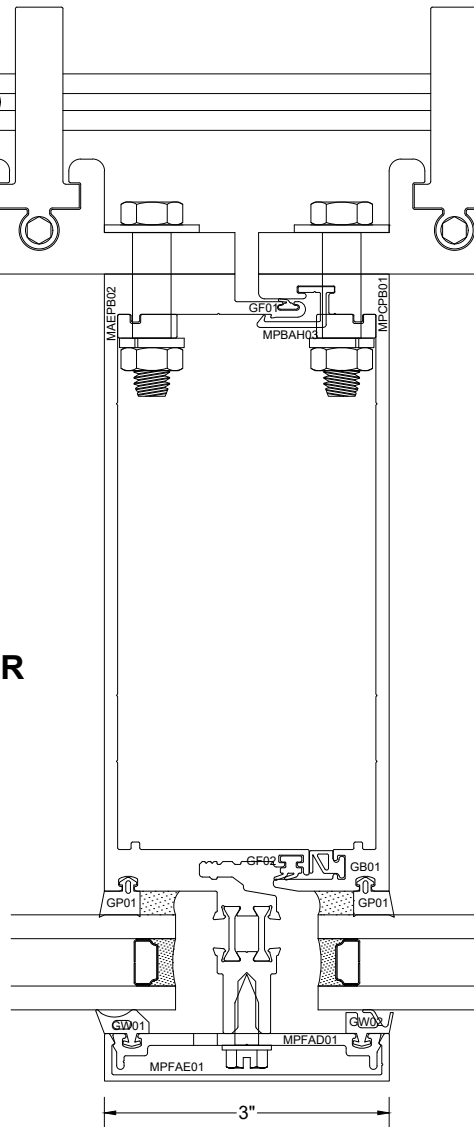


**CAPTURED  
 BACK OF MULLION ANCHOR  
 TOP OF SLAB**

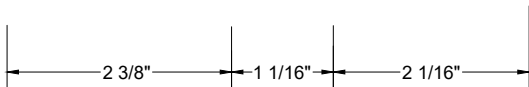
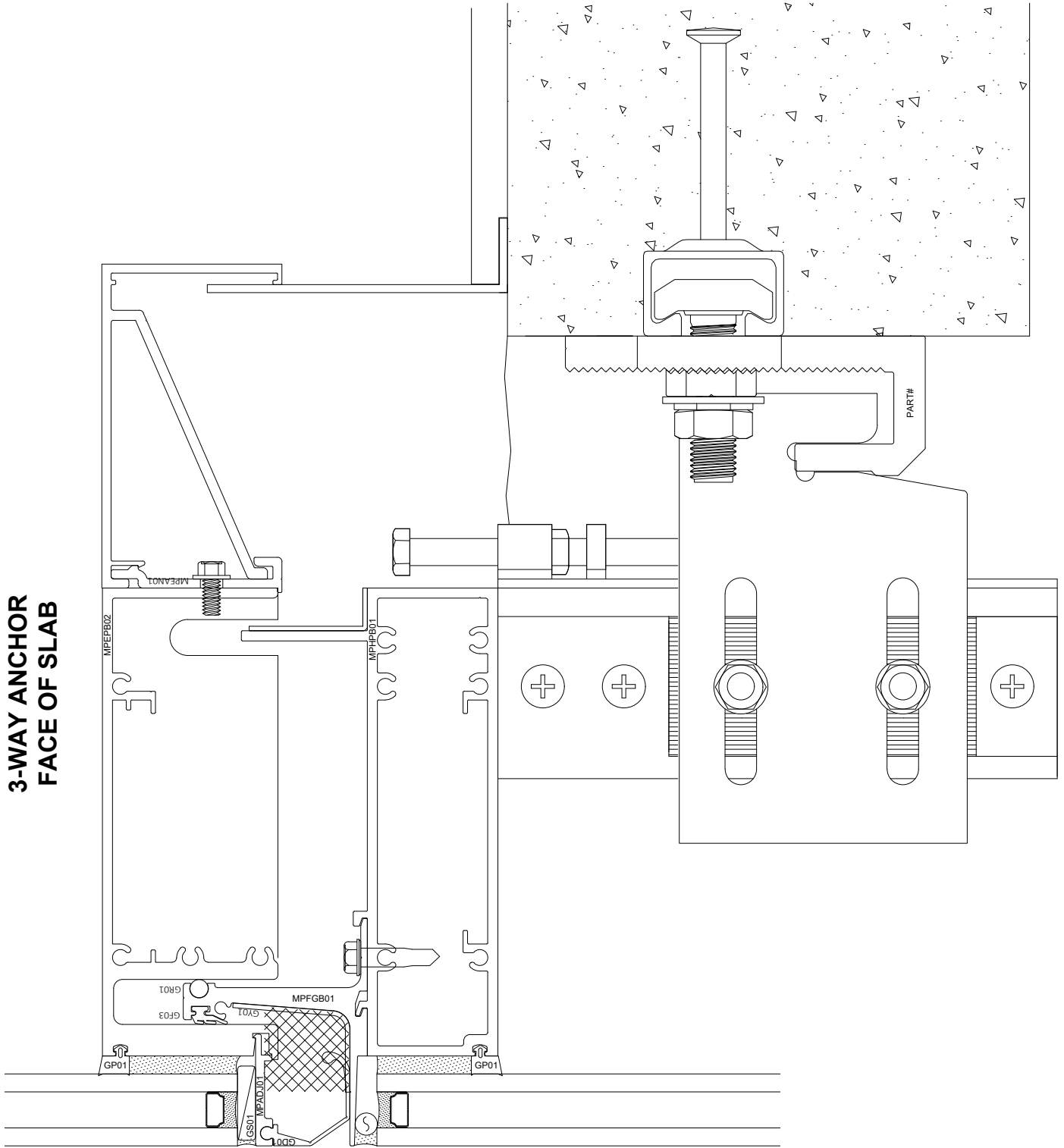


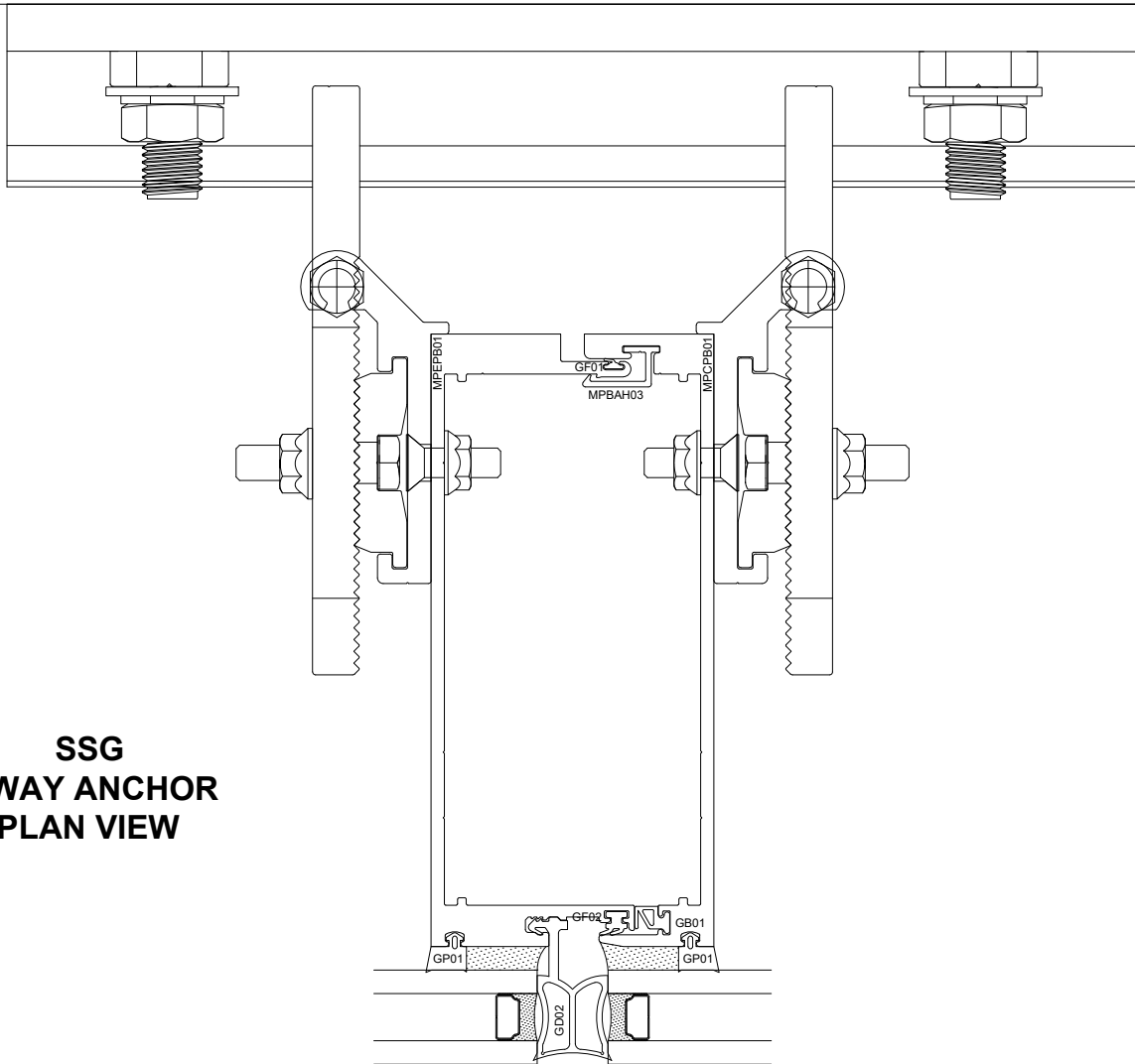
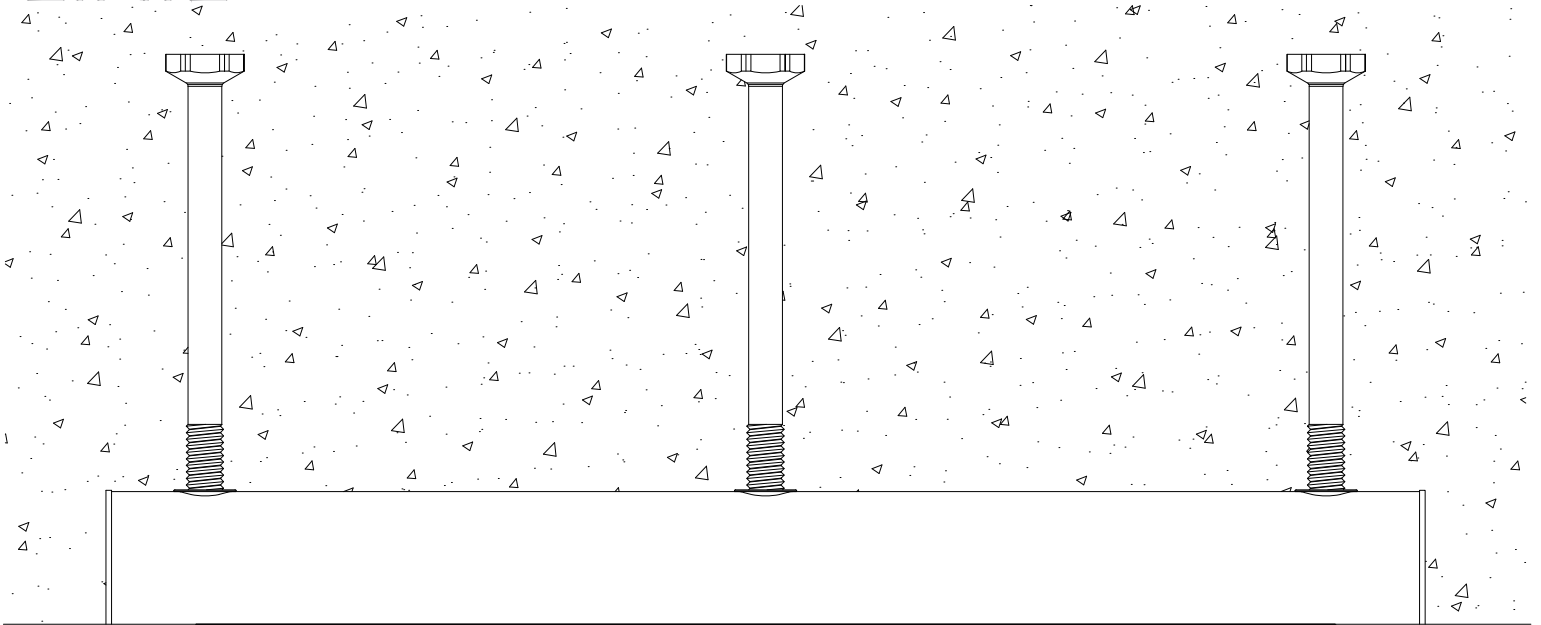


**CAPTURED  
 BACK OF MULLION ANCHOR  
 PLAN VIEW**

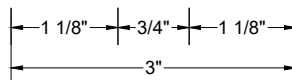


**SSG  
 3-WAY ANCHOR  
 FACE OF SLAB**

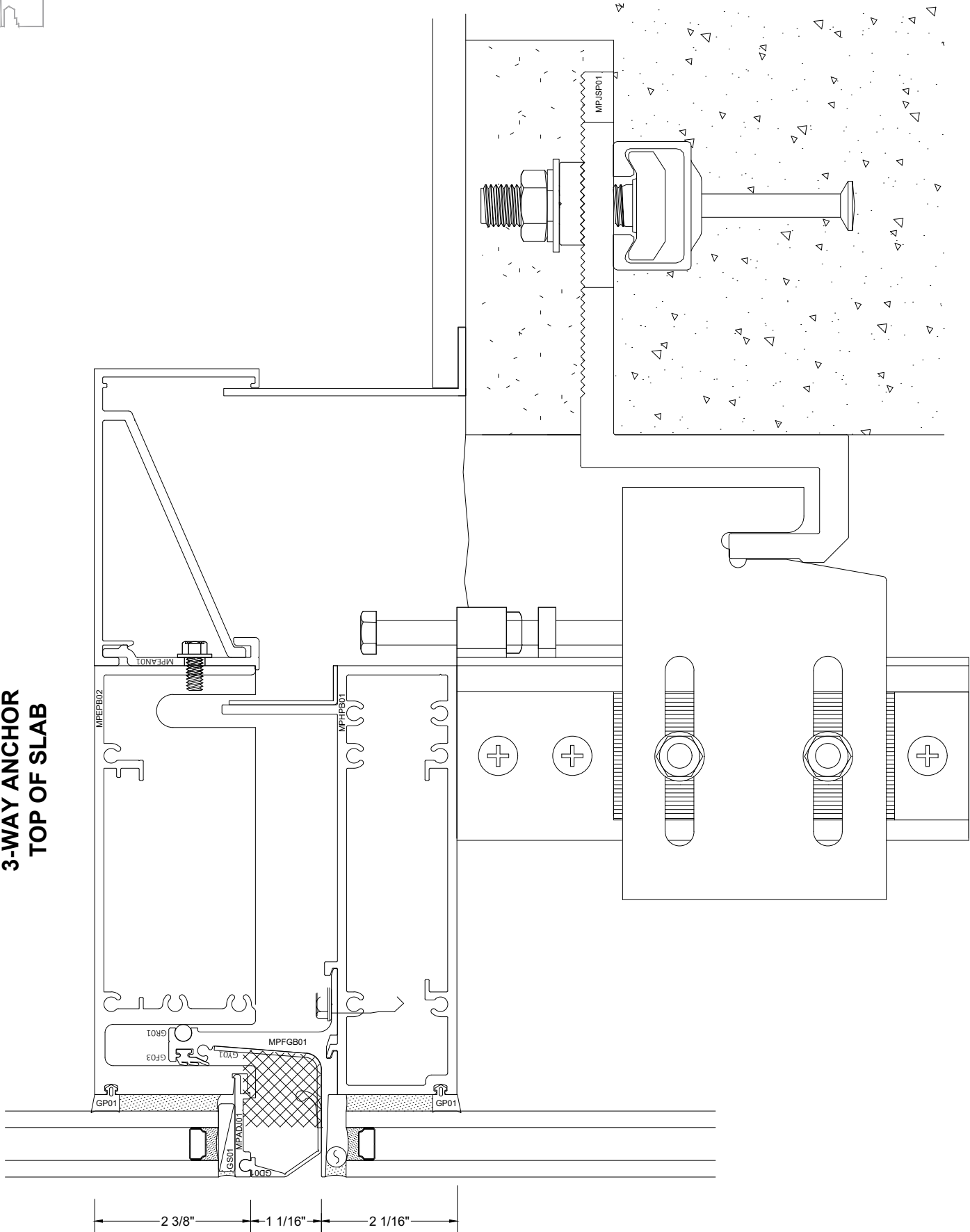


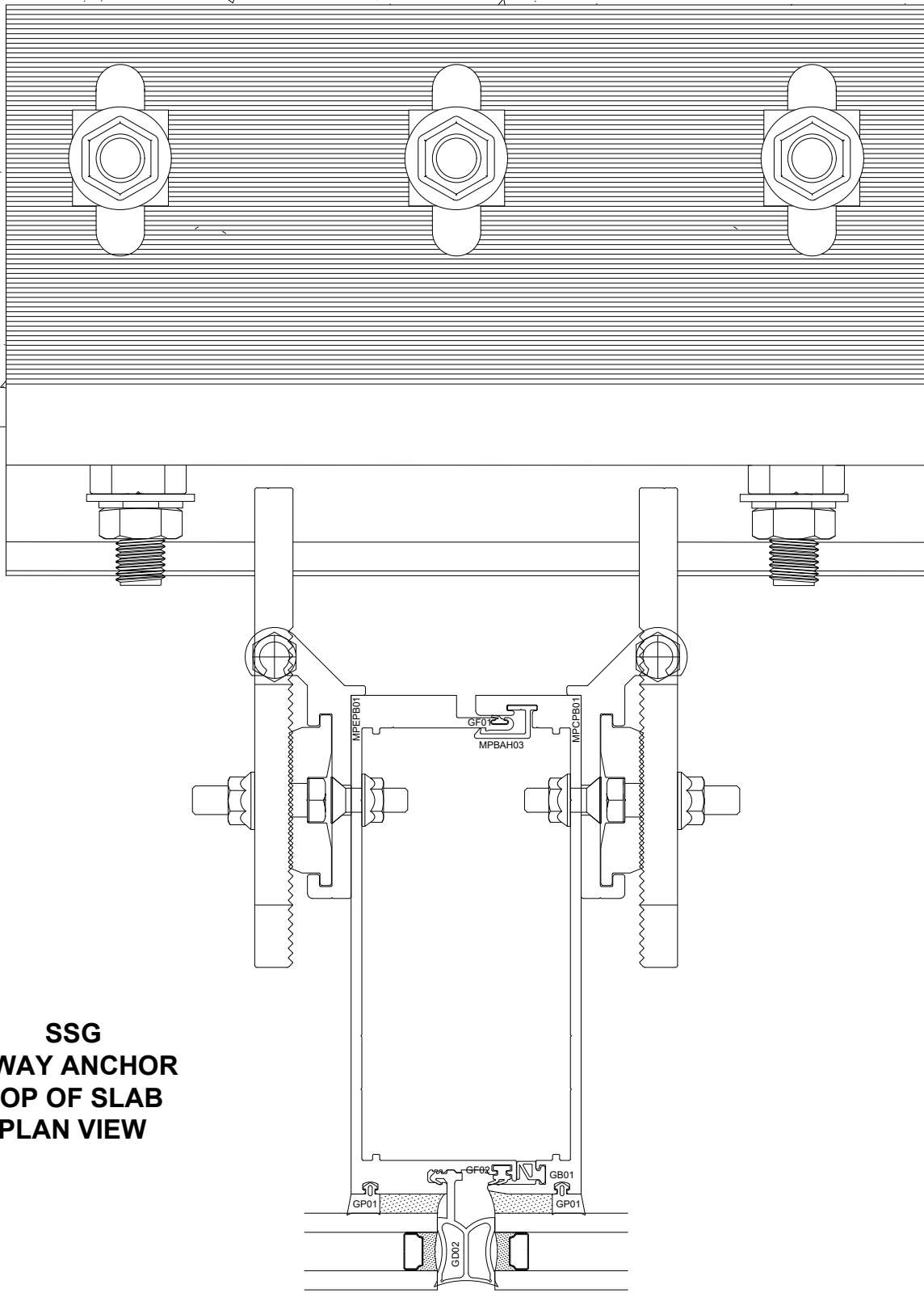


**SSG  
 3-WAY ANCHOR  
 PLAN VIEW**

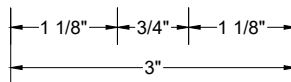


**SSG  
 3-WAY ANCHOR  
 TOP OF SLAB**



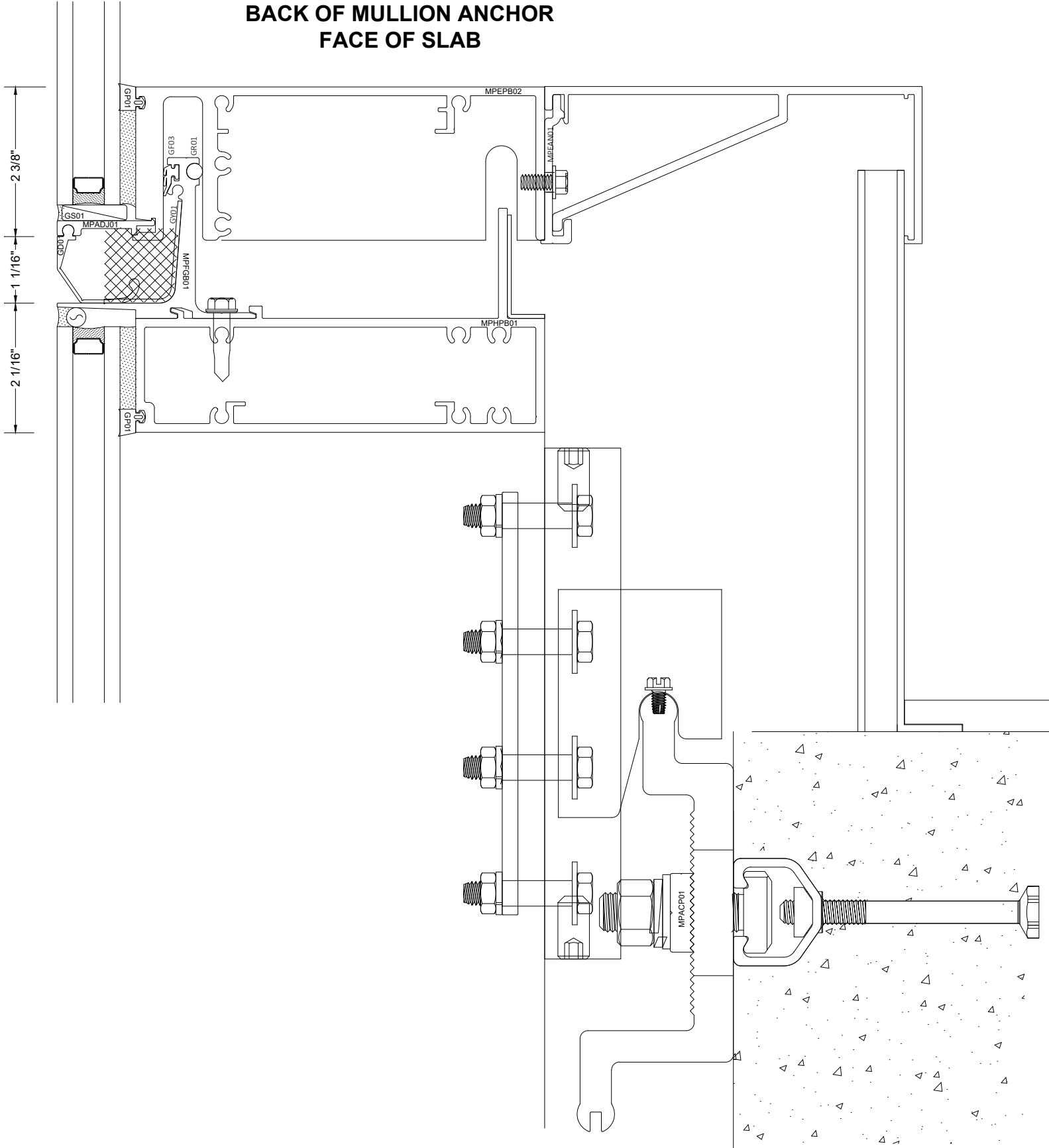


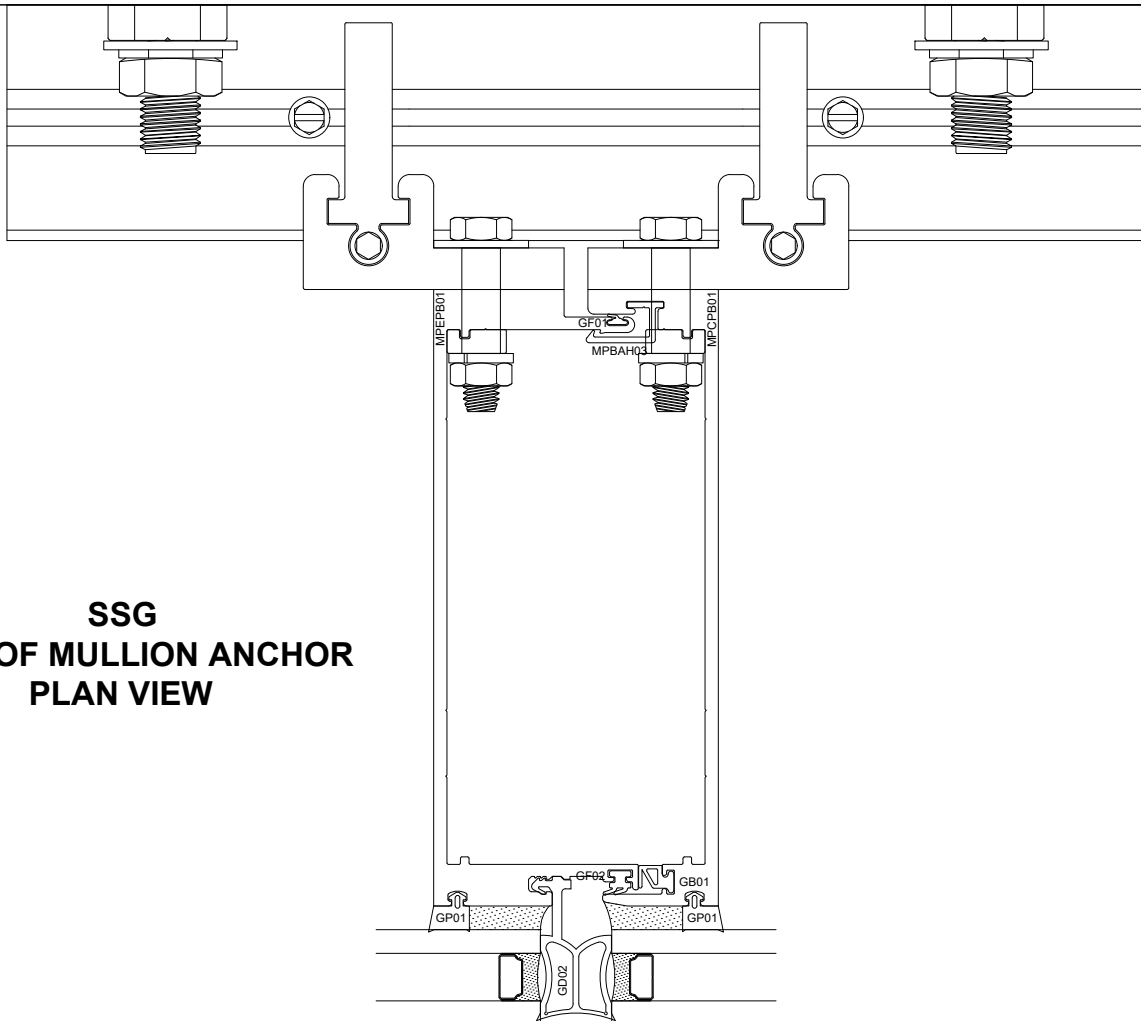
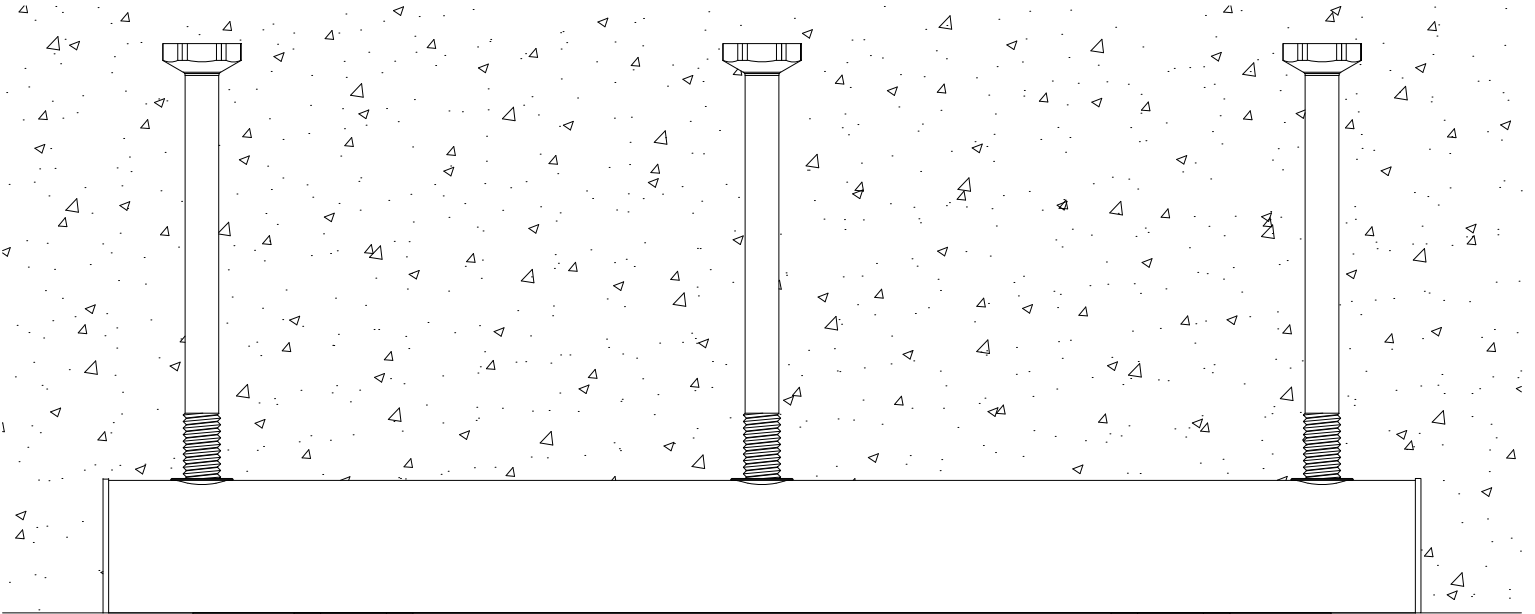
**SSG  
 3-WAY ANCHOR  
 TOP OF SLAB  
 PLAN VIEW**



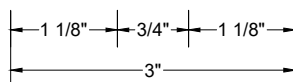


**SSG**  
**BACK OF MULLION ANCHOR**  
**FACE OF SLAB**

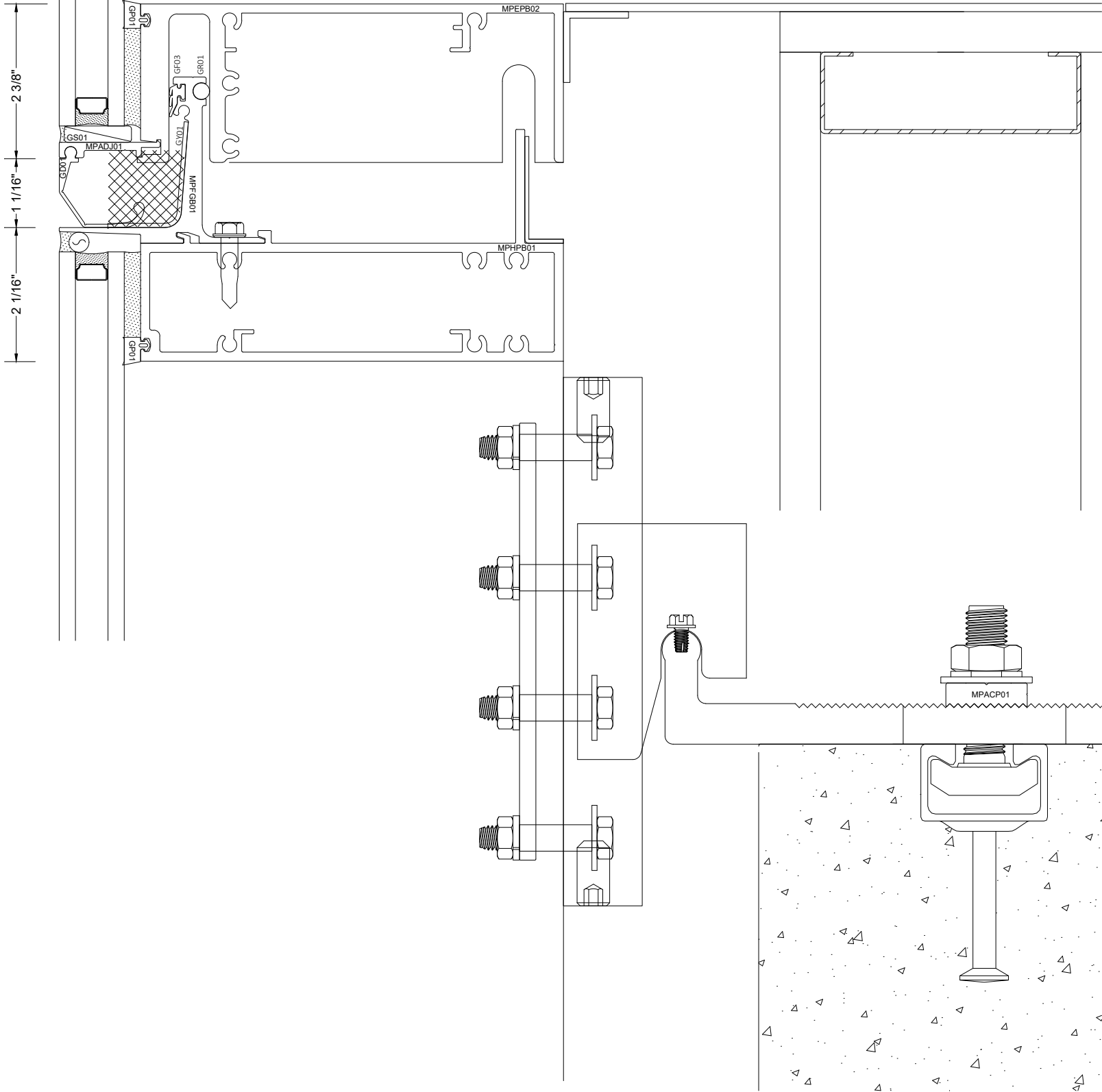


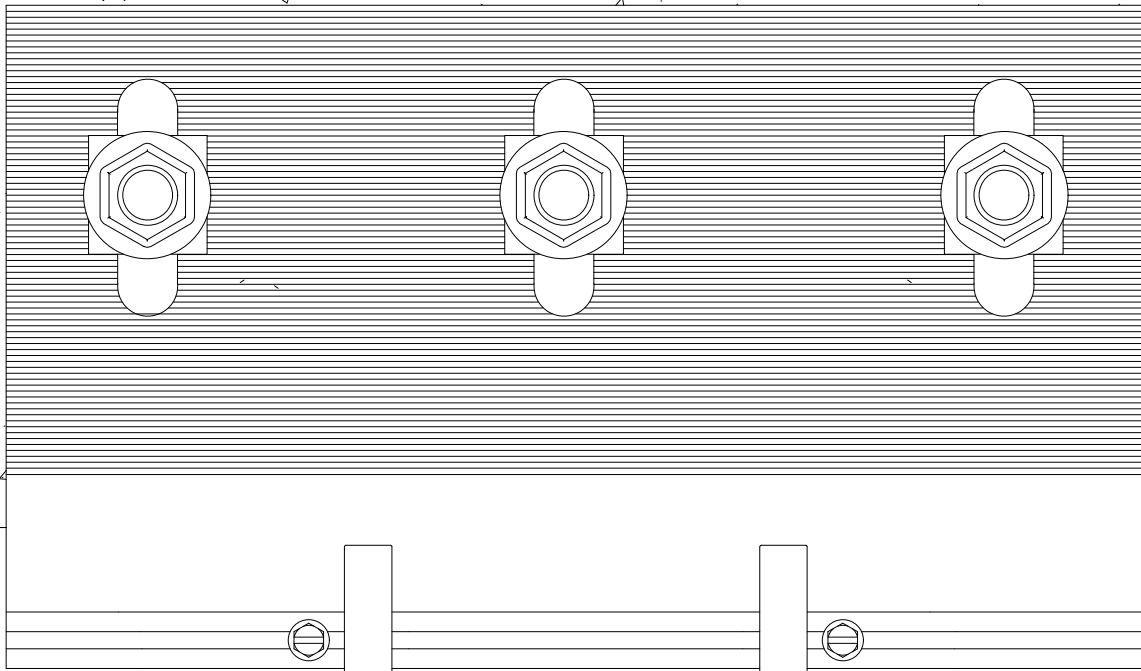


**SSG  
 BACK OF MULLION ANCHOR  
 PLAN VIEW**

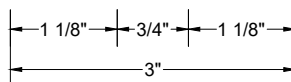
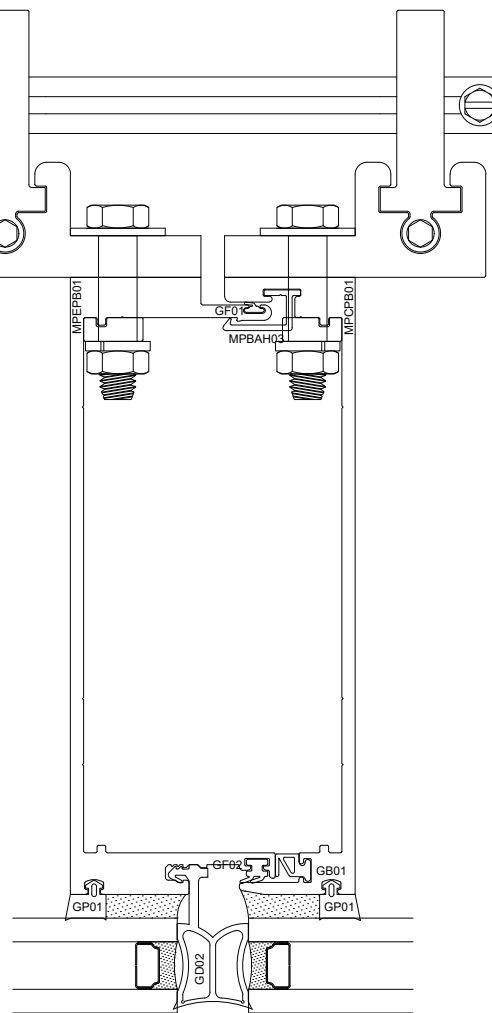


**SSG  
 BACK OF MULLION ANCHOR  
 TOP OF SLAB**



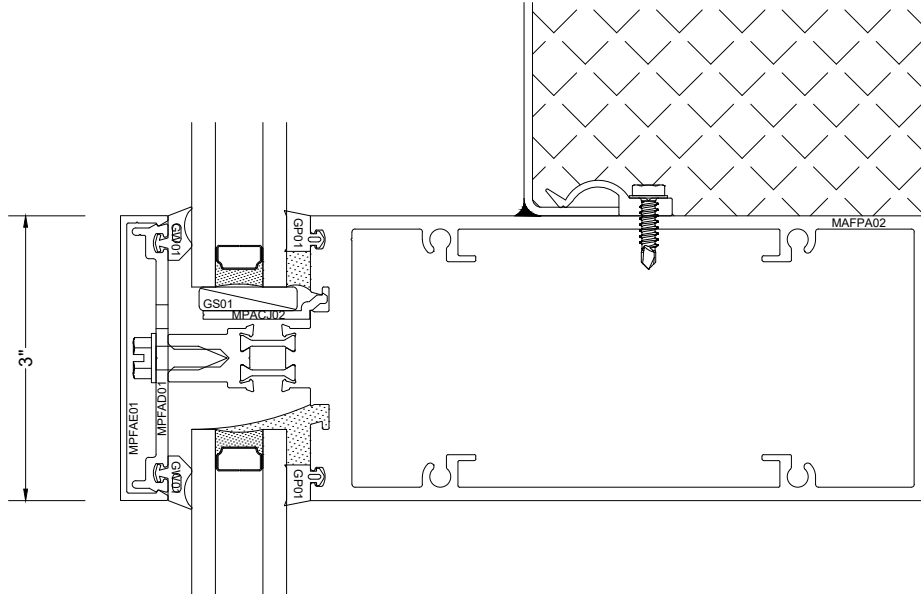


**SSG  
 BACK OF MULLION ANCHOR  
 PLAN VIEW**



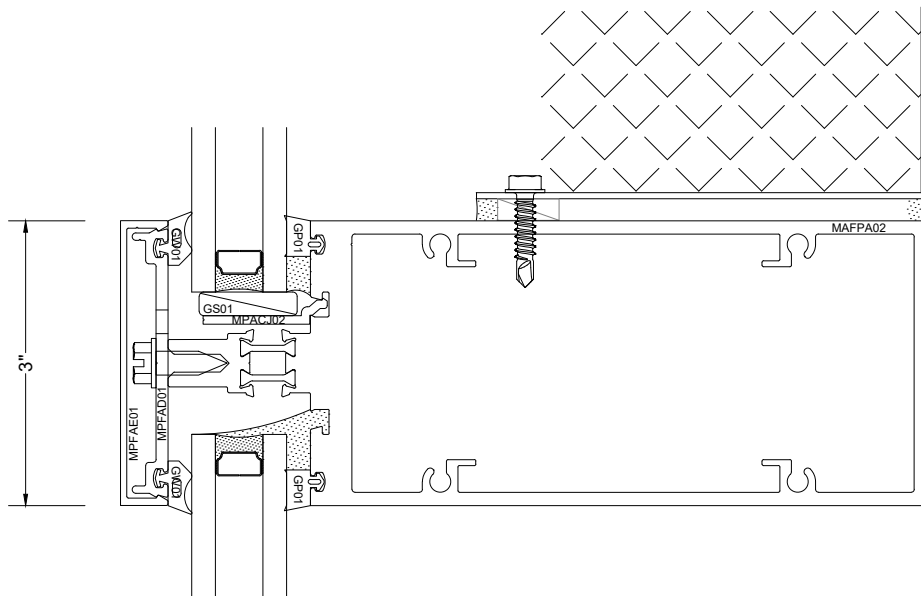
**SHADOW BOX  
 AND INSULATION**

**CAPTURED  
 HORIZONTAL**



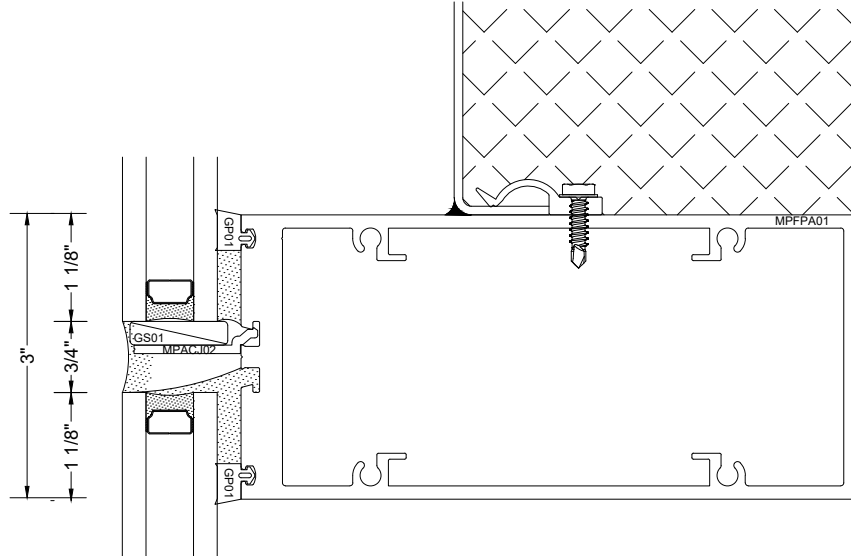
**BACKPAN  
 AND INSULATION**

**CAPTURED  
 HORIZONTAL**



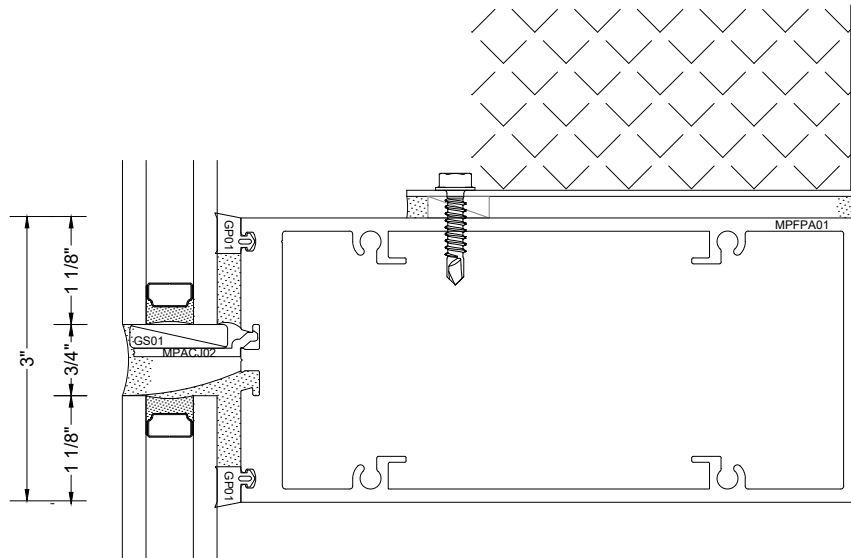
**SHADOW BOX  
 AND INSULATION**

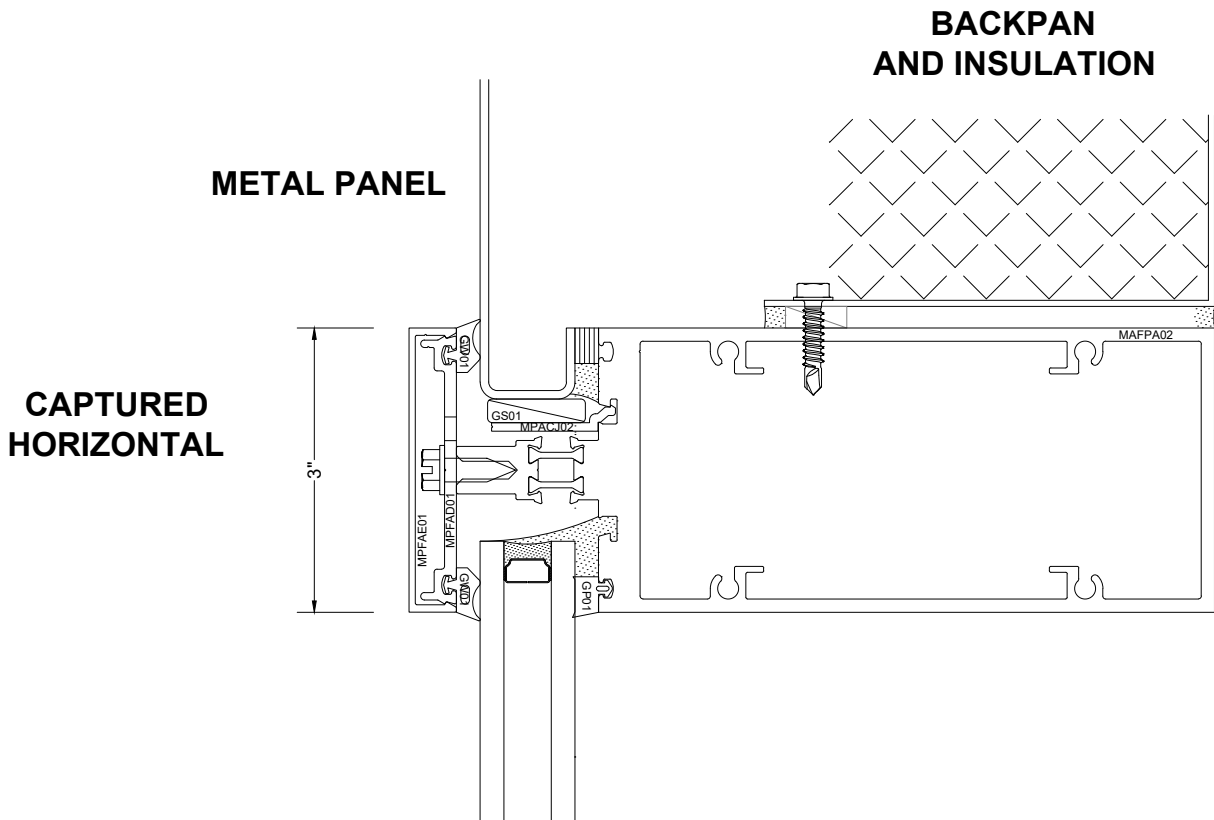
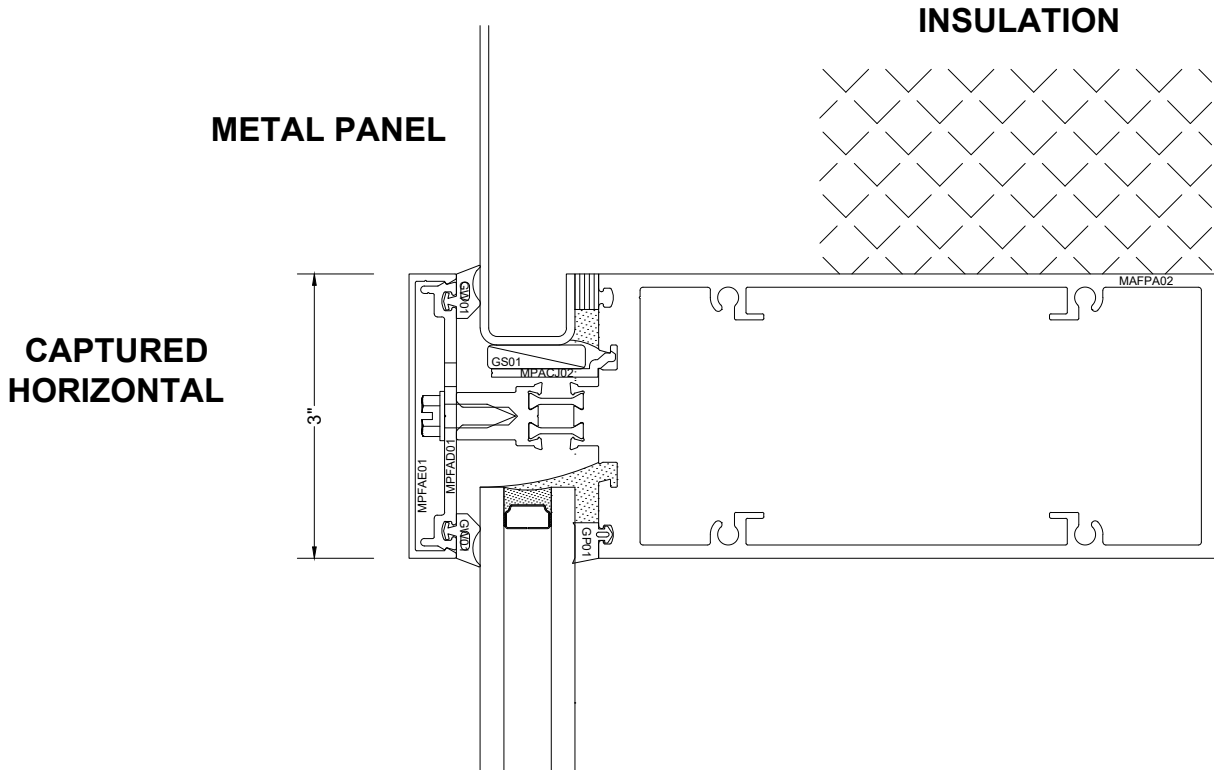
**SSG  
 HORIZONTAL**

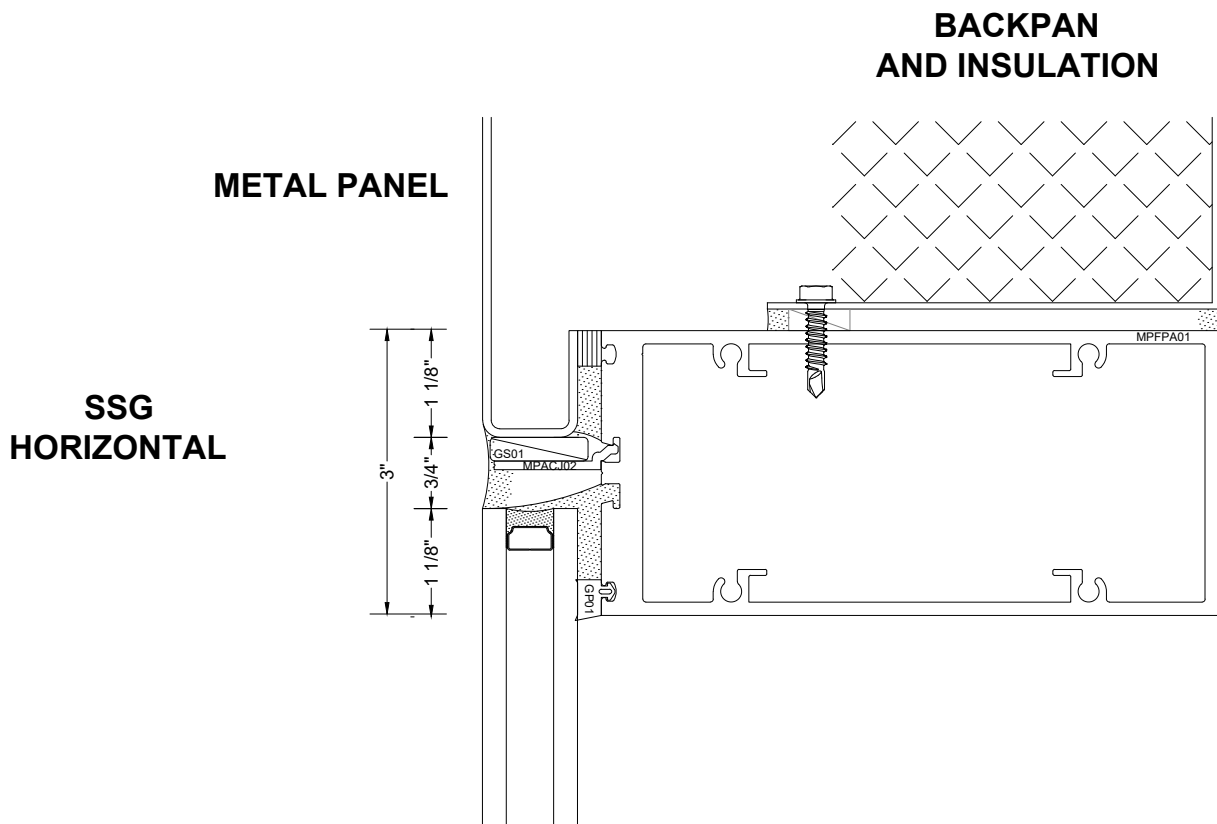
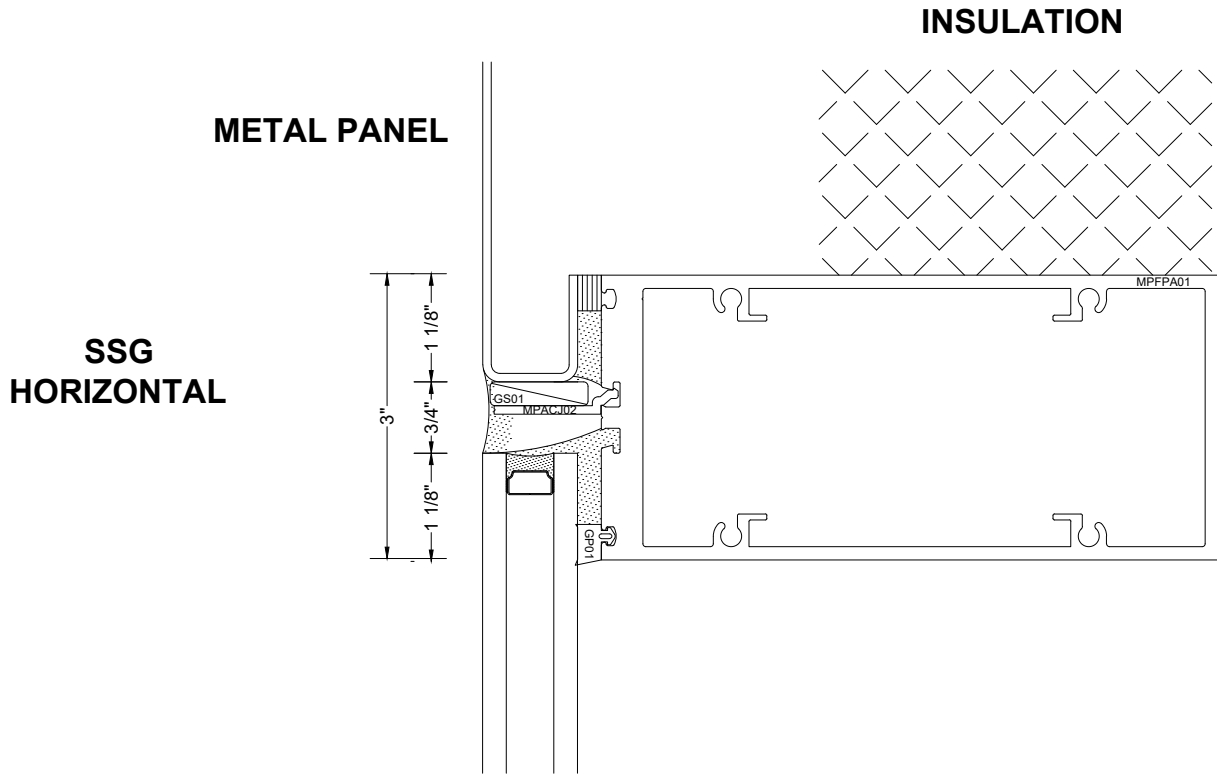


**BACKPAN  
 AND INSULATION**

**SSG  
 HORIZONTAL**

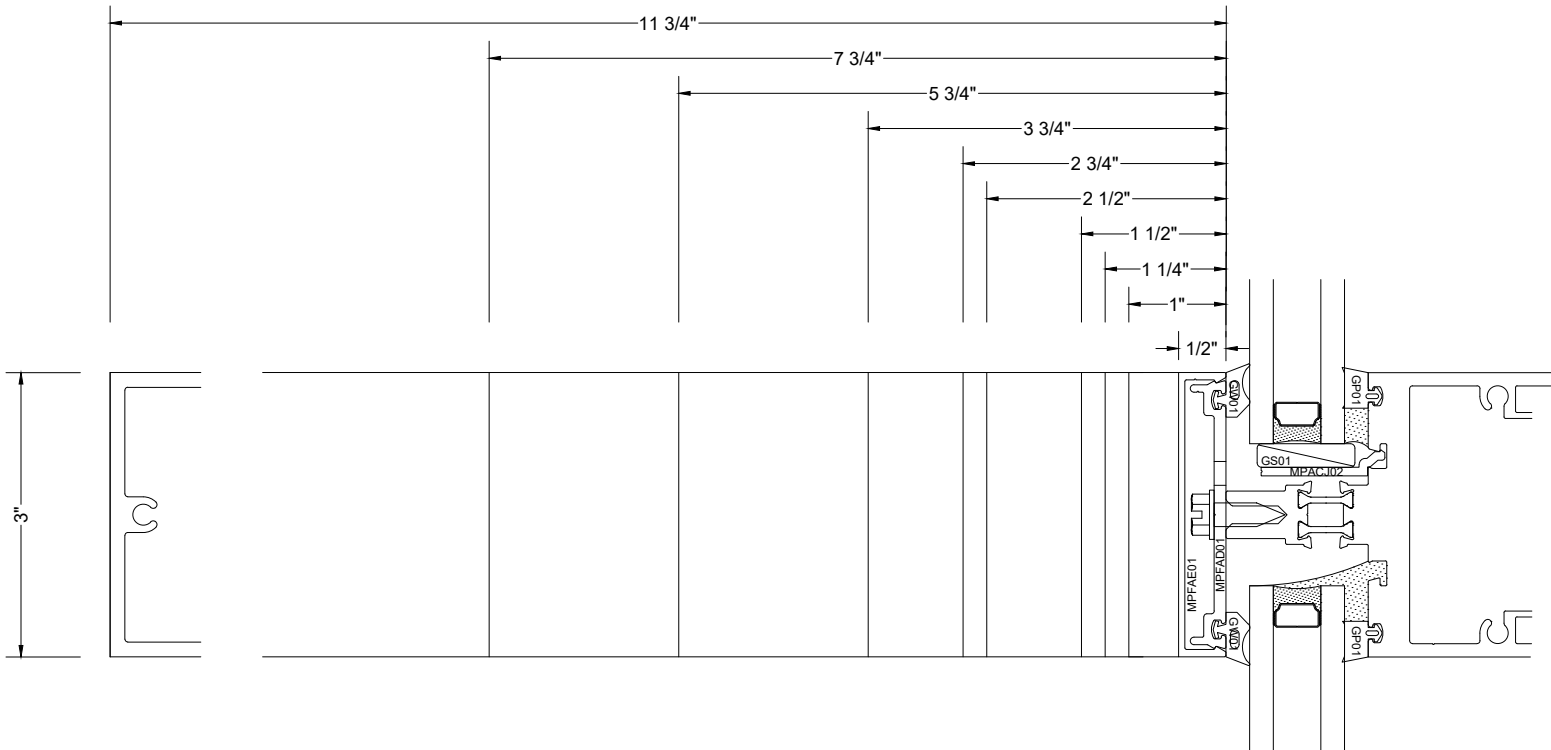




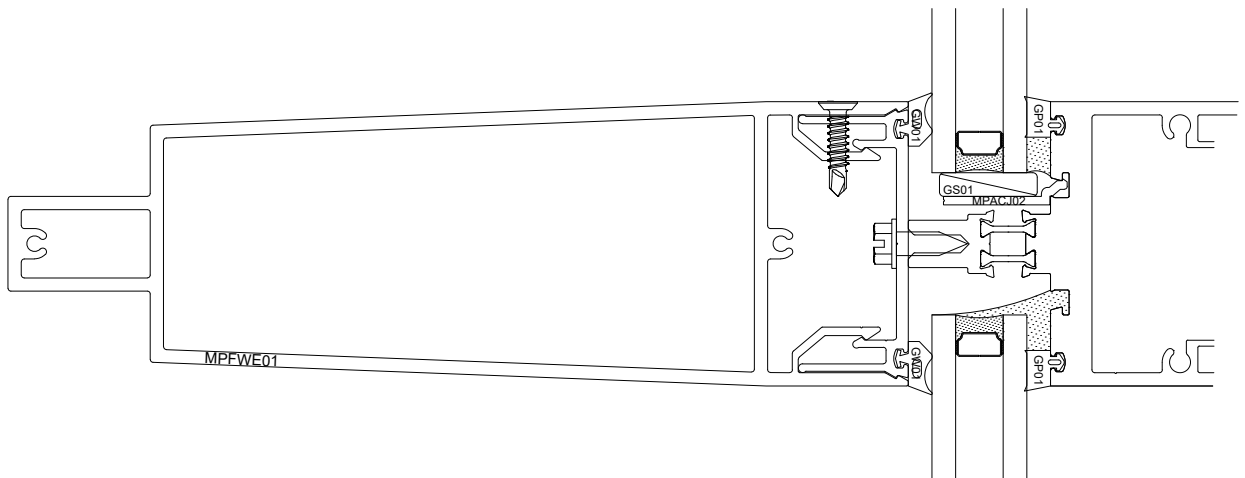




**EXTENDED COVERS**



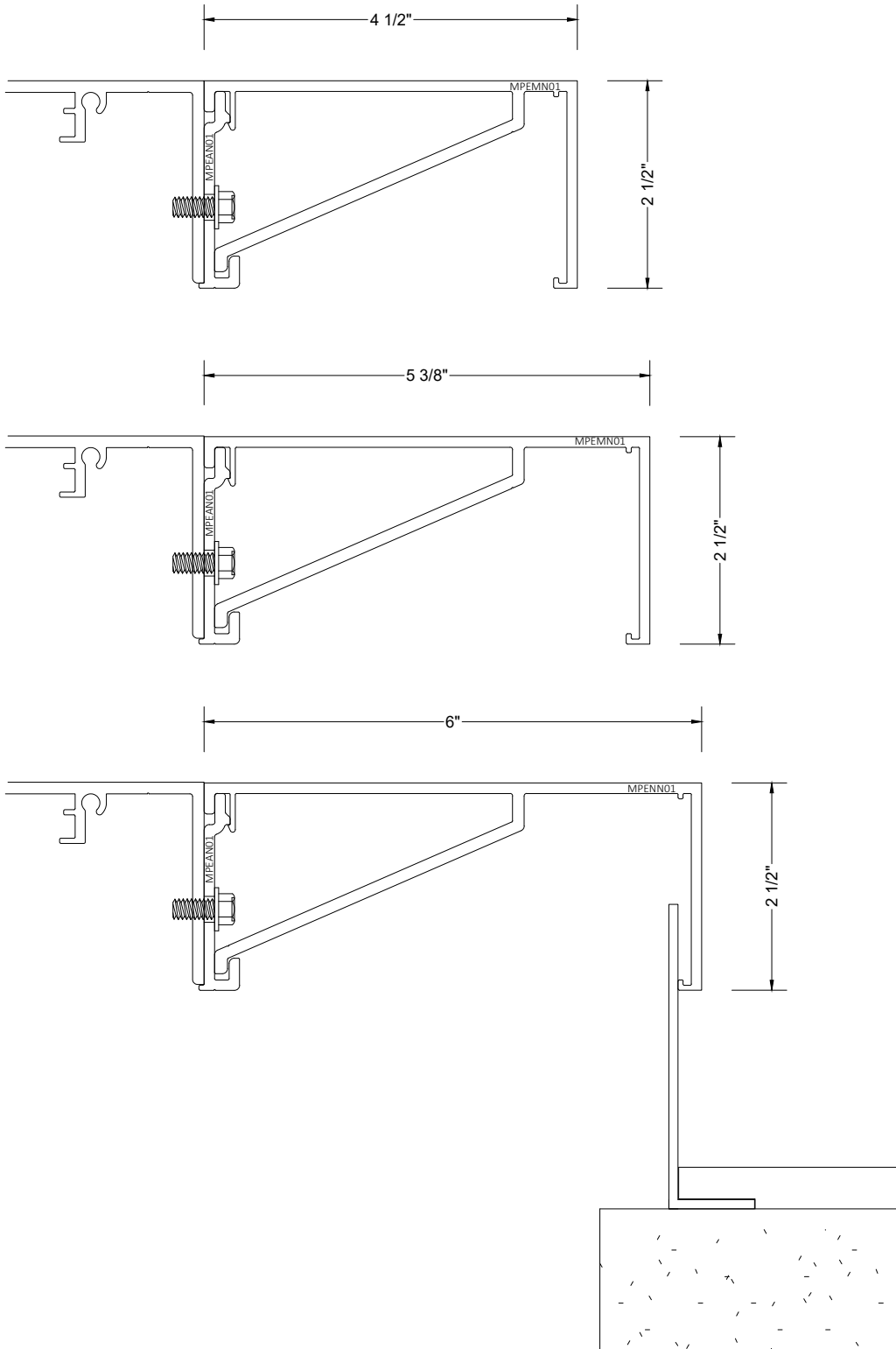
**CUSTOM SHAPES**



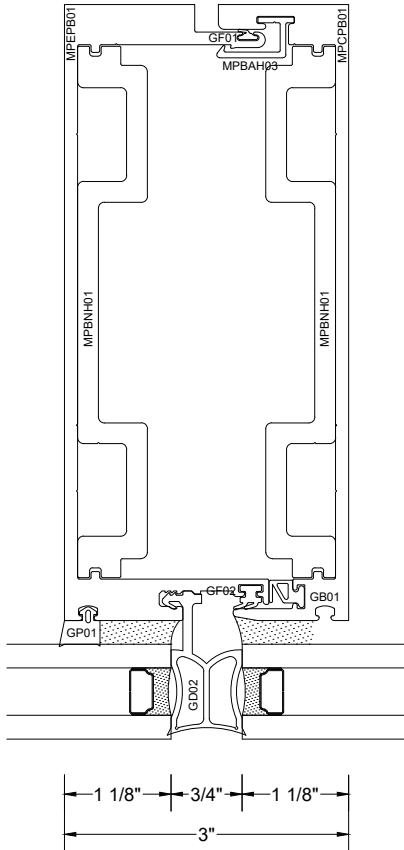
**NOTE:** Exterior covers extending more than 4" are secured to the pressure plate by fasteners or pins as determined by structural analysis.

Contact a JR Butler representative for custom shapes.

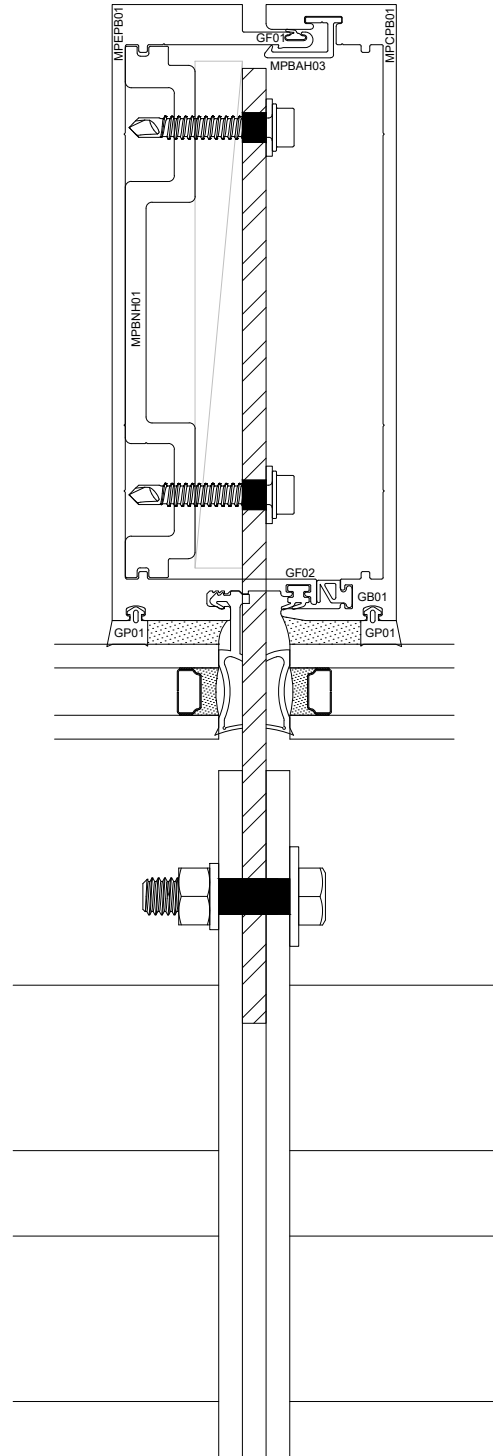
**INTERIOR STOOL TRIM**



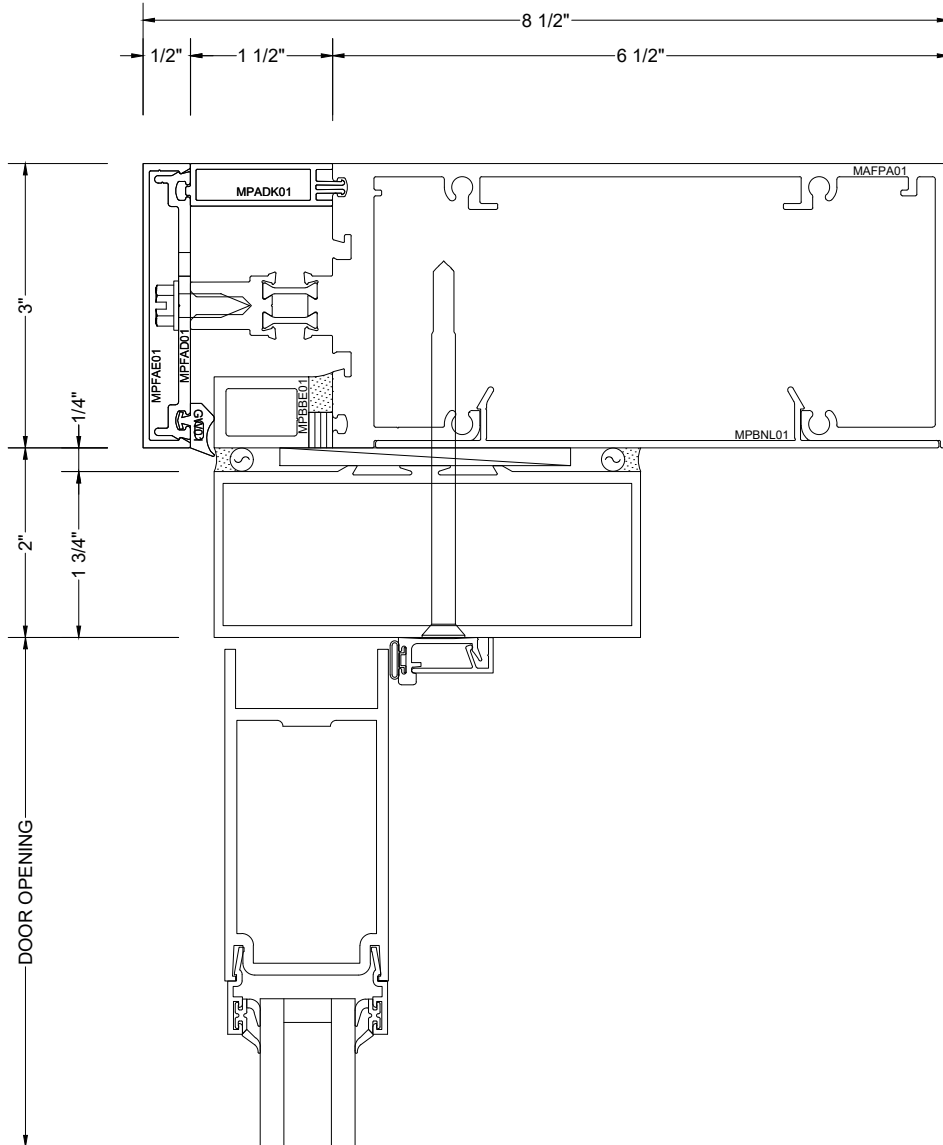
**INTERNAL REINFORCEMENT**



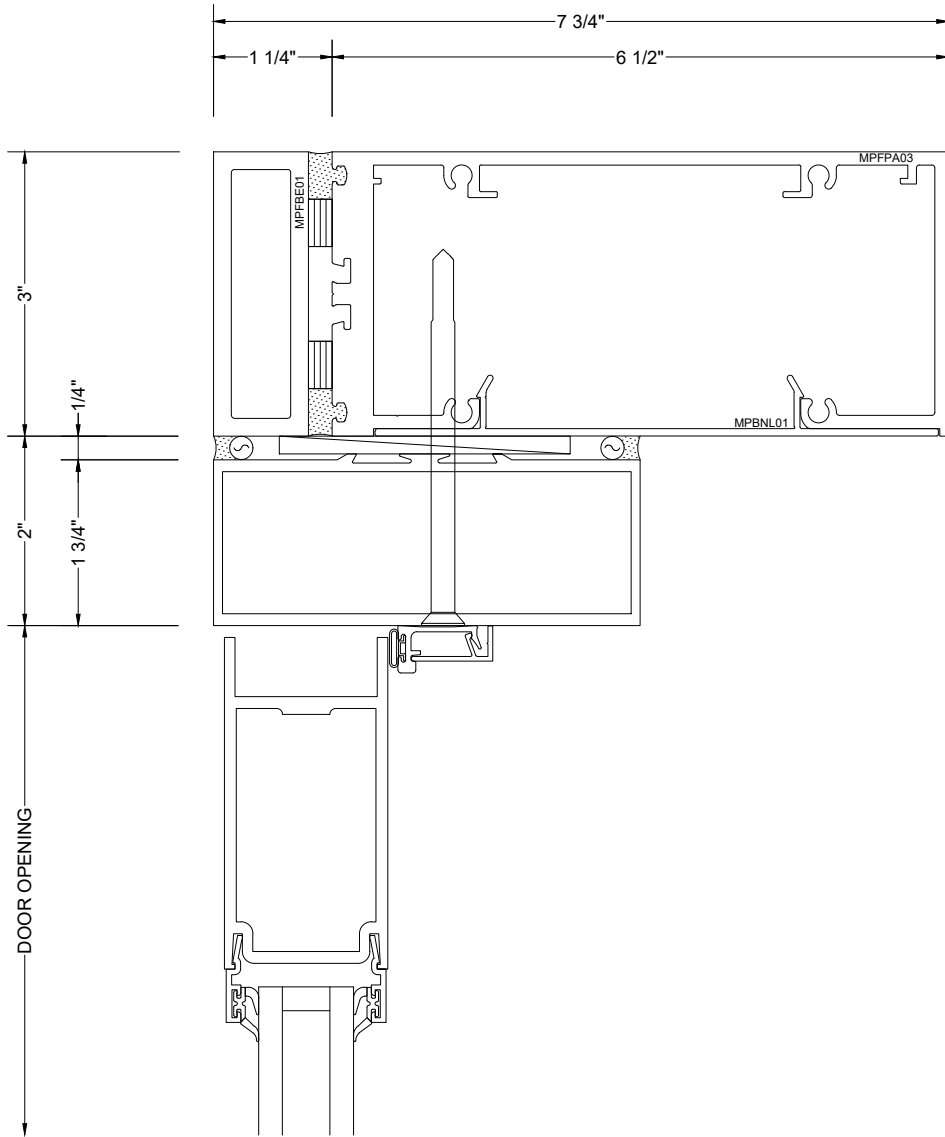
**SUNSHADE ATTACHMENT**



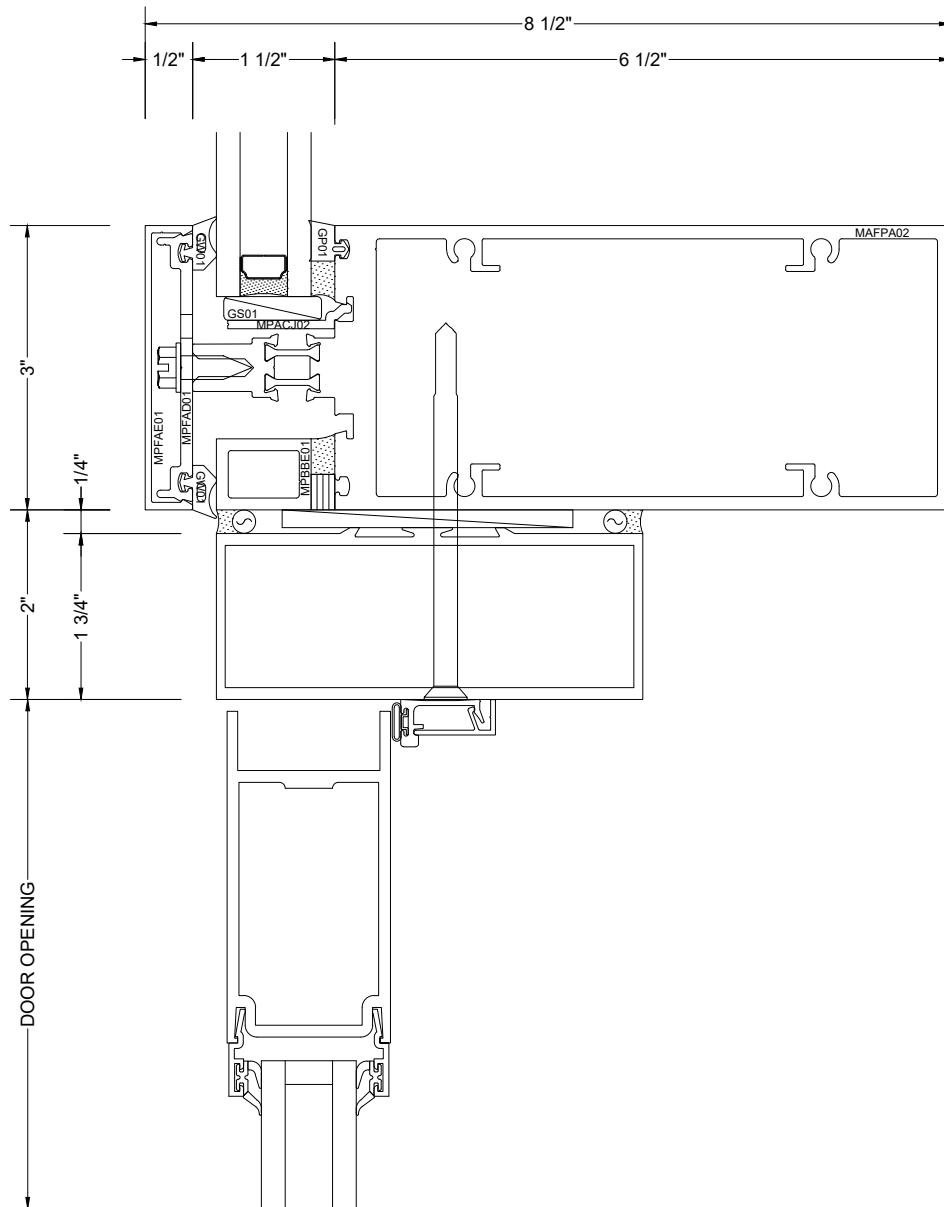
**HEAD CAPTURED**  
 PROJECT OUT ENTRANCE



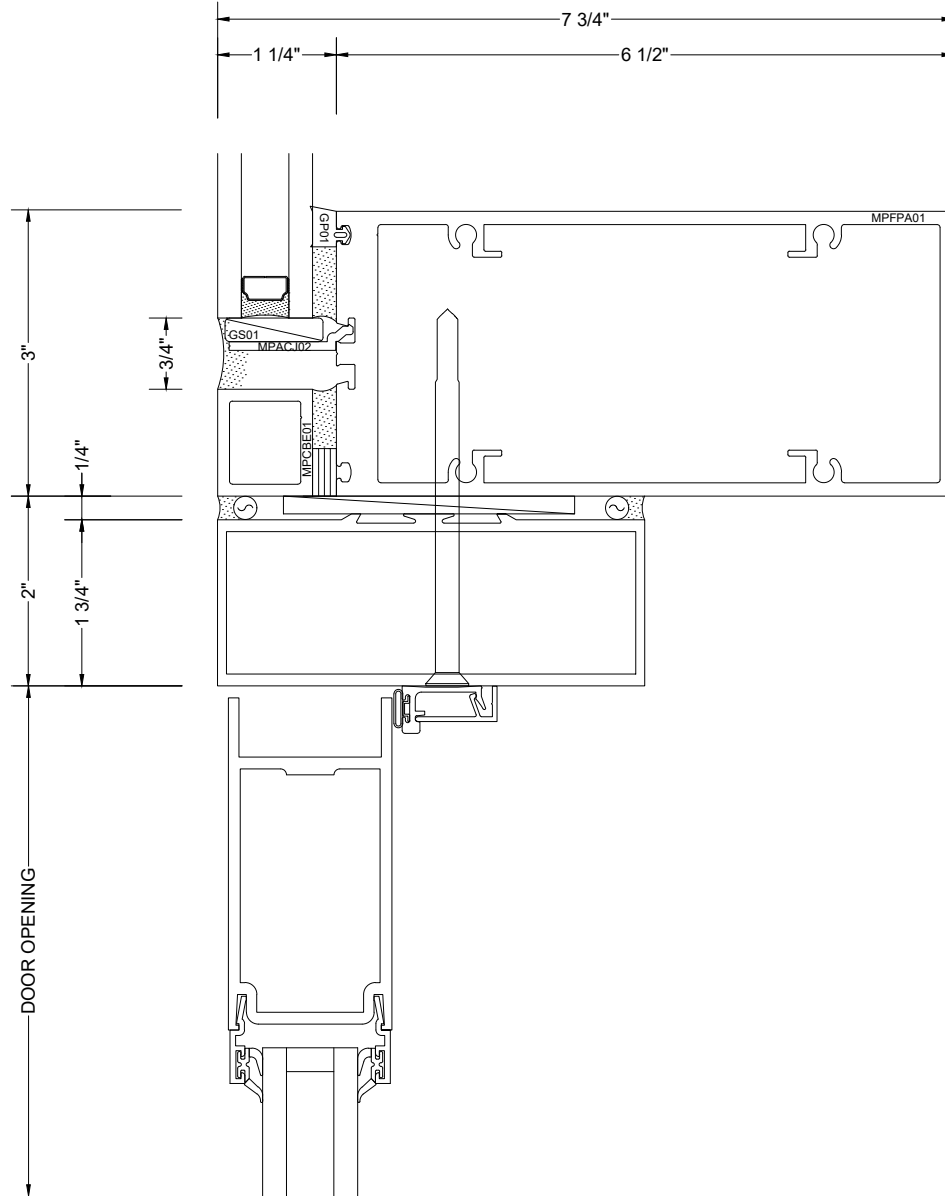
**HEAD SSG**  
 PROJECT OUT ENTRANCE



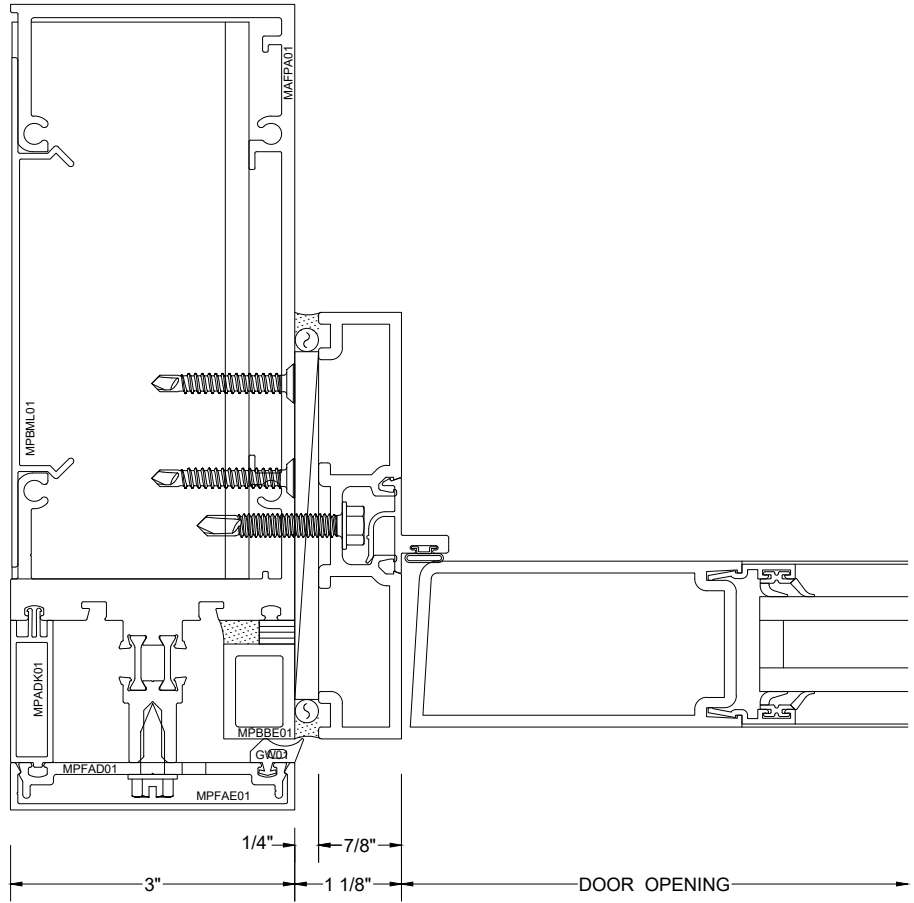
**HORIZONTAL CAPTURED  
 PROJECT OUT ENTRANCE**



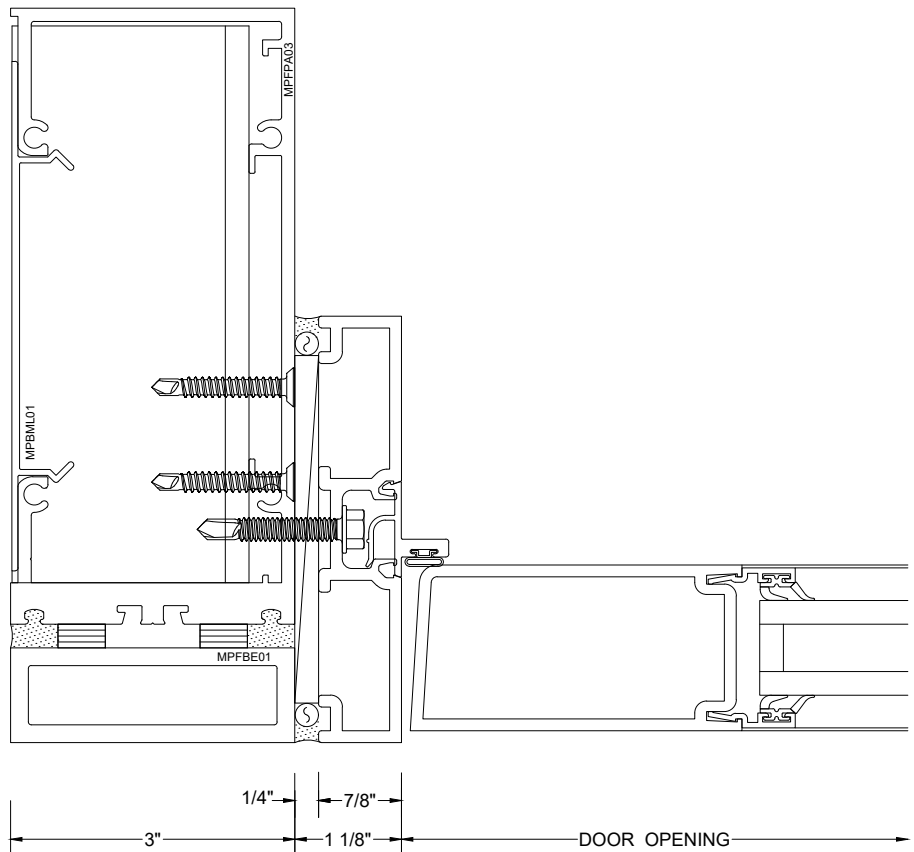
**HORIZONTAL SSG**  
 PROJECT OUT ENTRANCE



**JAMB CAPTURED**  
 PROJECT OUT ENTRANCE

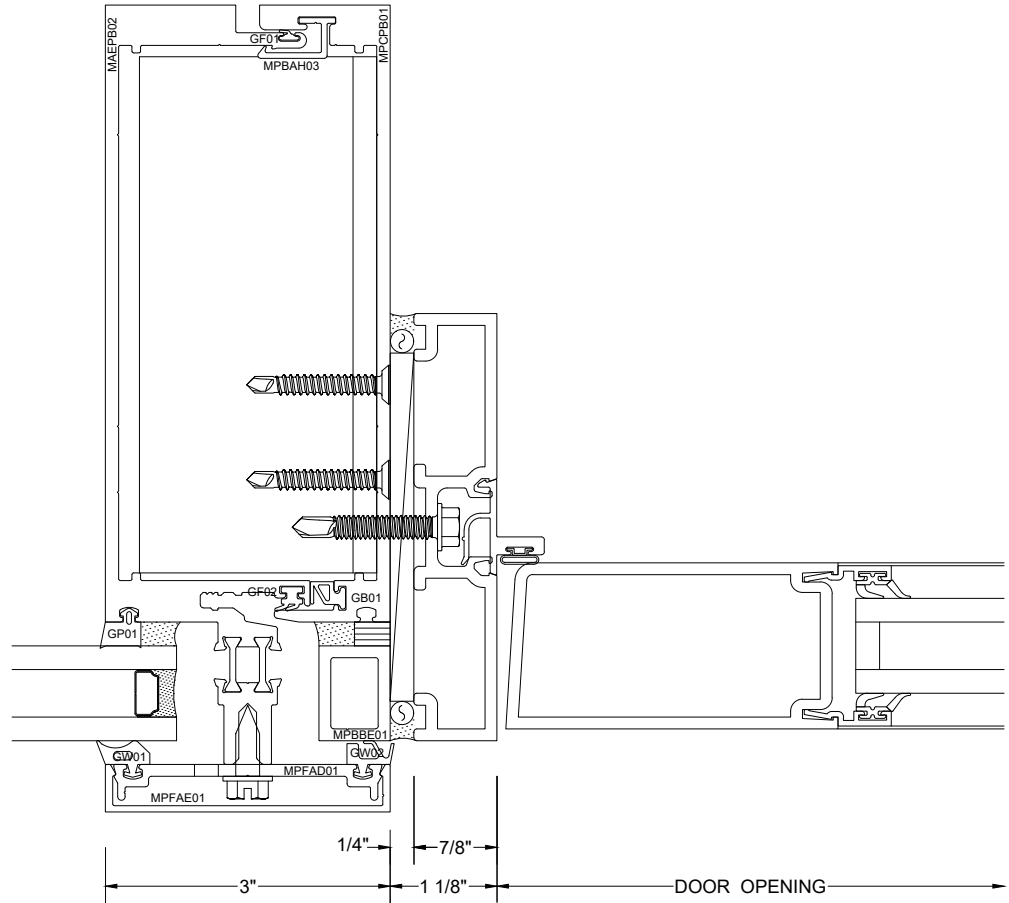


**JAMB SSG**  
 PROJECT OUT ENTRANCE

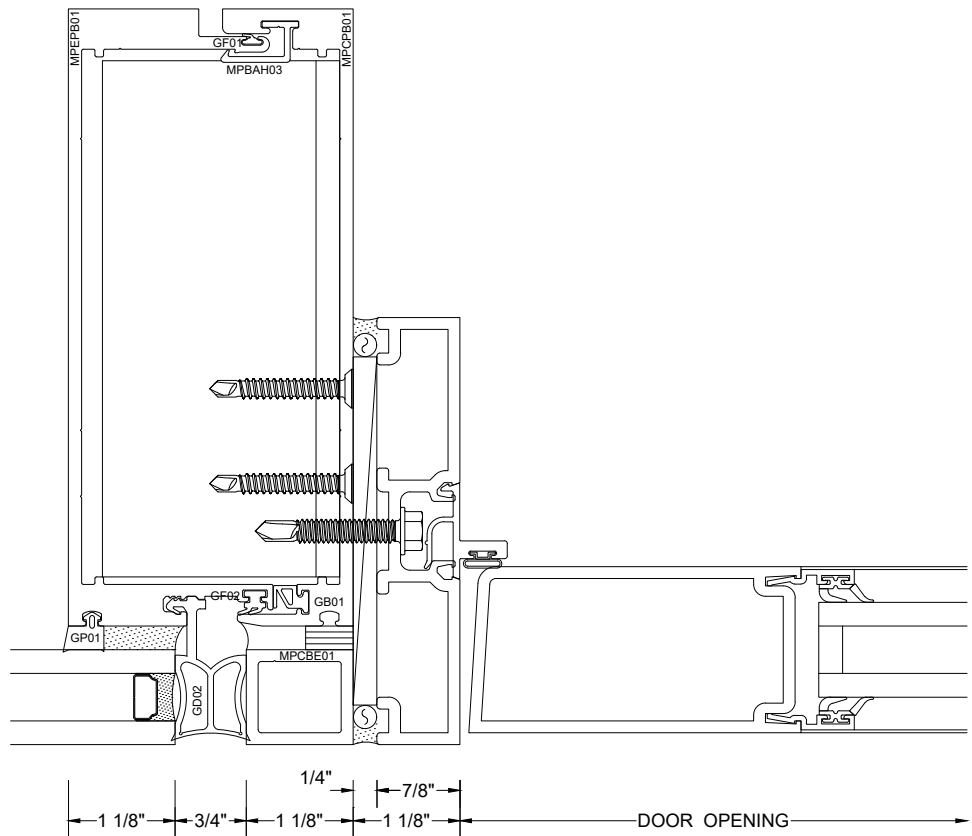




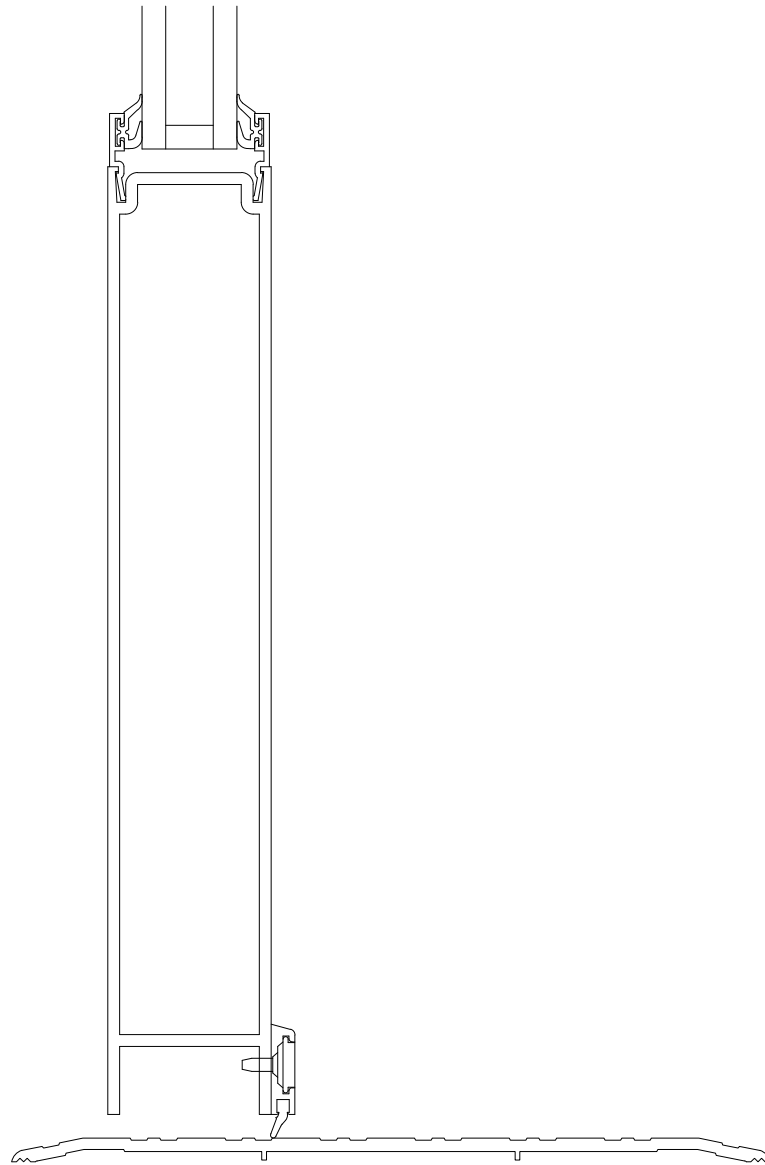
**VERTICAL CAPTURED**  
 PROJECT OUT ENTRANCE



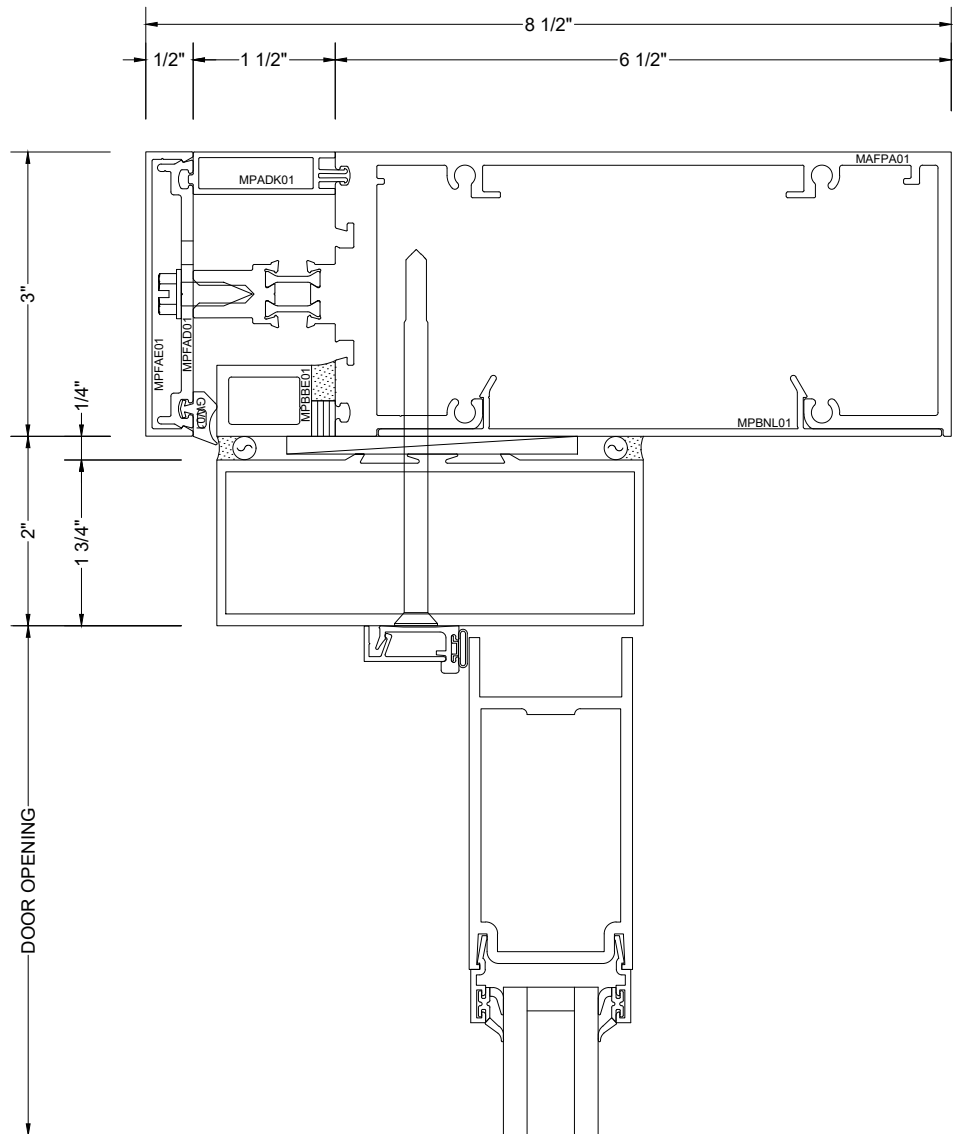
**VERTICAL SSG**  
 PROJECT OUT ENTRANCE



**SILL**  
PROJECT OUT ENTRANCE

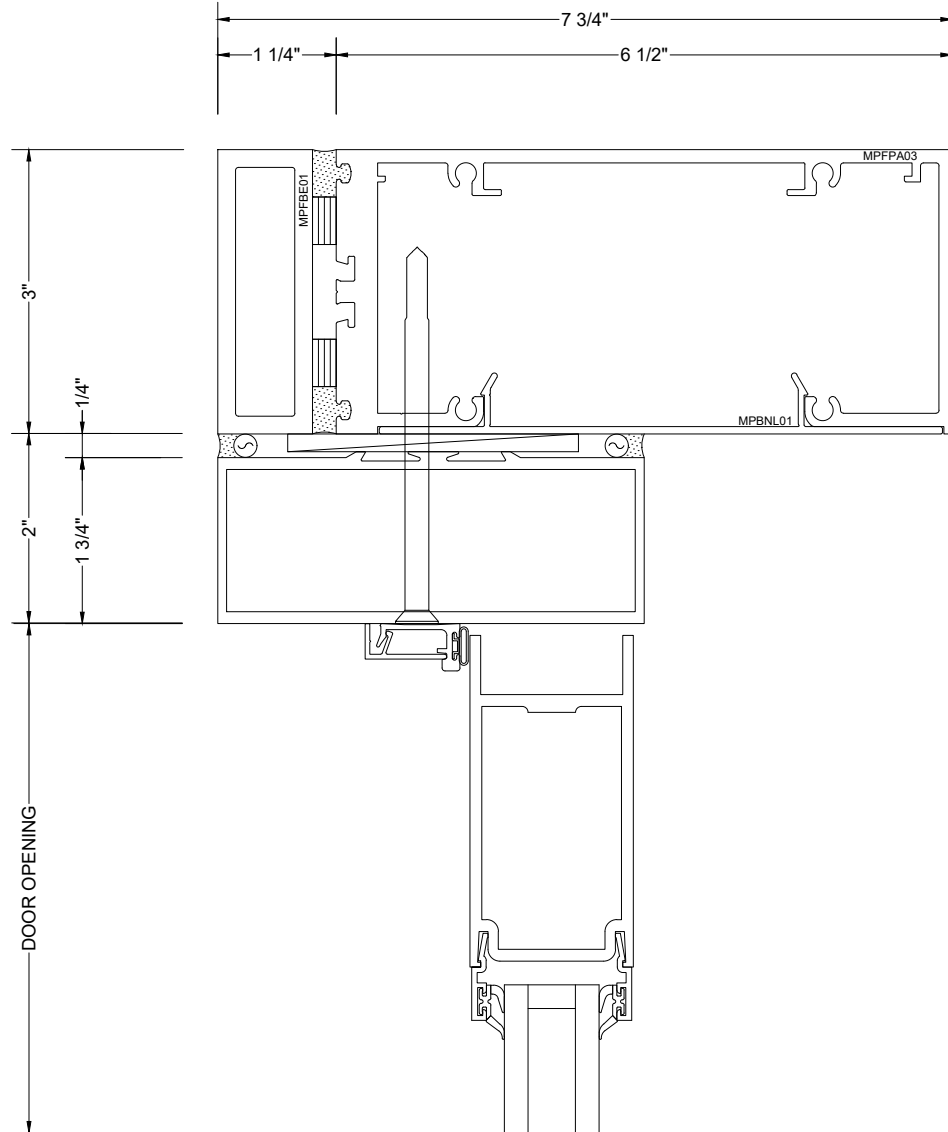


**HEAD CAPTURED**  
 PROJECT IN ENTRANCE

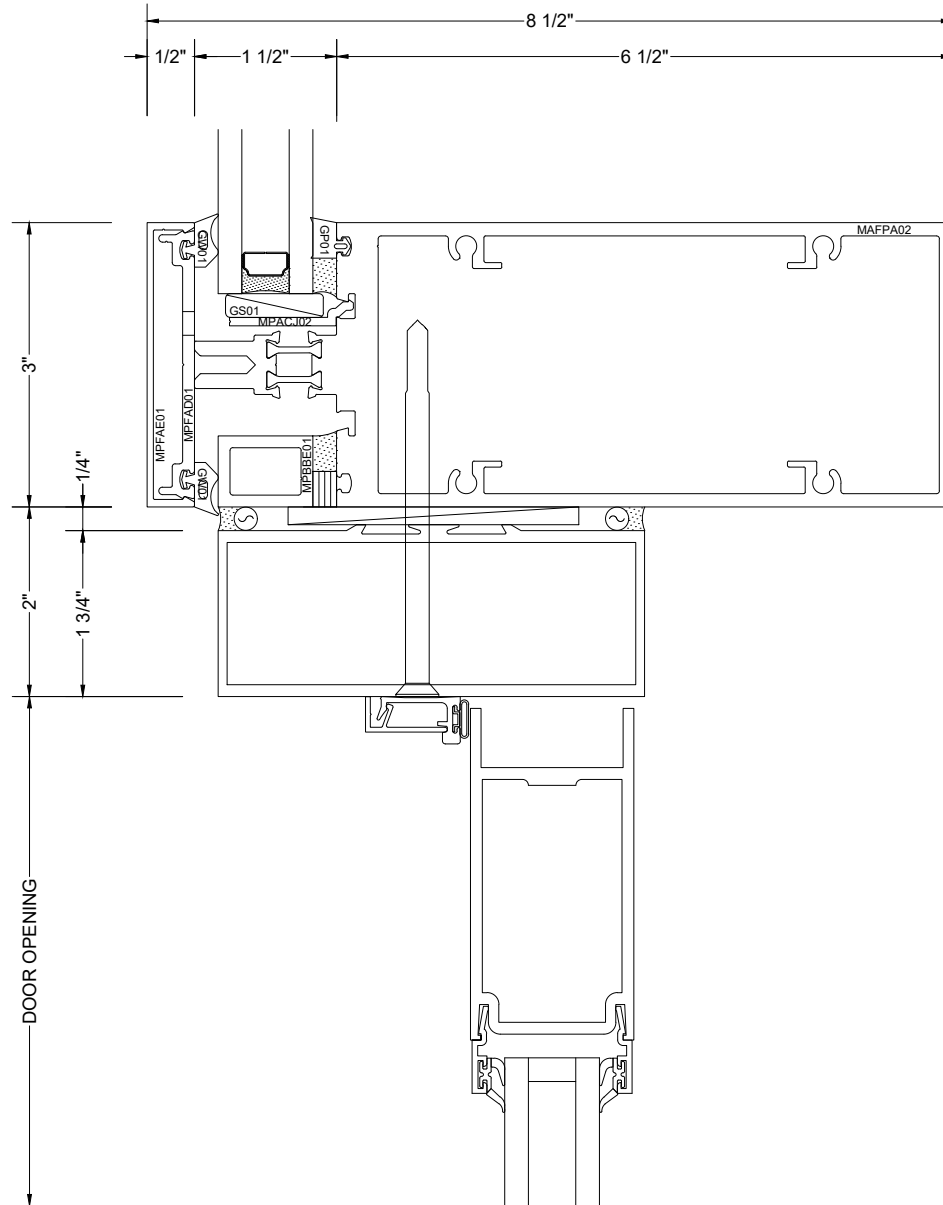


**HEAD SSG**

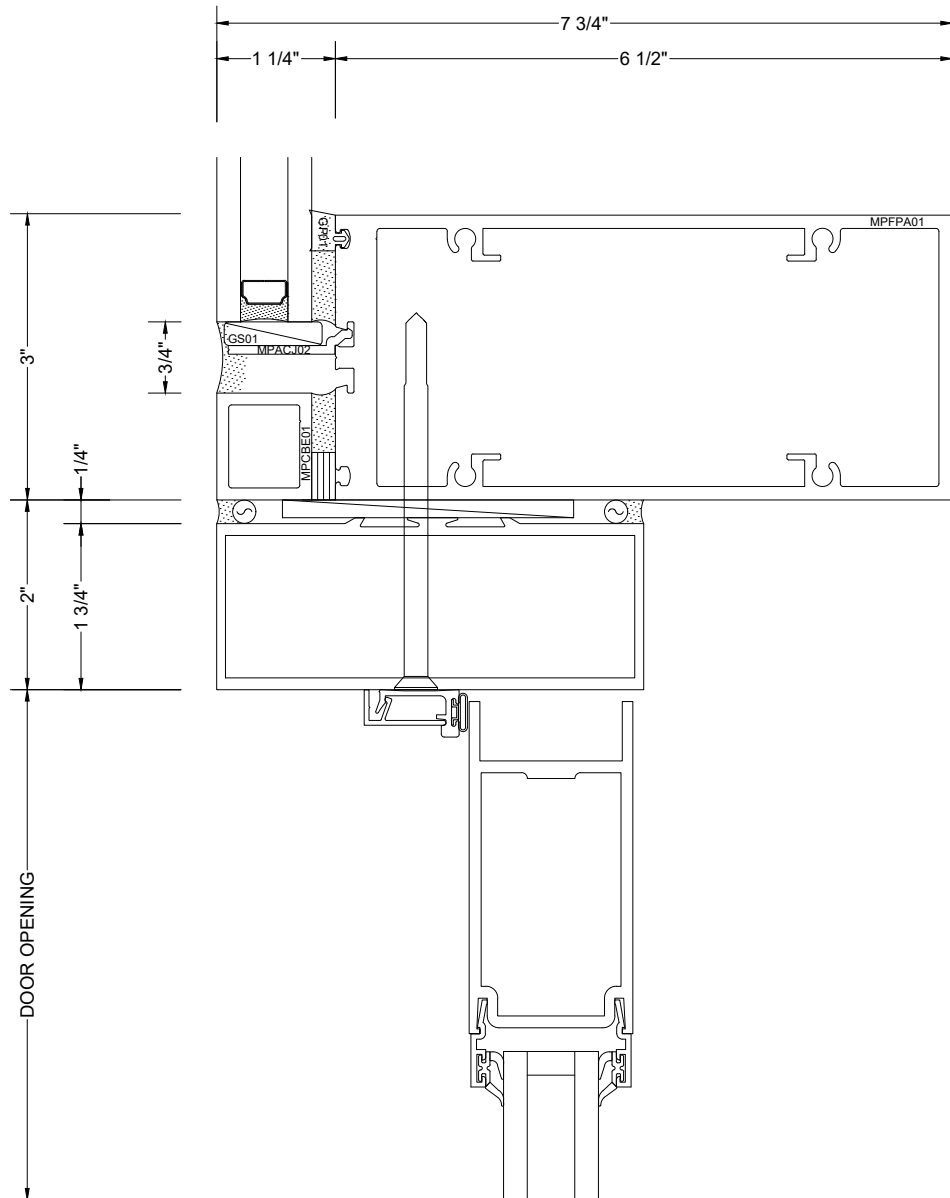
PROJECT IN ENTRANCE



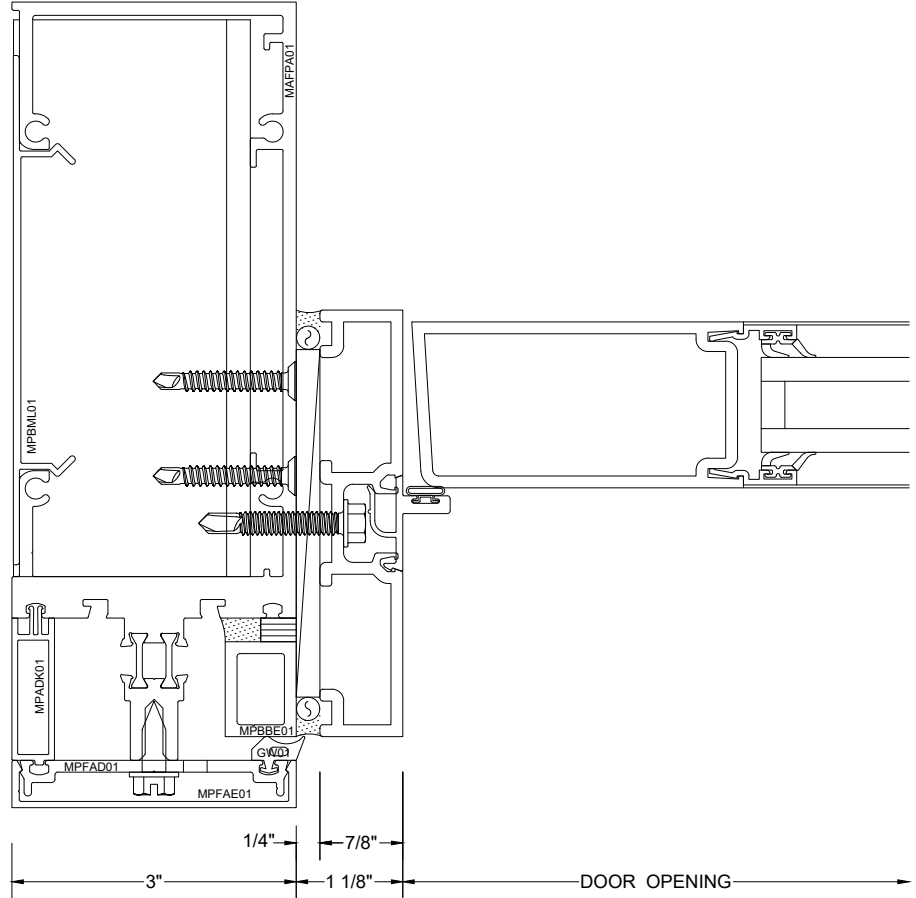
**HORIZONTAL CAPTURED  
 PROJECT IN ENTRANCE**



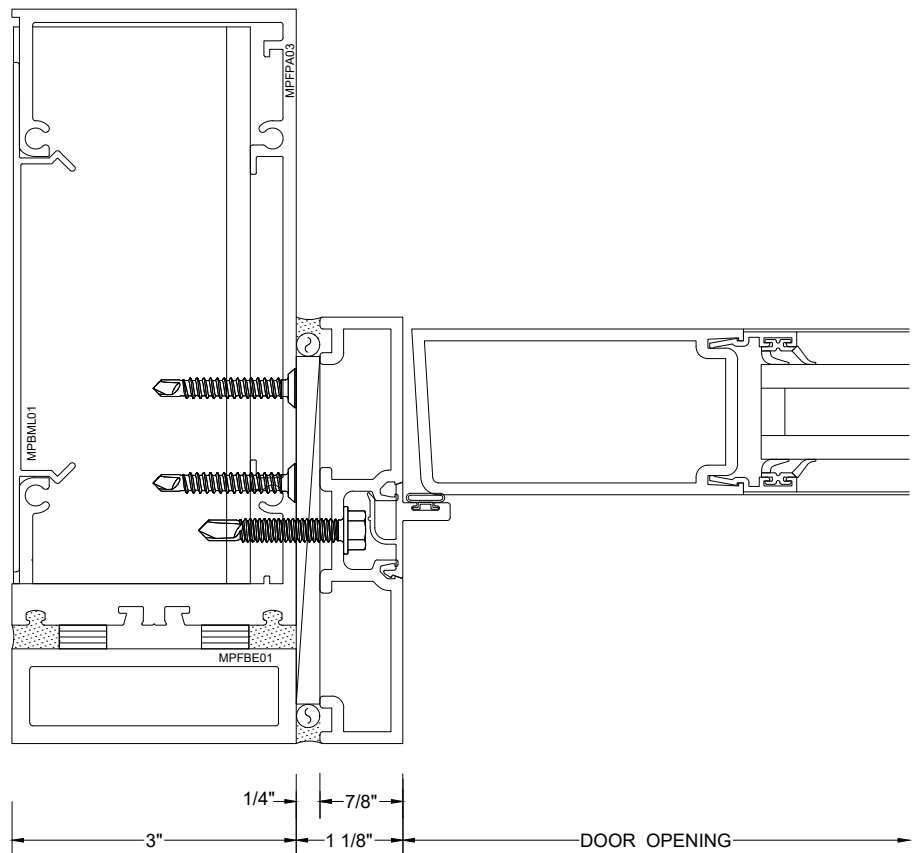
**HORIZONTAL SSG**  
 PROJECT IN ENTRANCE



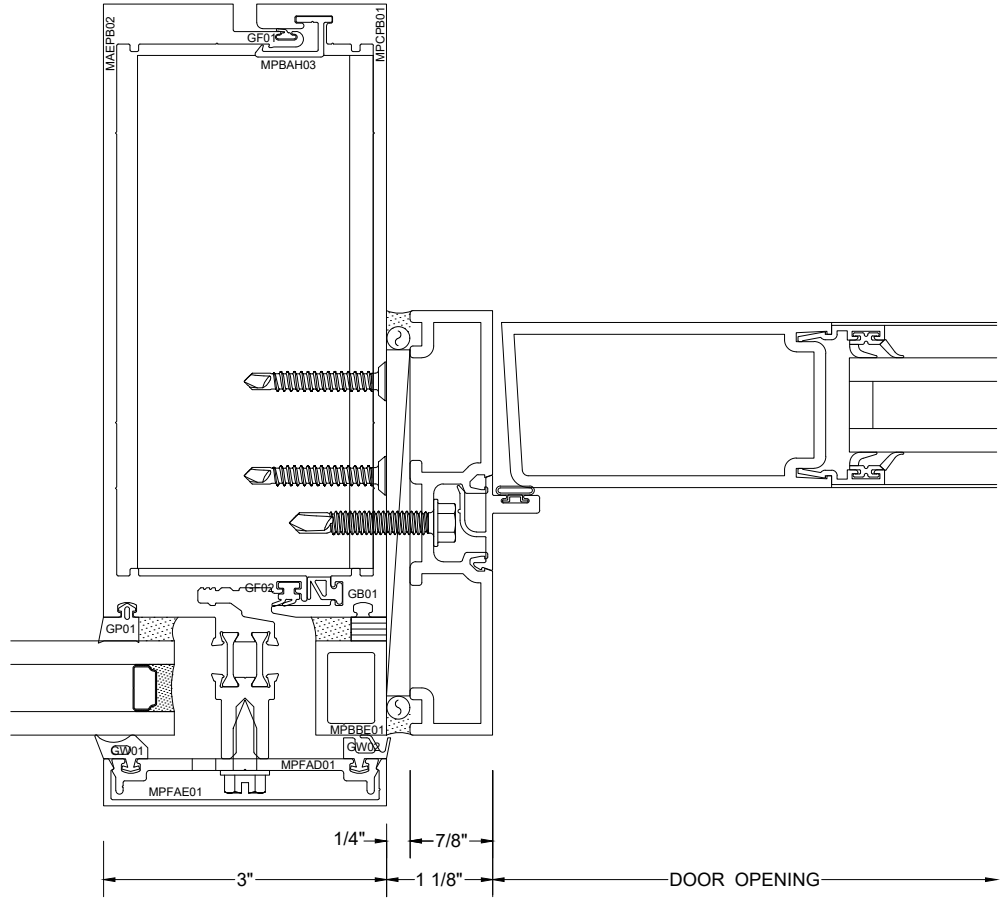
**JAMB CAPTURED**  
 PROJECT IN ENTRANCE



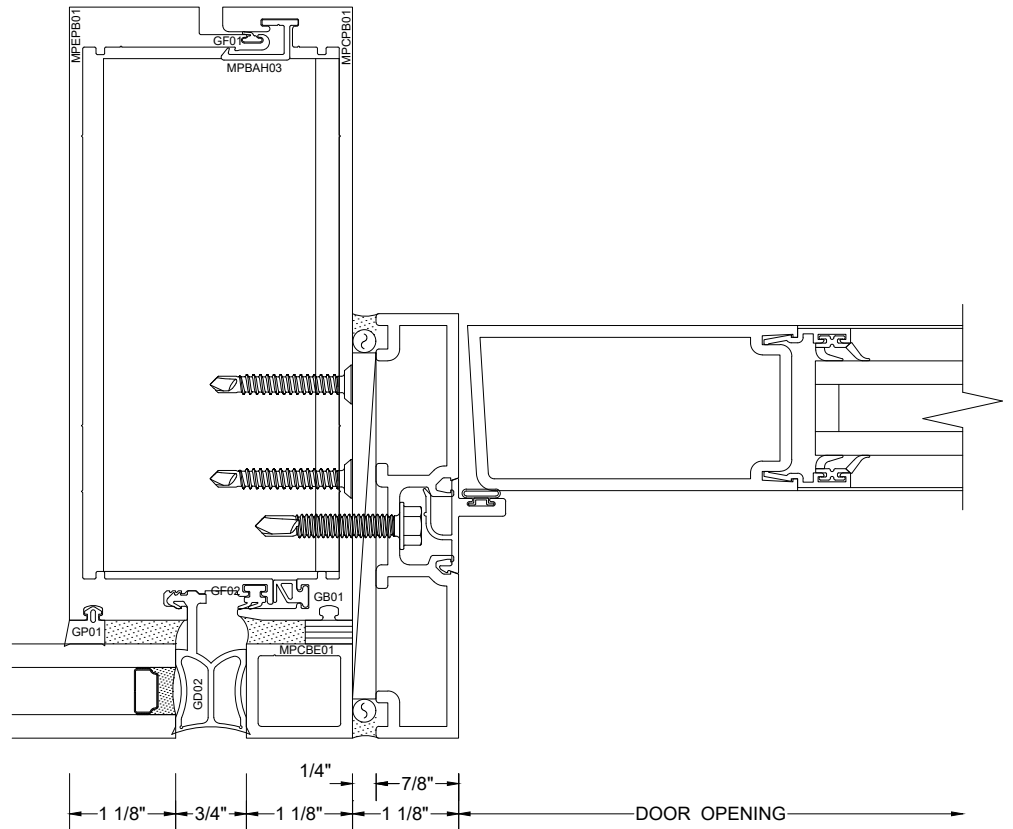
**JAMB SSG**  
 PROJECT IN ENTRANCE



**VERTICAL CAPTURED**  
 PROJECT IN ENTRANCE



**VERTICAL SSG**  
 PROJECT IN ENTRANCE





**SILL**  
PROJECT IN ENTRANCE

