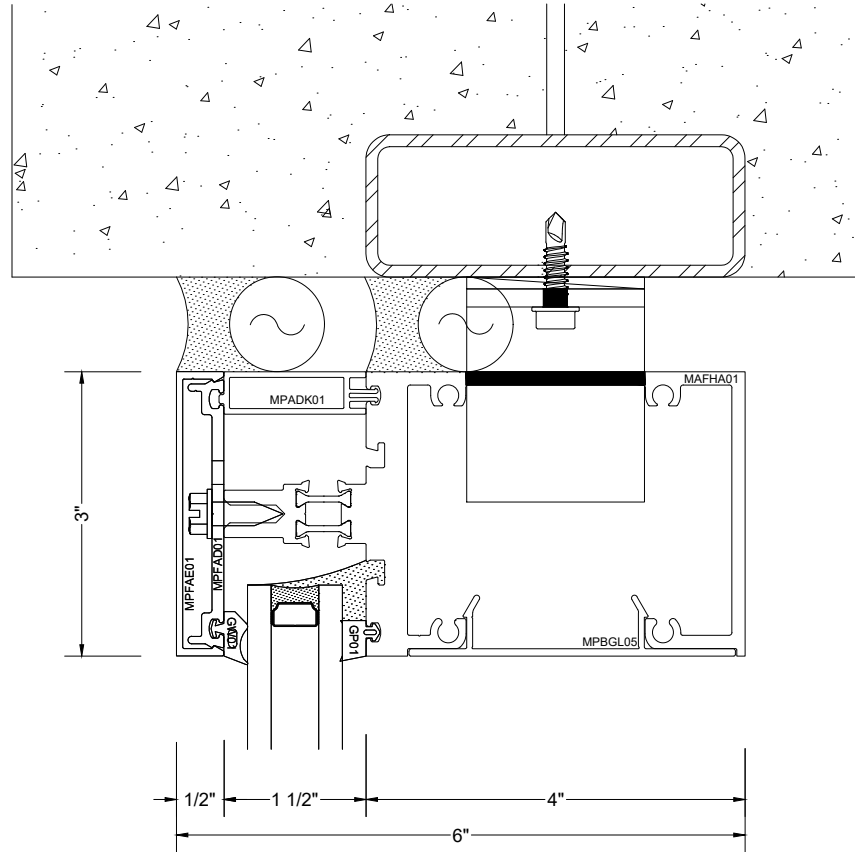




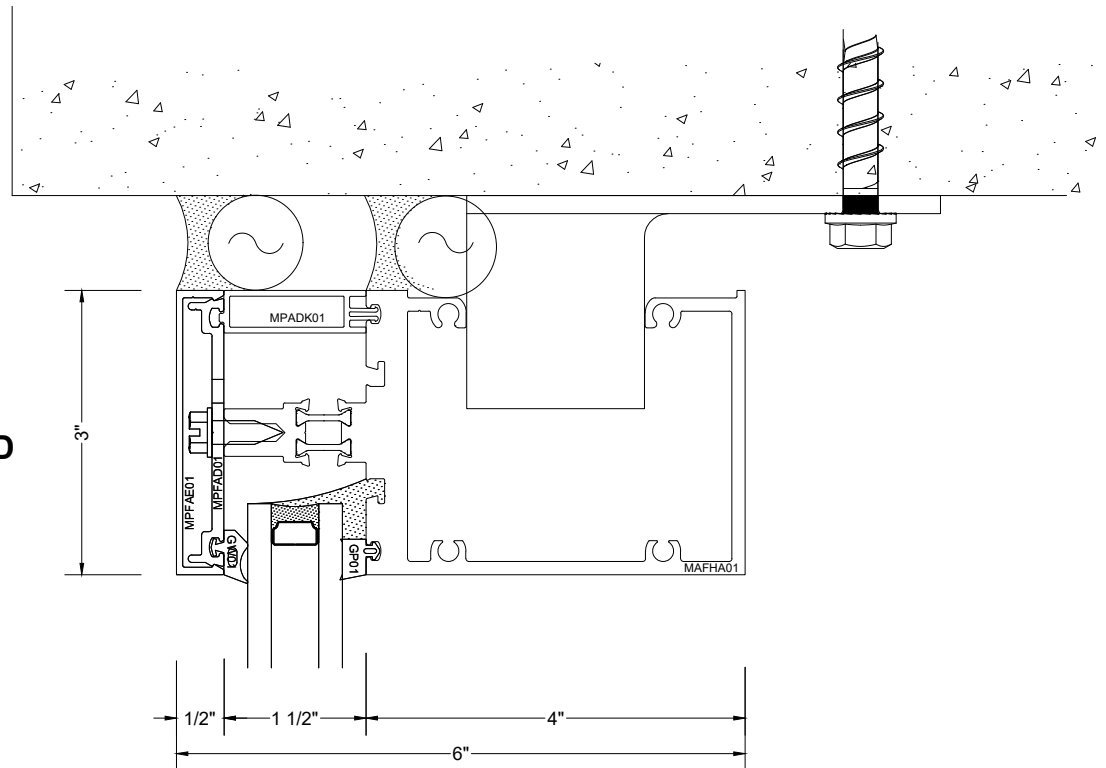
SECTION CONTENTS

| <u>DETAIL</u> | <u>PAGES</u> |
|--|--------------|
| Heads _____ | 3-4 |
| Sills _____ | 5-6 |
| Horizontals _____ | 7-8 |
| Jambs _____ | 9 |
| Vertical Stacks _____ | 10 |
| Corners _____ | 11 |
| Insert Vents _____ | 12-14 |
| Shadow box and backpan _____ | 15-16 |
| Metal panel _____ | 17-18 |
| Cover options _____ | 19 |
| Stool trim _____ | 20 |
| Reinforcement and sunshade blade _____ | 21 |
| Entrance Doors (PO) _____ | 22-28 |
| Entrance Doors (PI) _____ | 29-35 |

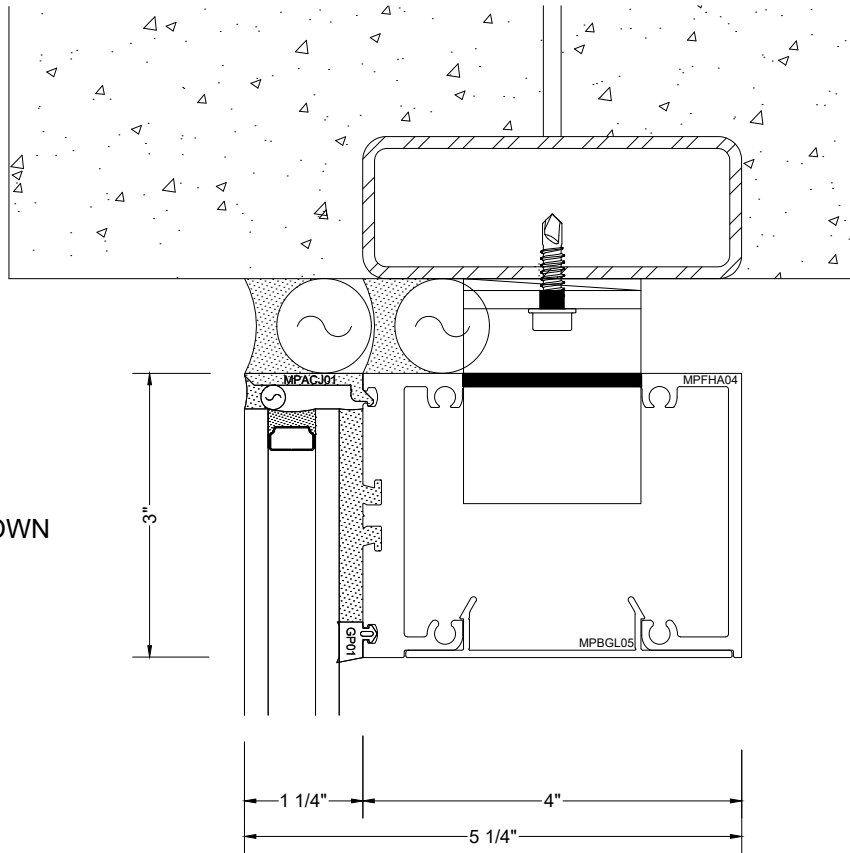
1 HEAD CAPTURED
 OPEN BACK DOWN
 WITH COVER



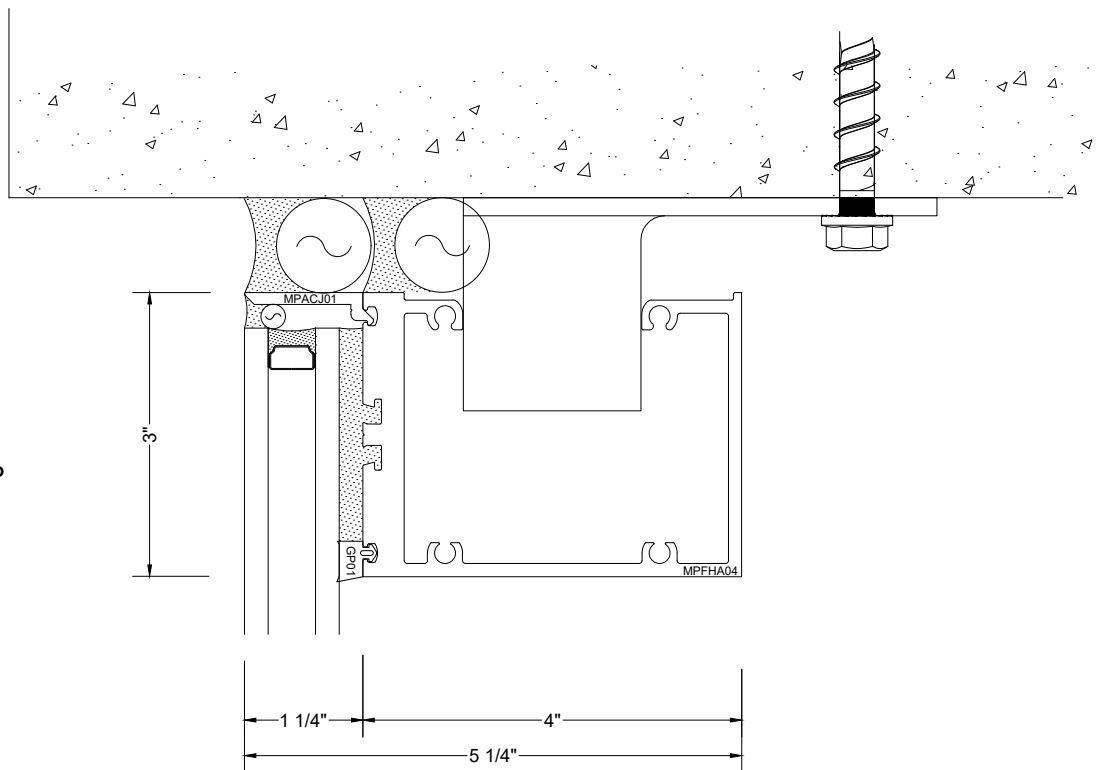
1A HEAD CAPTURED
 OPEN BACK UP



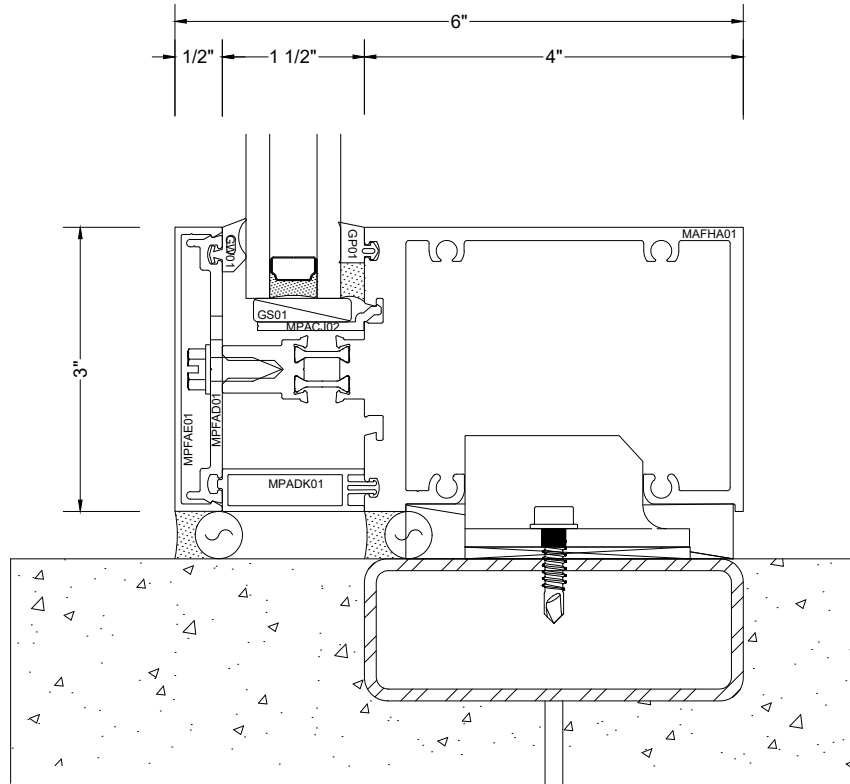
2 HEAD SSG
 OPEN BACK DOWN
 WITH COVER



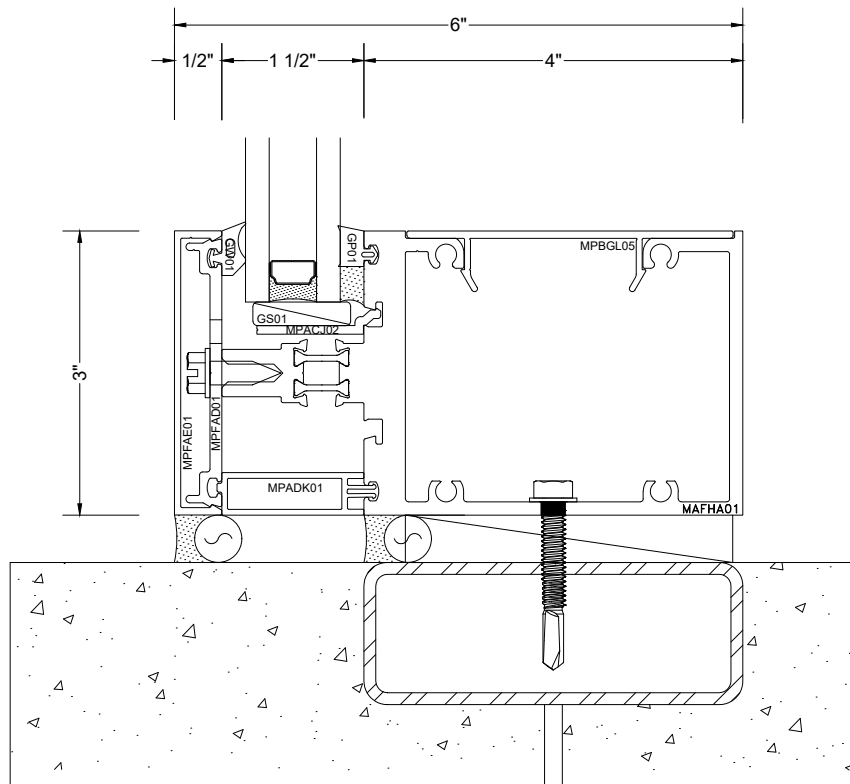
2A HEAD SSG
 OPEN BACK UP



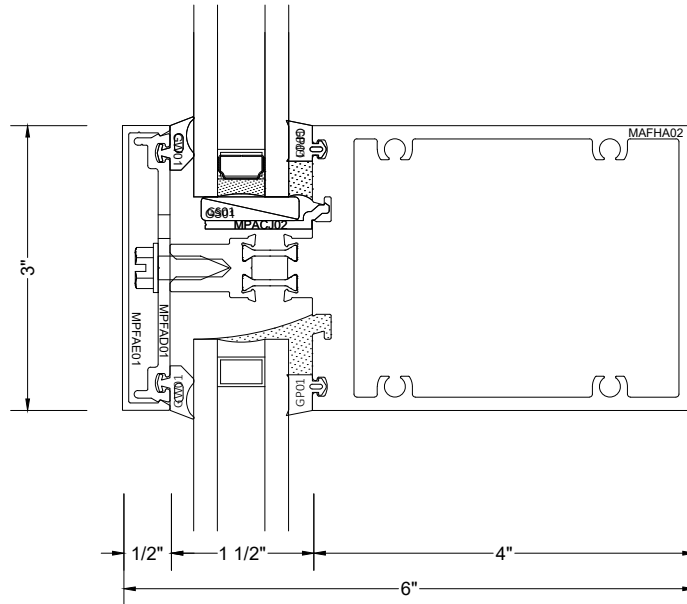
3A SILL CAPTURED
 OPEN BACK DOWN
 WITH CLIP



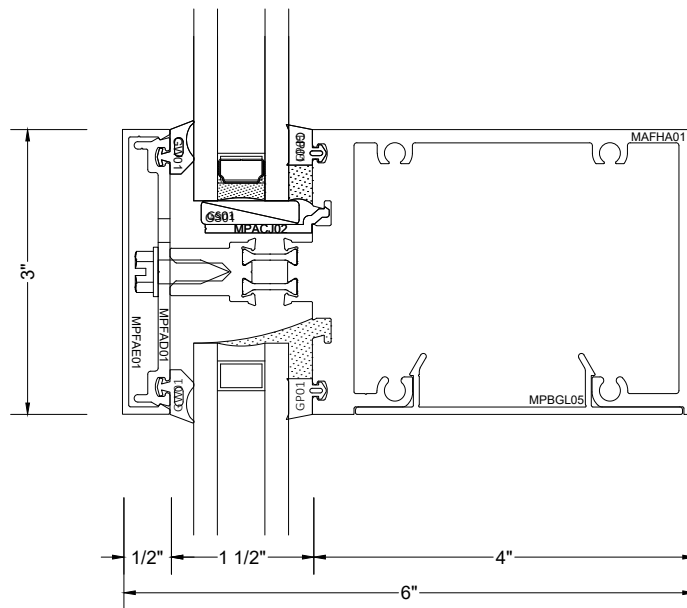
3B SILL CAPTURED
 OPEN BACK UP
 WITH COVER



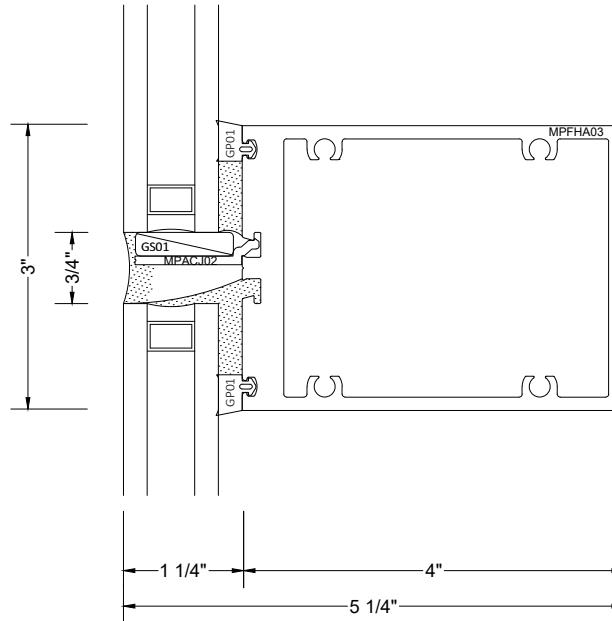
5 HORIZONTAL
 CAPTURED
 TUBE



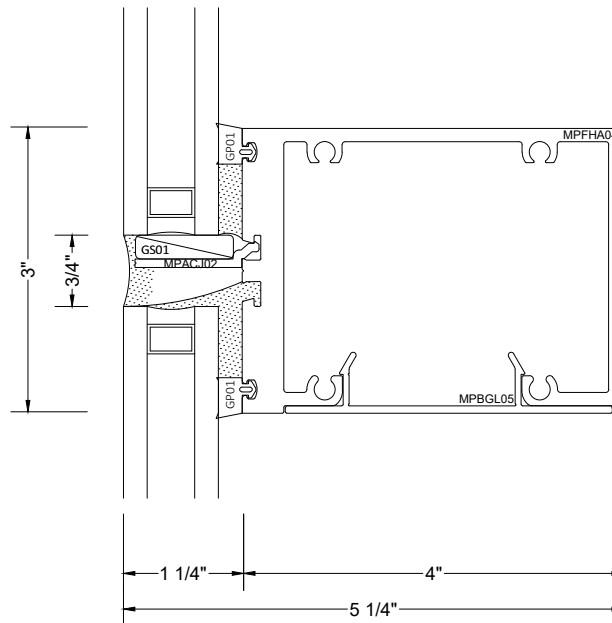
5A HORIZONTAL
 CAPTURED
 OPEN BACK DOWN
 WITH COVER

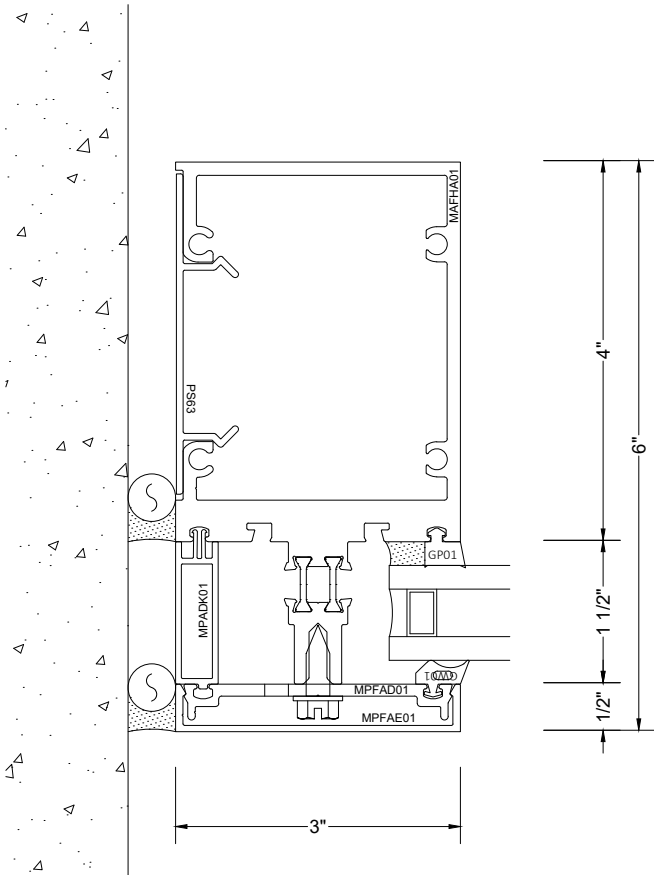


6 HORIZONTAL SSG
 TUBE

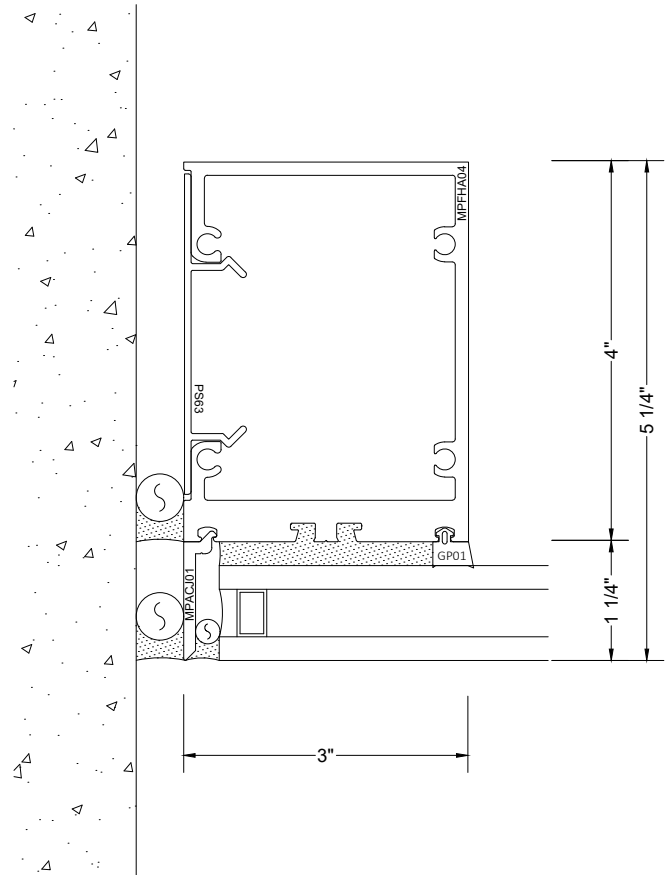


6A HORIZONTAL SSG
 OPEN BACK DOWN
 WITH COVER

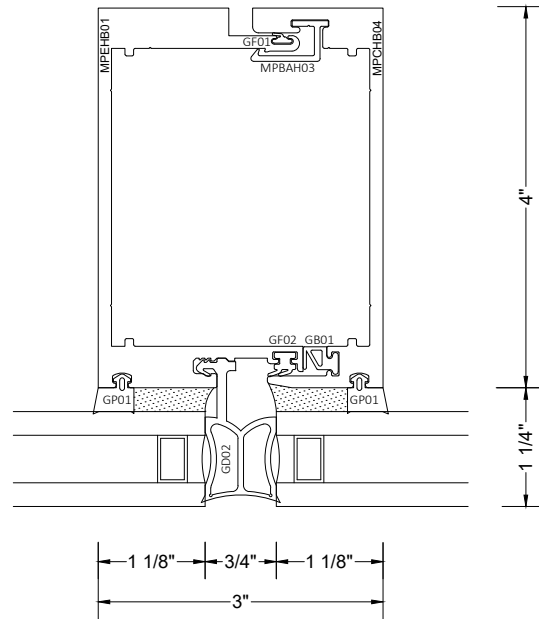
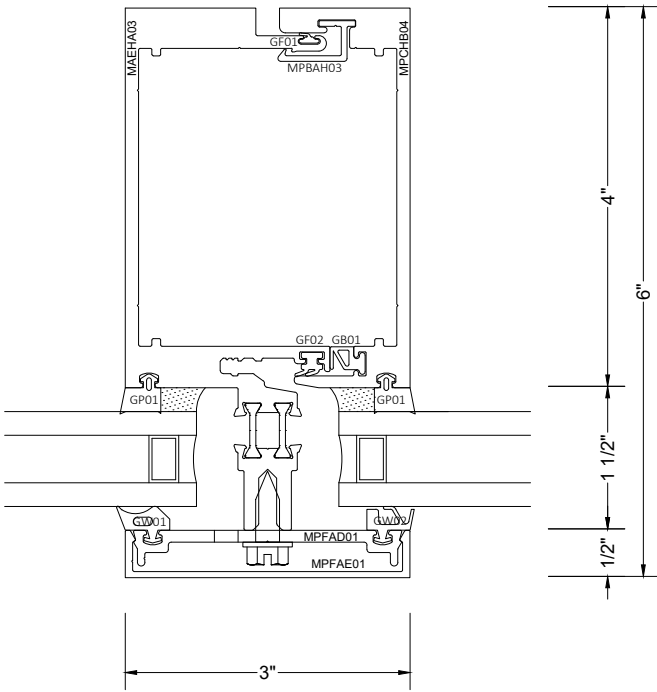




9 JAMB CAPTURED
 OPEN BACK WITH PVC FILLER

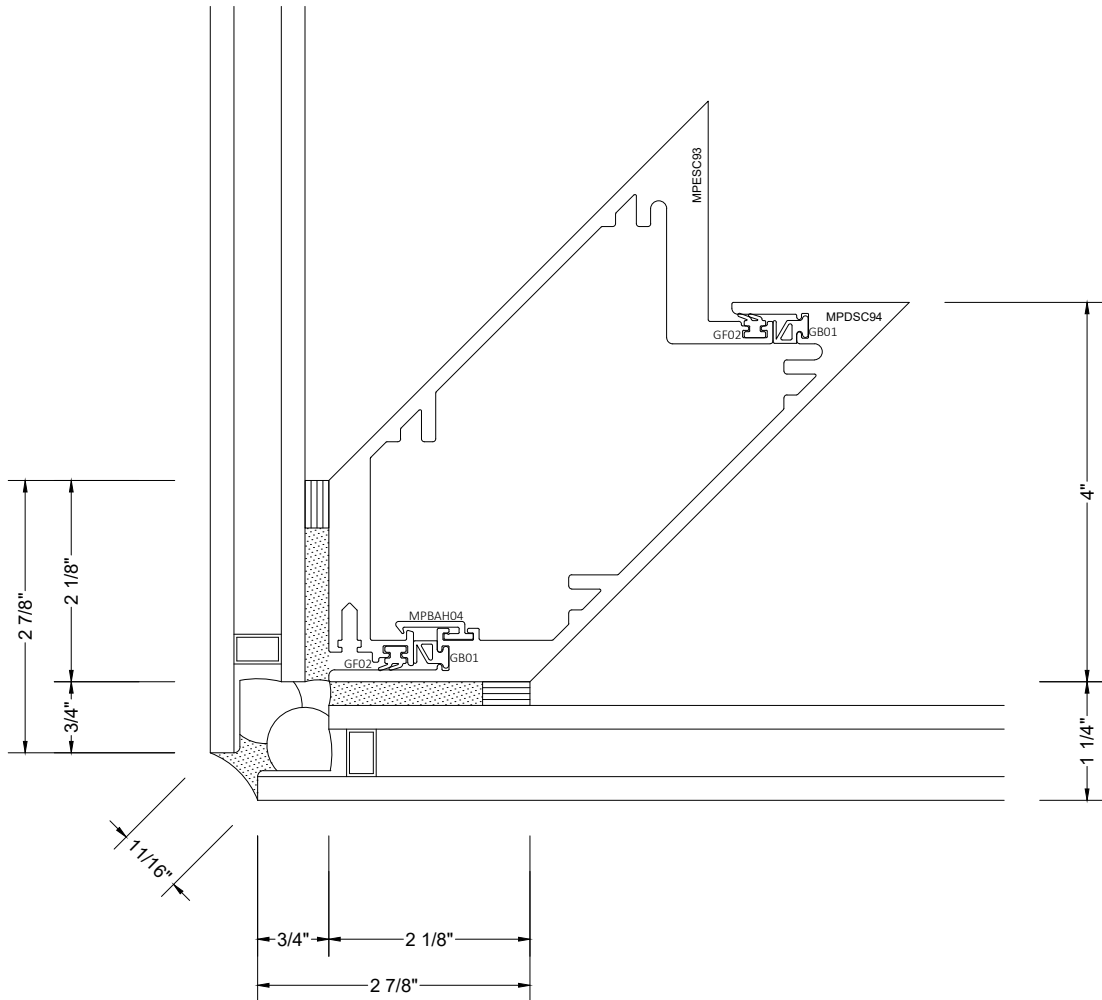


10 JAMB SSG
 OPEN BACK WITH PVC FILLER



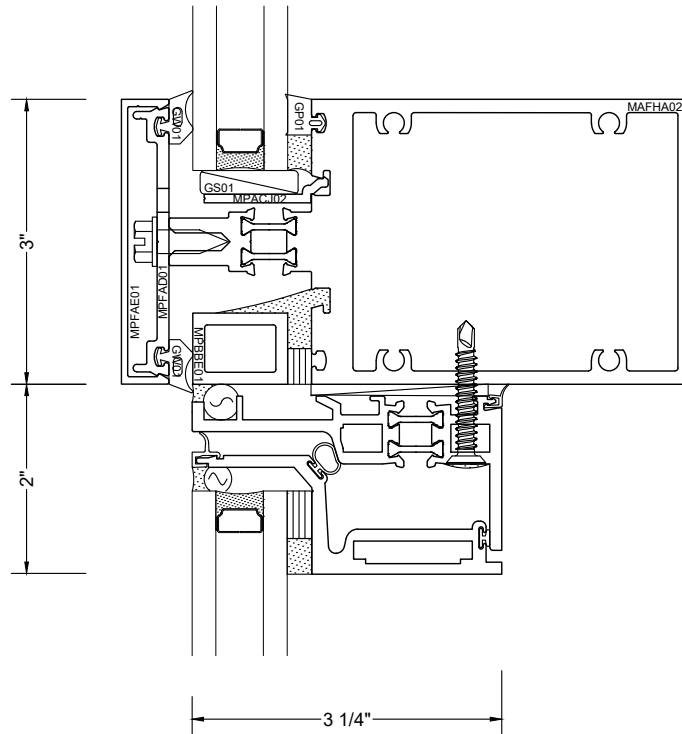
11 VERTICAL CAPTURED

12 VERTICAL SSG

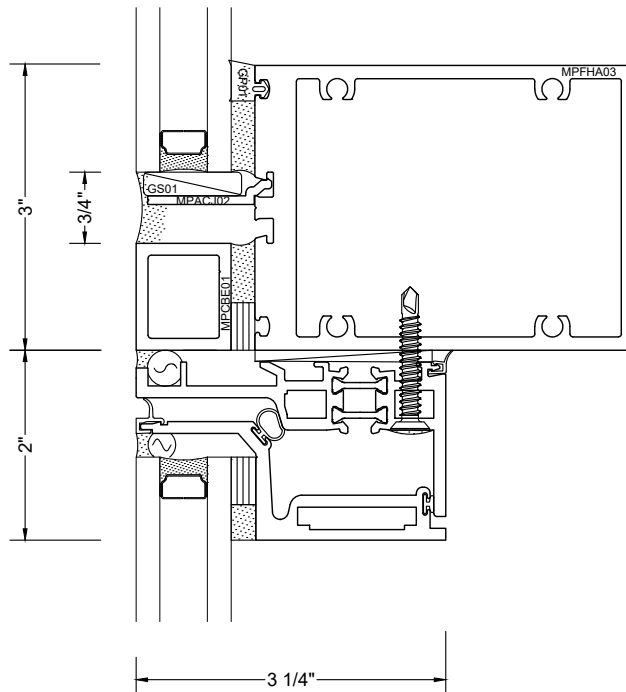


13 **90° OUTSIDE CORNER SSG**
 ALUMINUM NOSE
 *contact JRB for other angle options

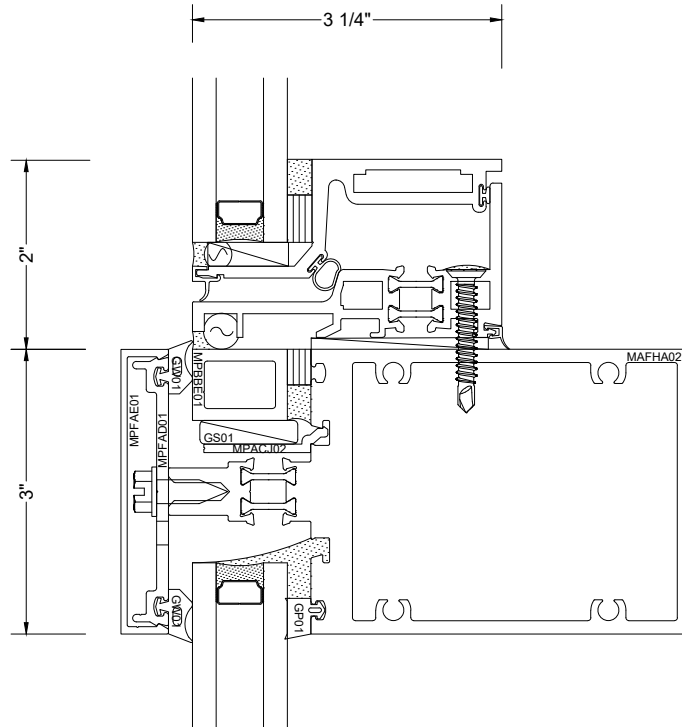
14 HEAD CAPTURED
 ZERO SITE LINE
 INSERT VENT



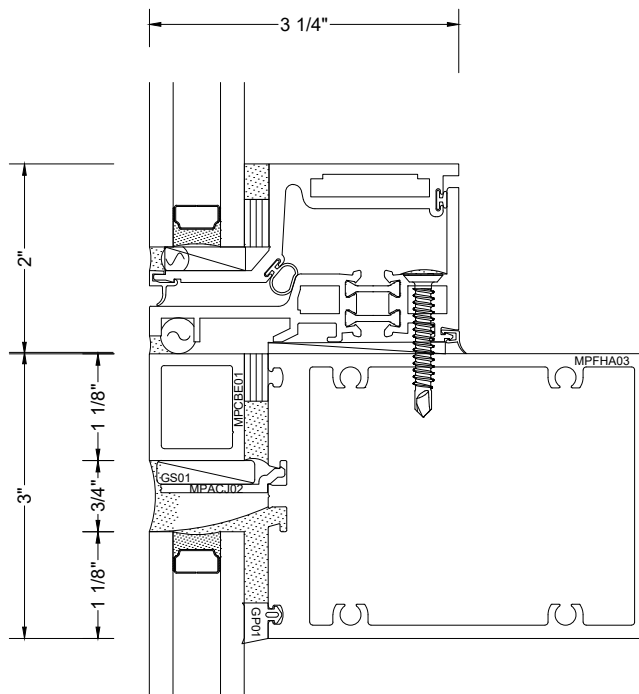
14A HEAD SSG
 ZERO SITE LINE
 INSERT VENT

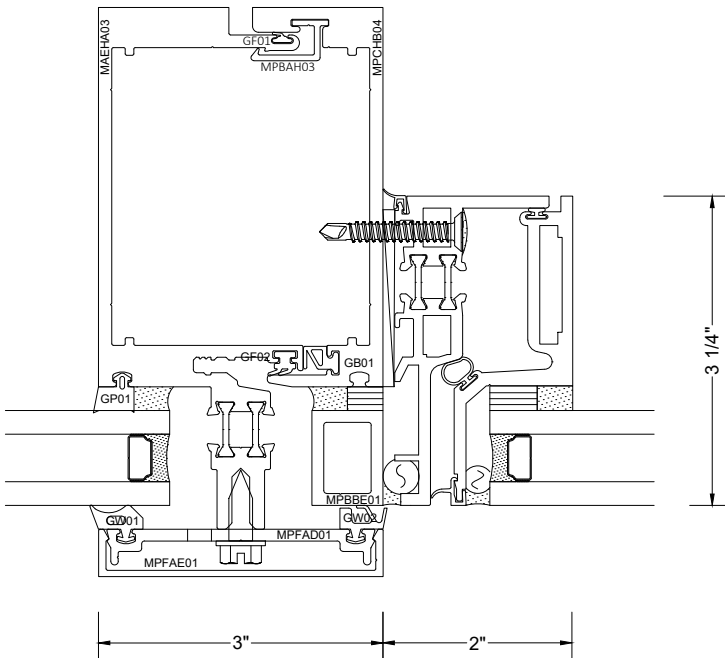


15 SILL CAPTURED
 ZERO SITE LINE
 INSERT VENT

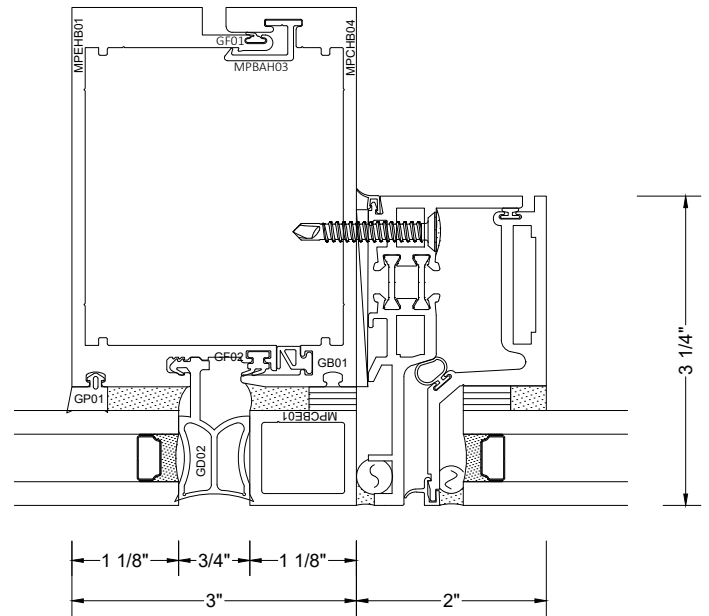


15A SILL SSG
 ZERO SITE LINE
 INSERT VENT





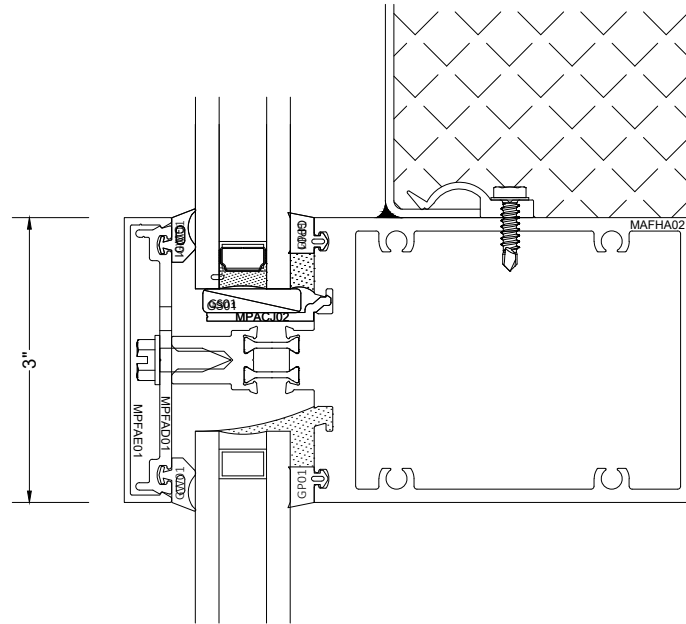
16 **JAMB CAPTURED**
 ZERO SITE LINE
 INSERT VENT



16A **JAMB SSG**
 ZERO SITE LINE
 INSERT VENT

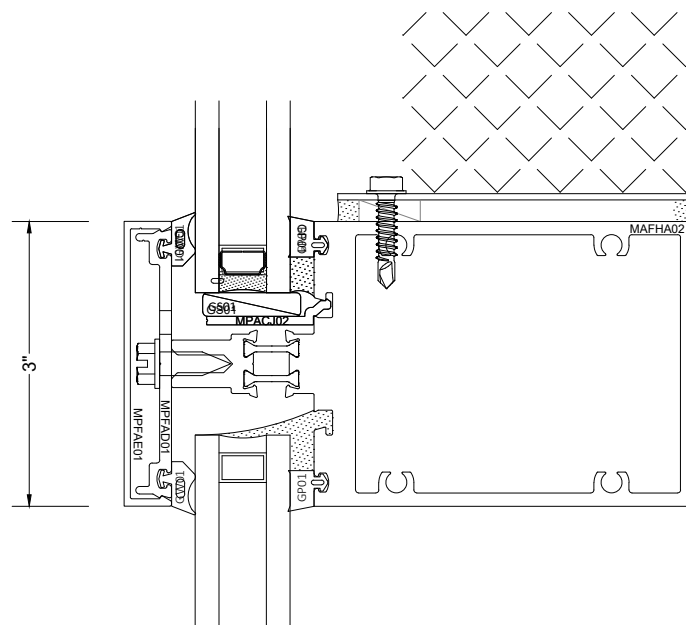
**SHADOW BOX
 AND INSULATION**

**CAPTURED
 HORIZONTAL**



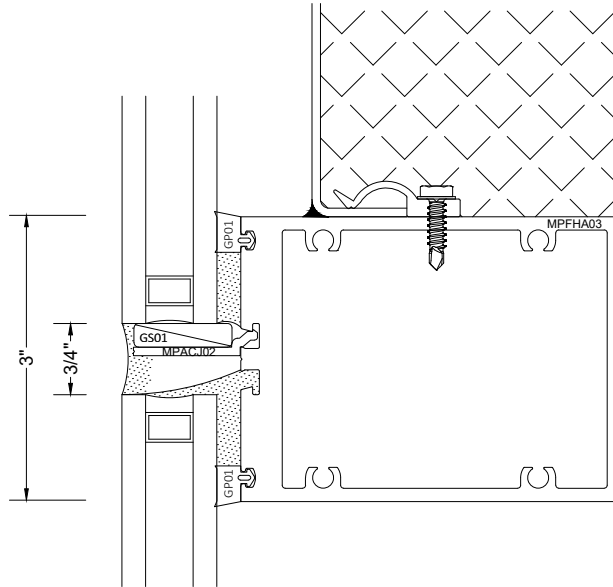
**BACKPAN
 AND INSULATION**

**CAPTURED
 HORIZONTAL**



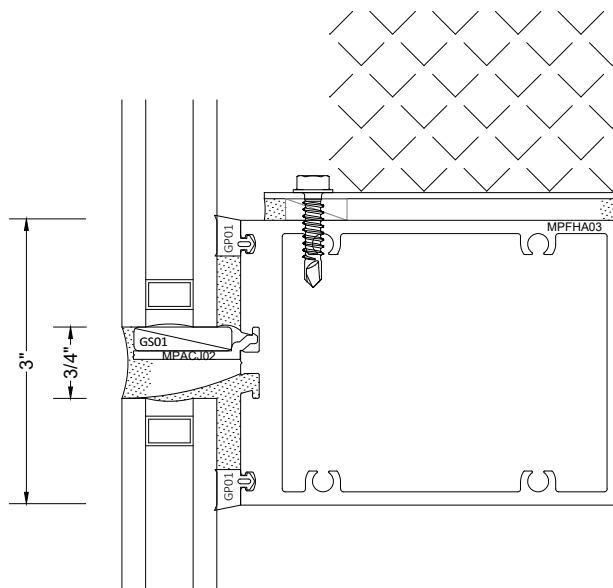
**SHADOW BOX
 AND INSULATION**

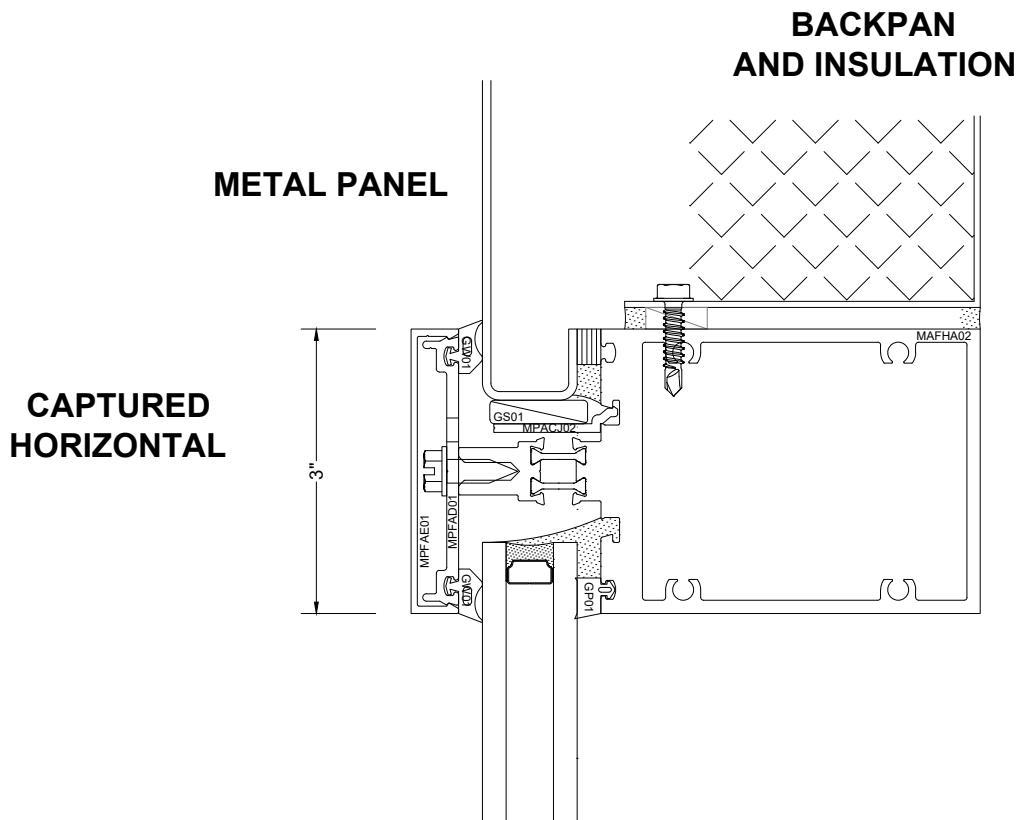
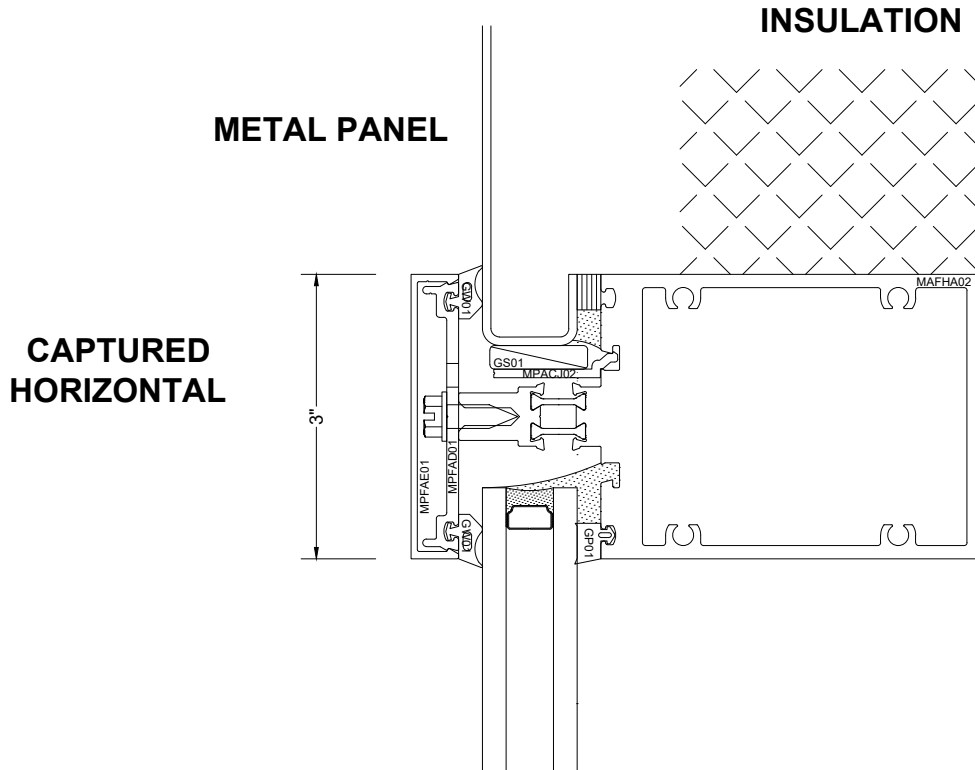
**SSG
 HORIZONTAL**

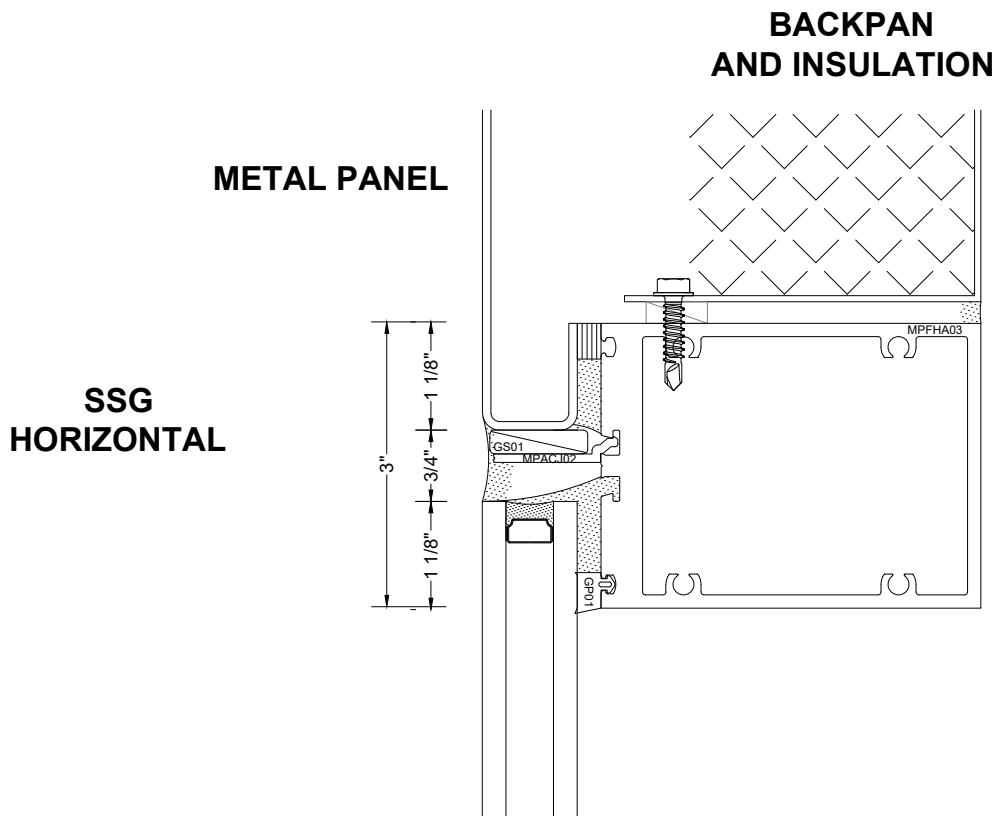
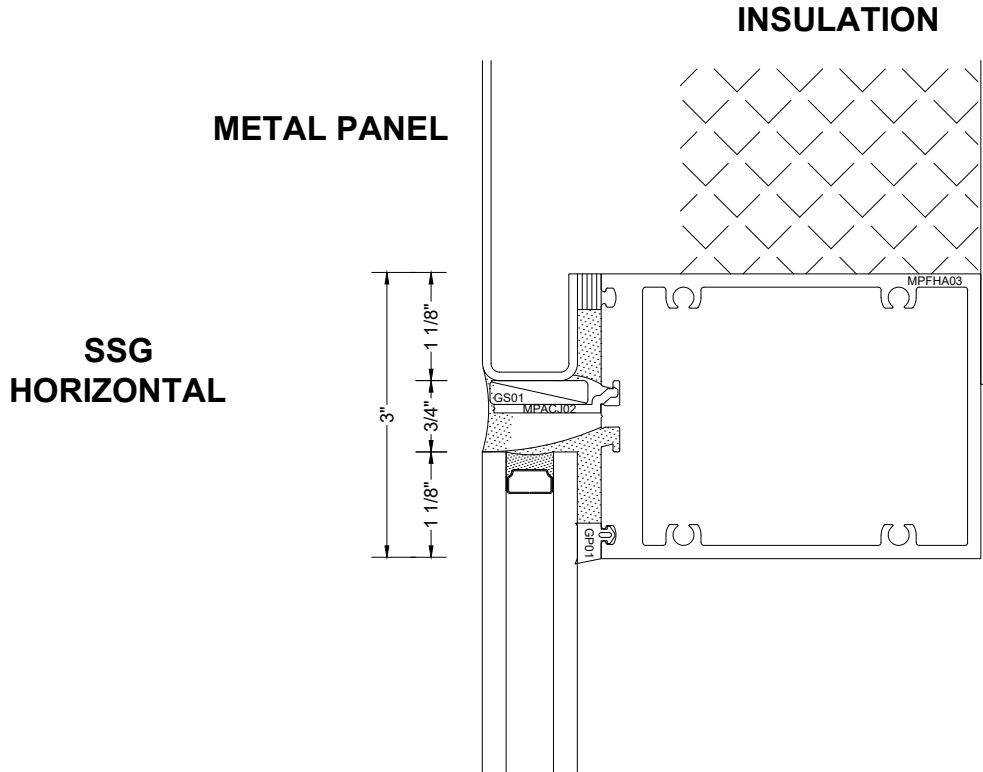


**BACKPAN
 AND INSULATION**

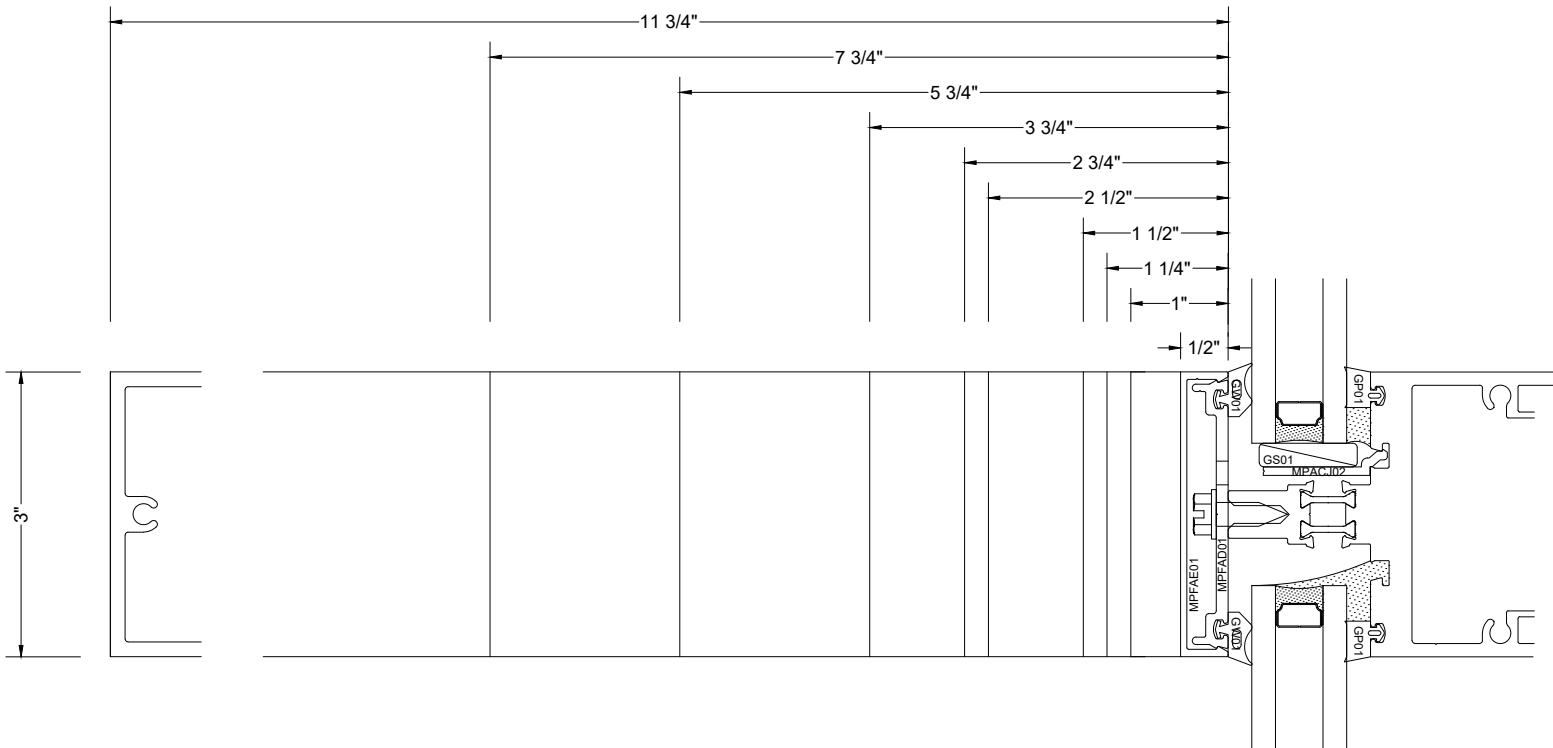
**SSG
 HORIZONTAL**



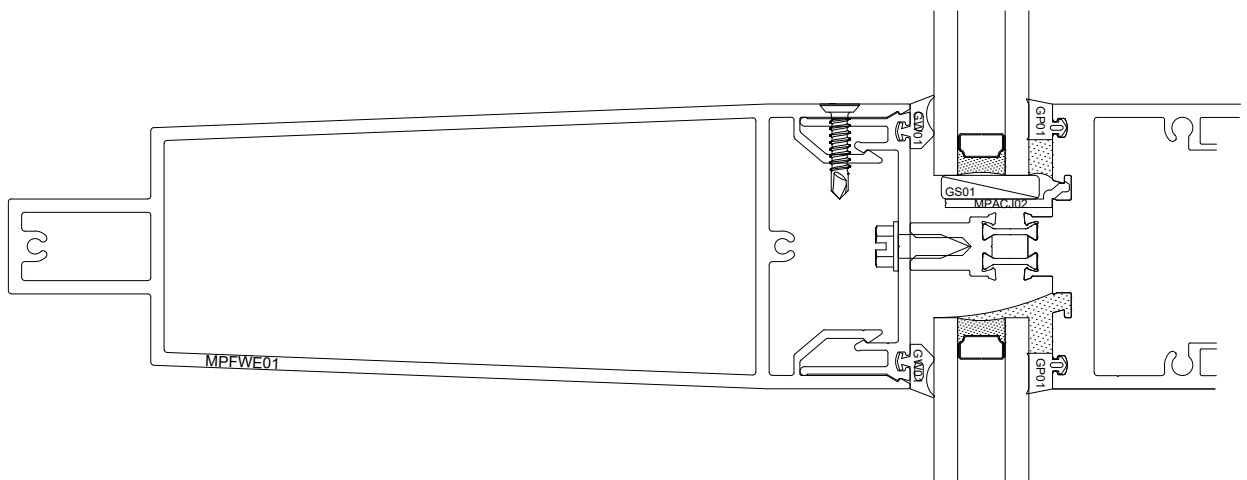




EXTENDED COVERS



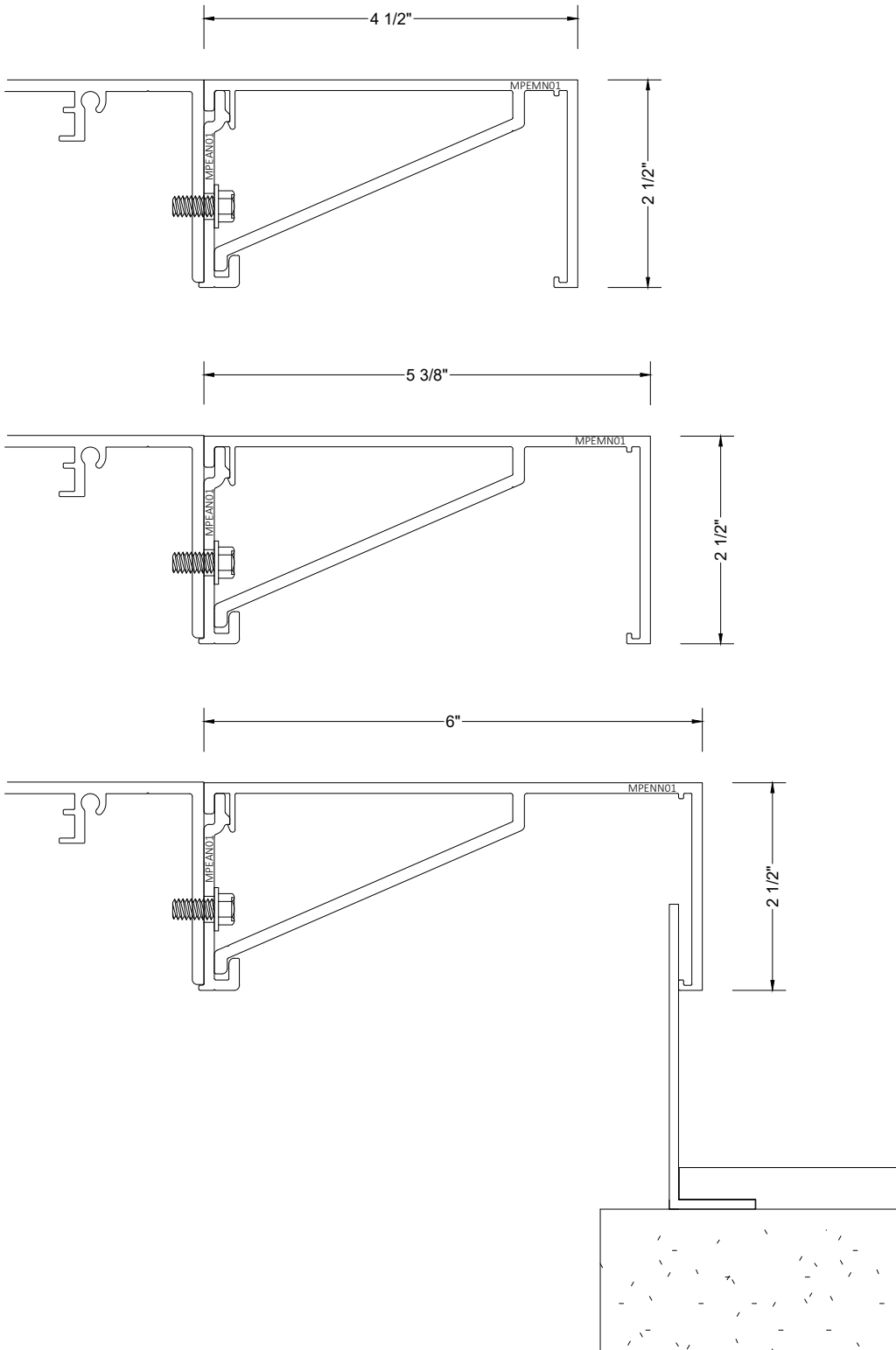
CUSTOM SHAPES



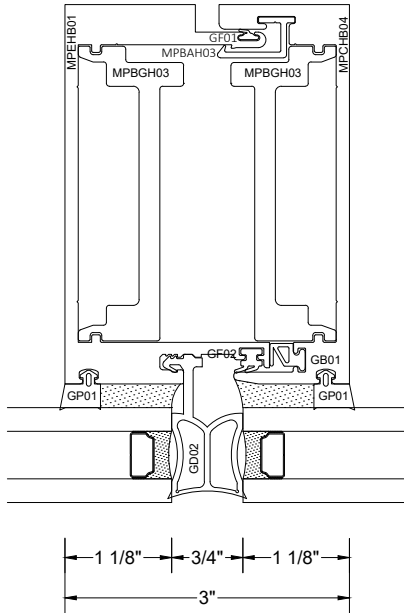
NOTE: Exterior covers extending more than 4" are secured to the pressure plate by fasteners or pins as determined by structural analysis.

Contact a JR Butler representative for custom shapes.

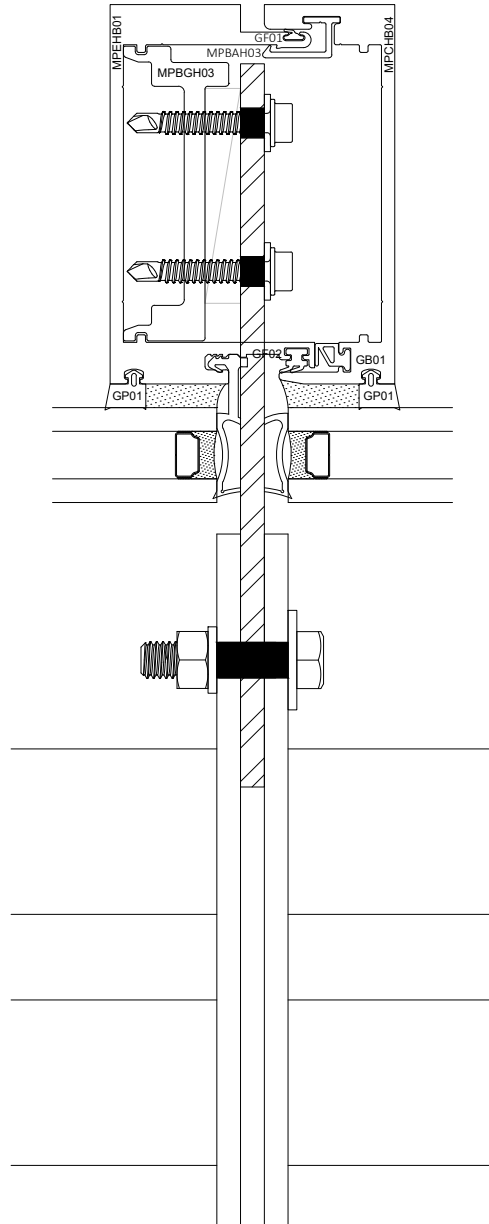
INTERIOR STOOL TRIM



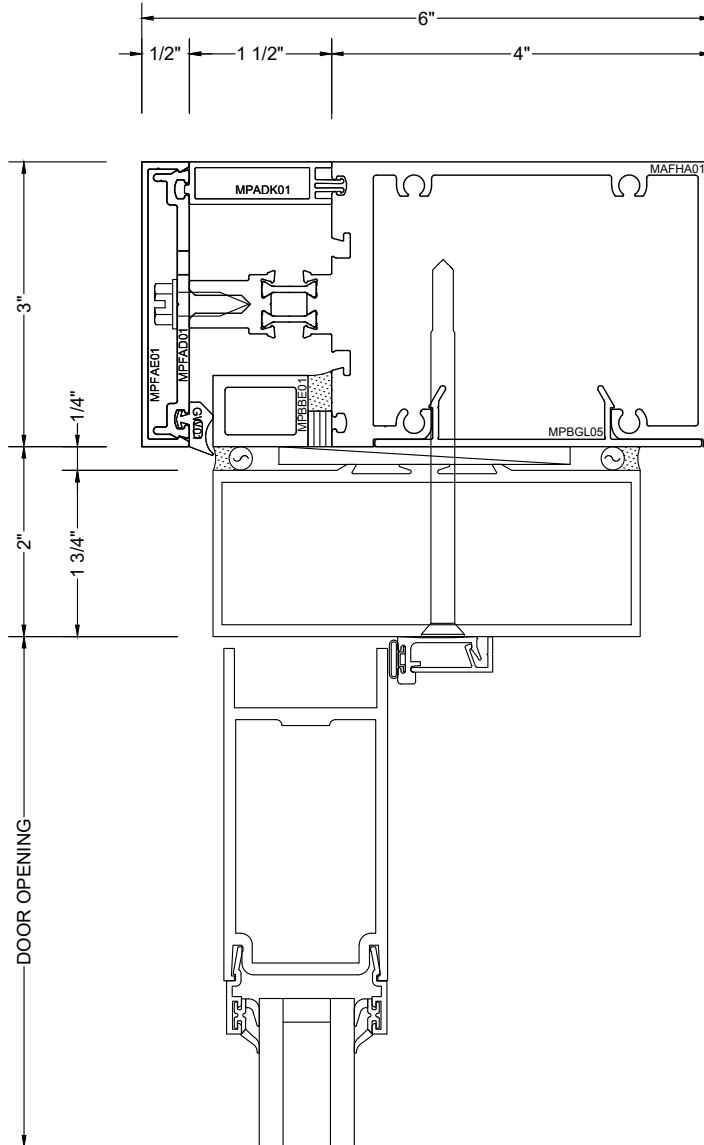
INTERNAL REINFORCEMENT



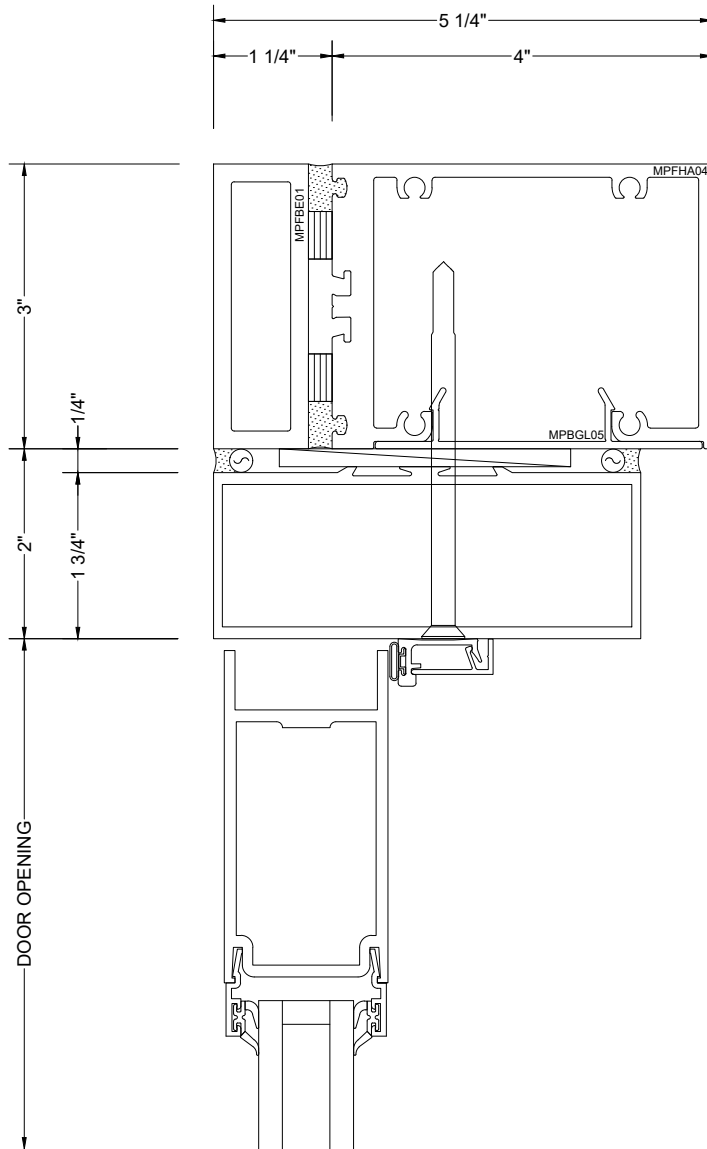
SUNSHADE ATTACHMENT



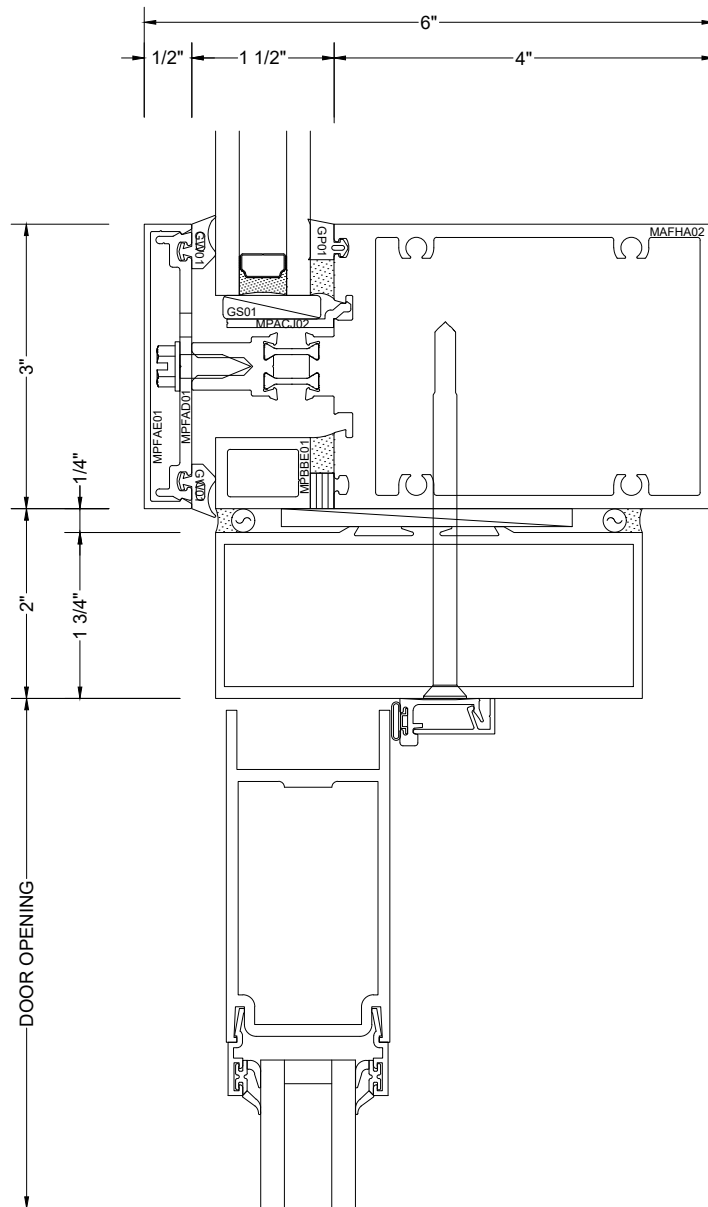
HEAD CAPTURED
 PROJECT OUT ENTRANCE



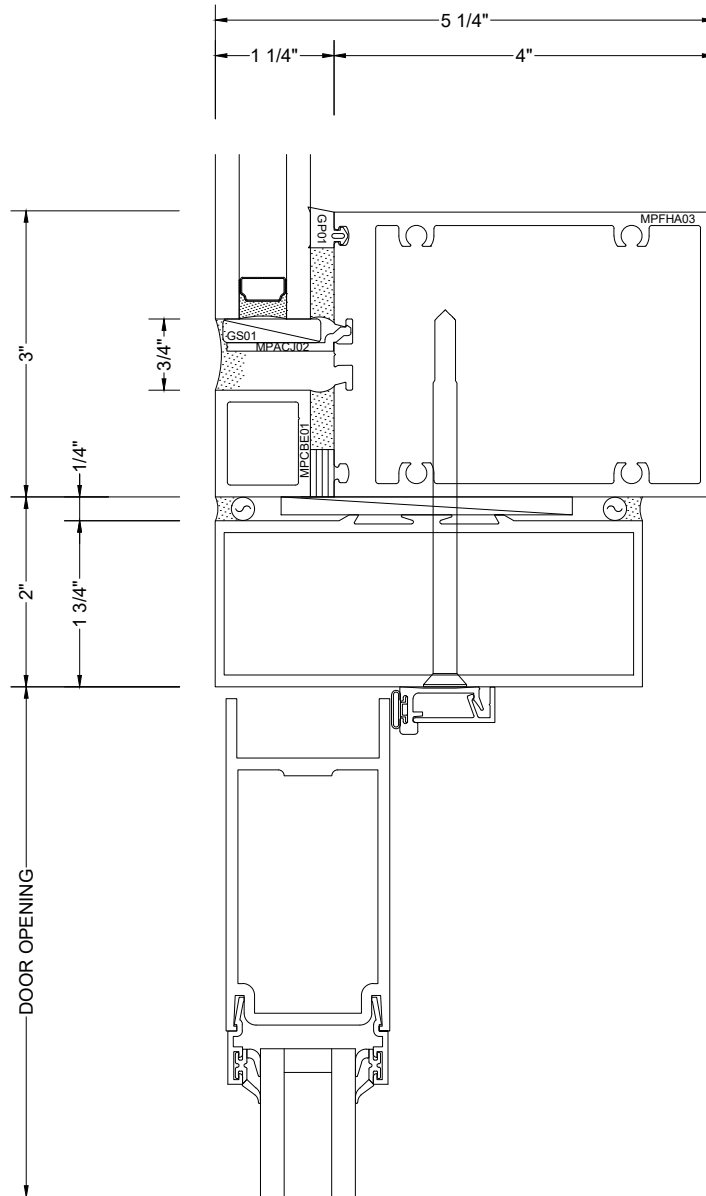
HEAD SSG
 PROJECT OUT ENTRANCE



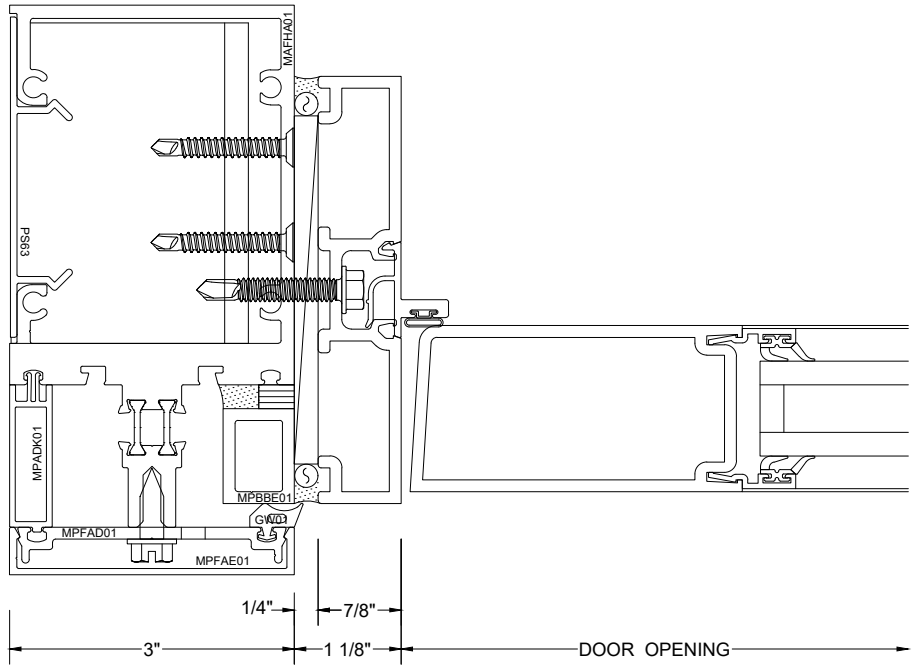
**HORIZONTAL CAPTURED
 PROJECT OUT ENTRANCE**



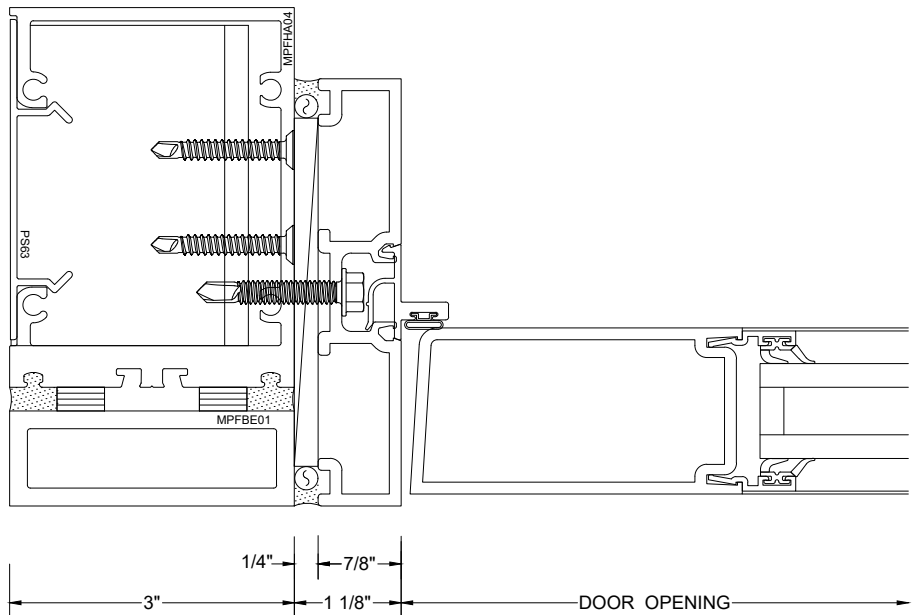
HORIZONTAL SSG
 PROJECT OUT ENTRANCE



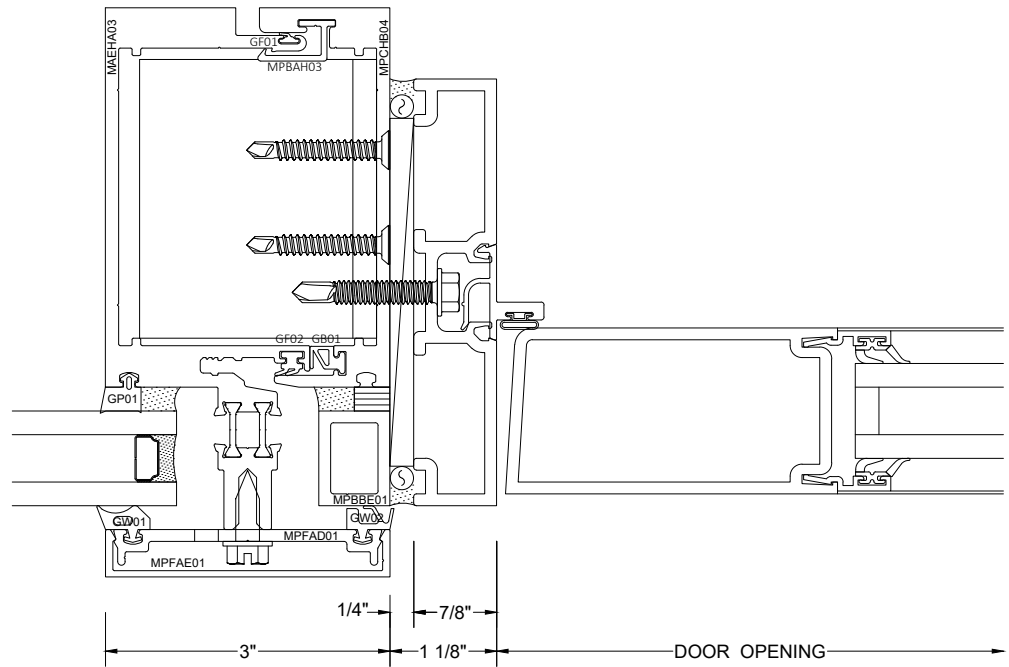
JAMB CAPTURED
 PROJECT OUT ENTRANCE



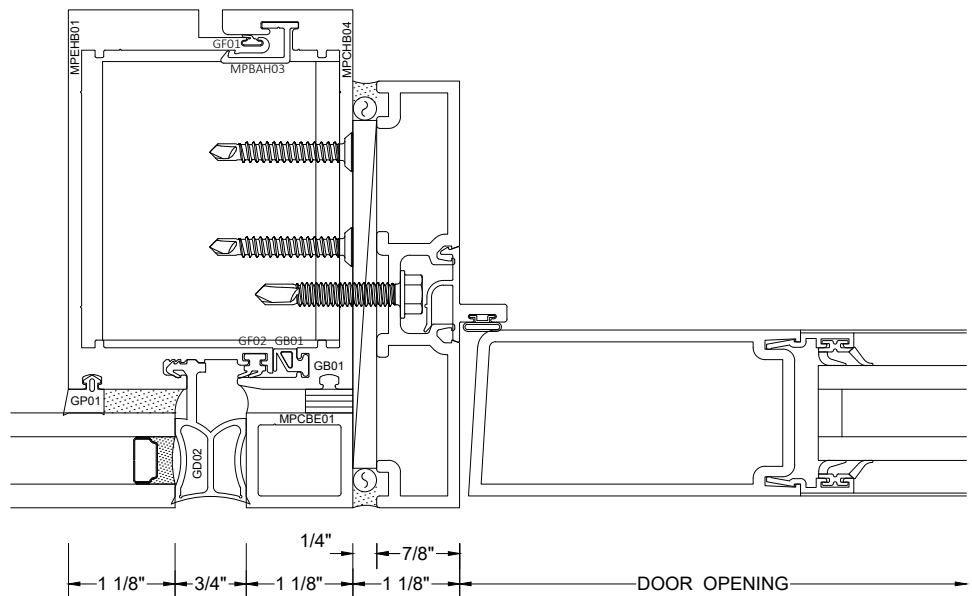
JAMB SSG
 PROJECT OUT ENTRANCE



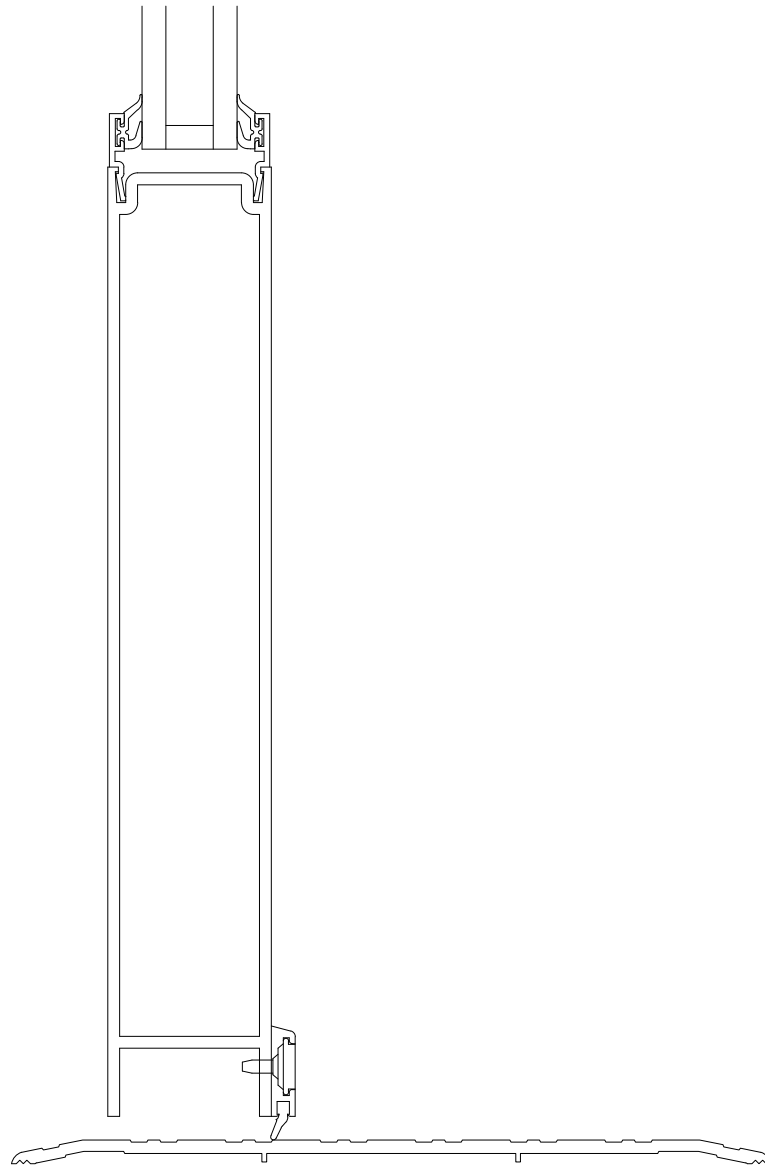
VERTICAL CAPTURED
 PROJECT OUT ENTRANCE



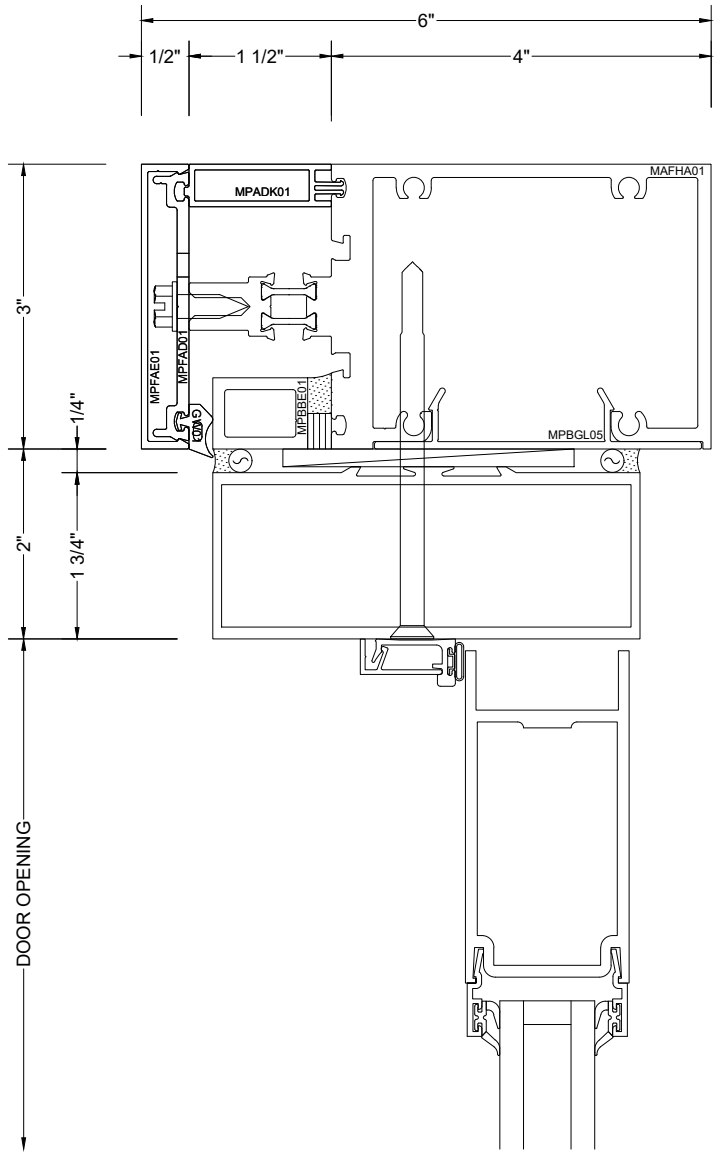
VERTICAL SSG
 PROJECT OUT ENTRANCE



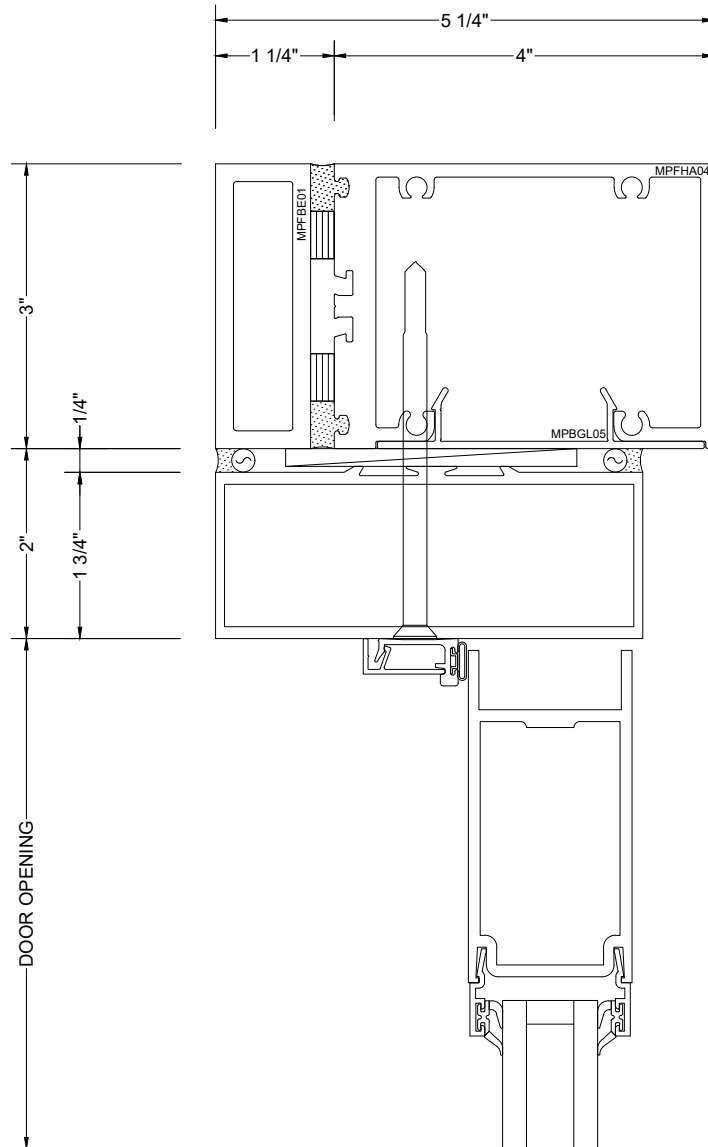
SILL
PROJECT OUT ENTRANCE



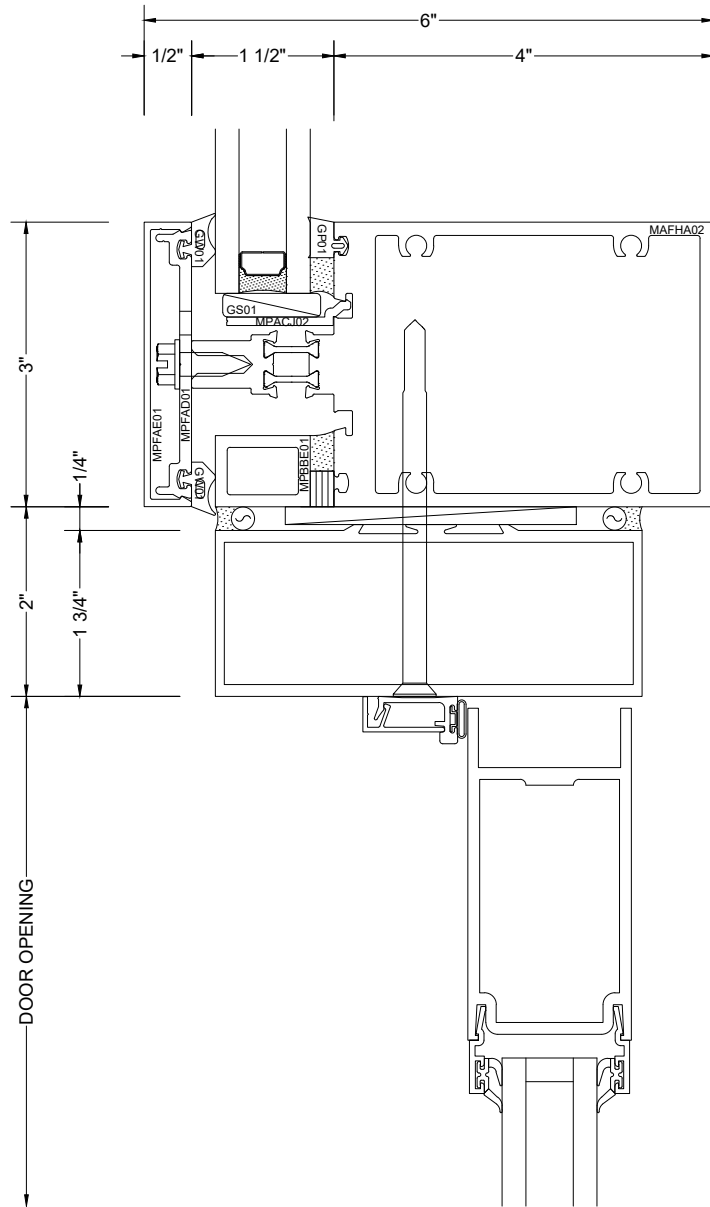
HEAD CAPTURED
 PROJECT IN ENTRANCE



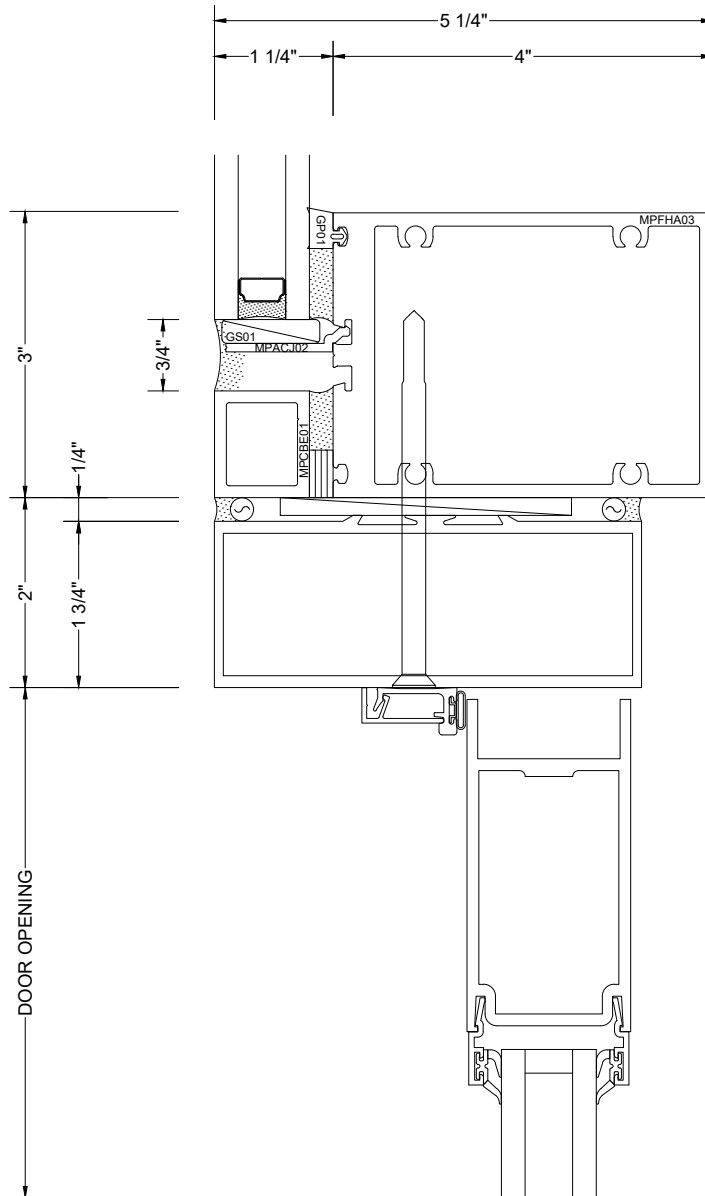
HEAD SSG
 PROJECT IN ENTRANCE



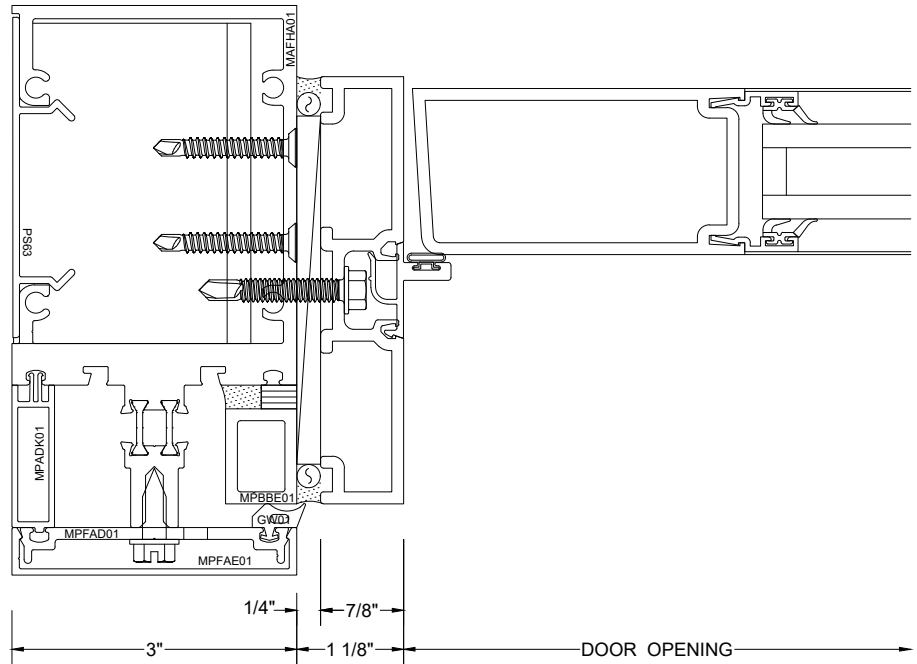
**HORIZONTAL CAPTURED
 PROJECT IN ENTRANCE**



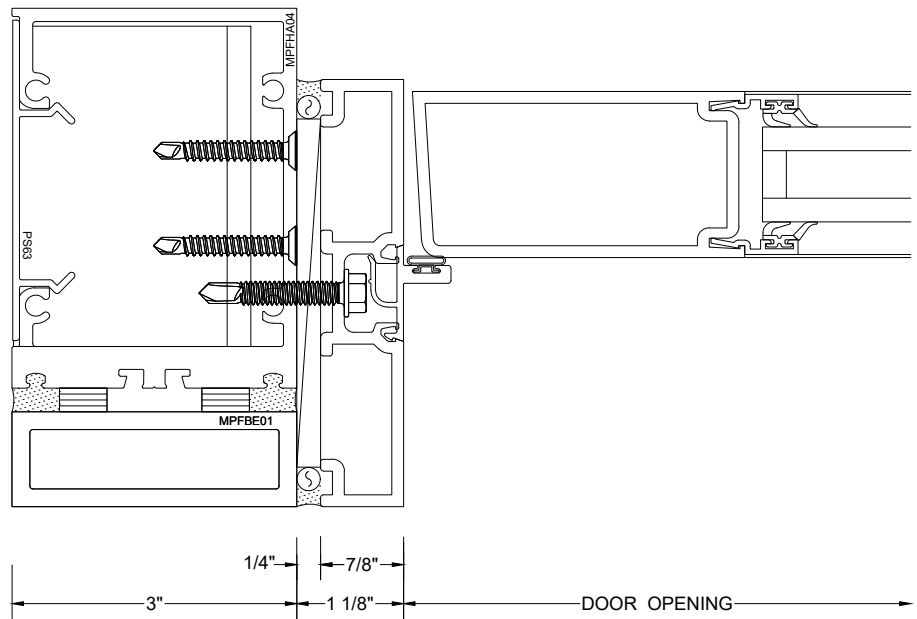
HORIZONTAL SSG
 PROJECT IN ENTRANCE



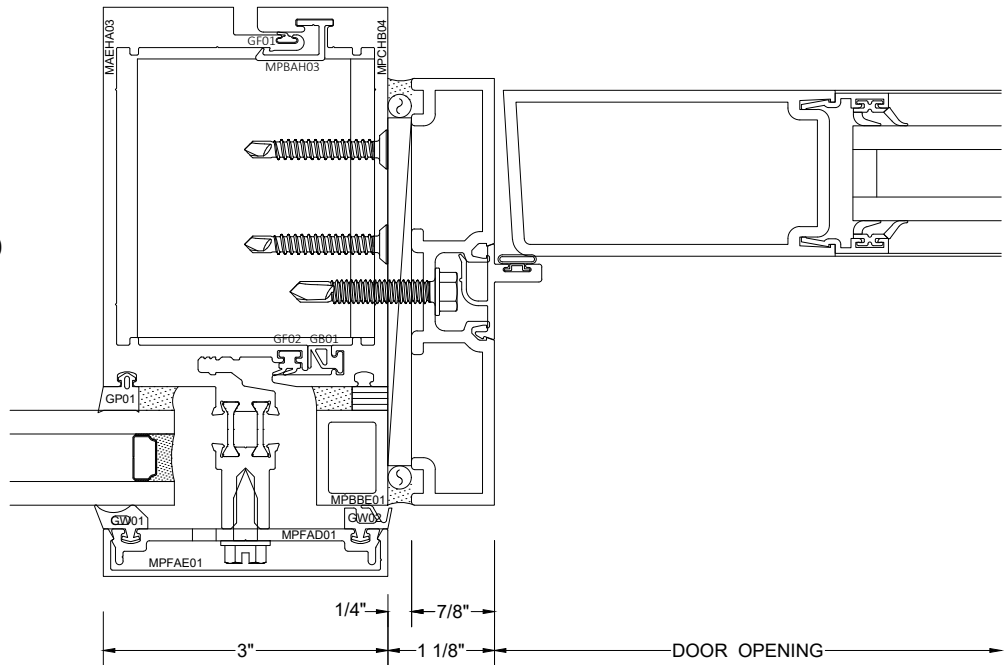
JAMB CAPTURED
 PROJECT IN ENTRANCE



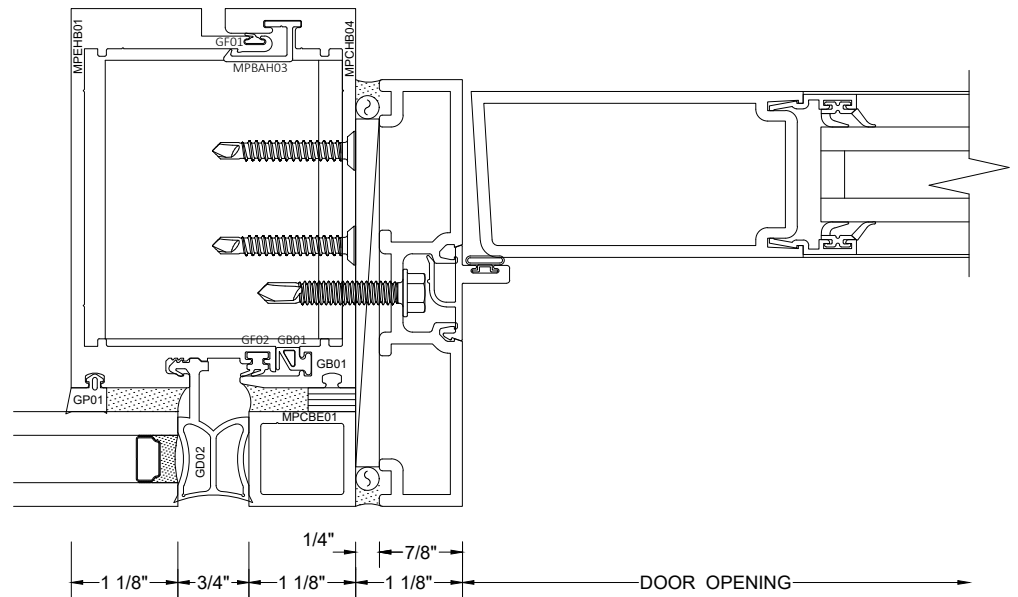
JAMB SSG
 PROJECT IN ENTRANCE



**VERTICAL CAPTURED
 PROJECT IN ENTRANCE**



**VERTICAL SSG
 PROJECT IN ENTRANCE**



SILL
PROJECT IN ENTRANCE

