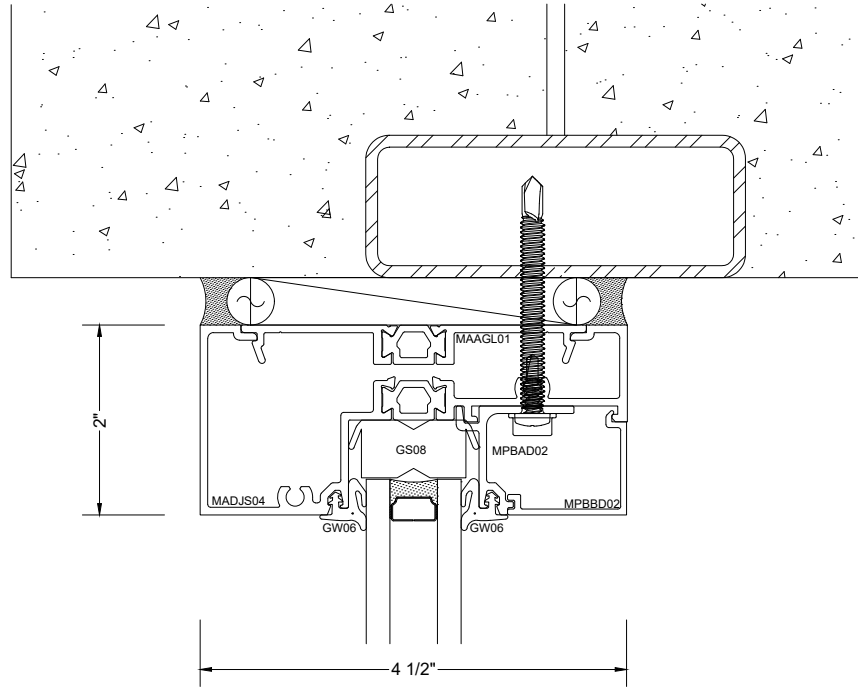


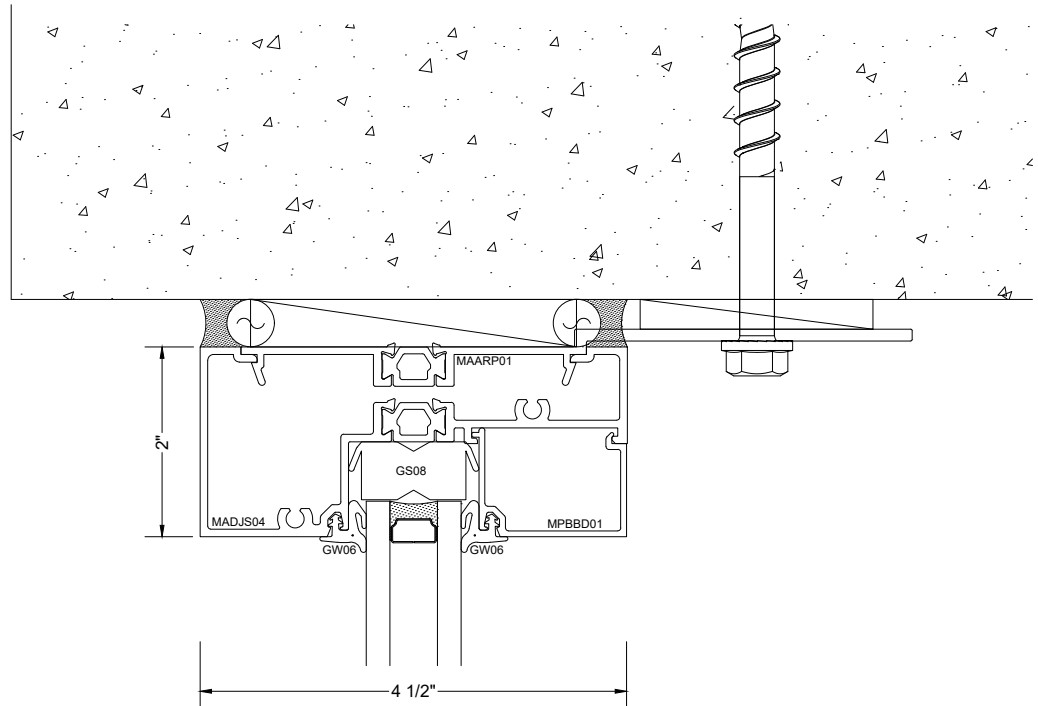
SECTION CONTENTS

<u>DETAIL</u>	<u>PAGES</u>
Heads _____	3-4
Sill _____	4
Horizontal _____	5
Jambs _____	5
Vertical Stacks _____	6
Corners _____	7-8
Entrance Doors _____	9

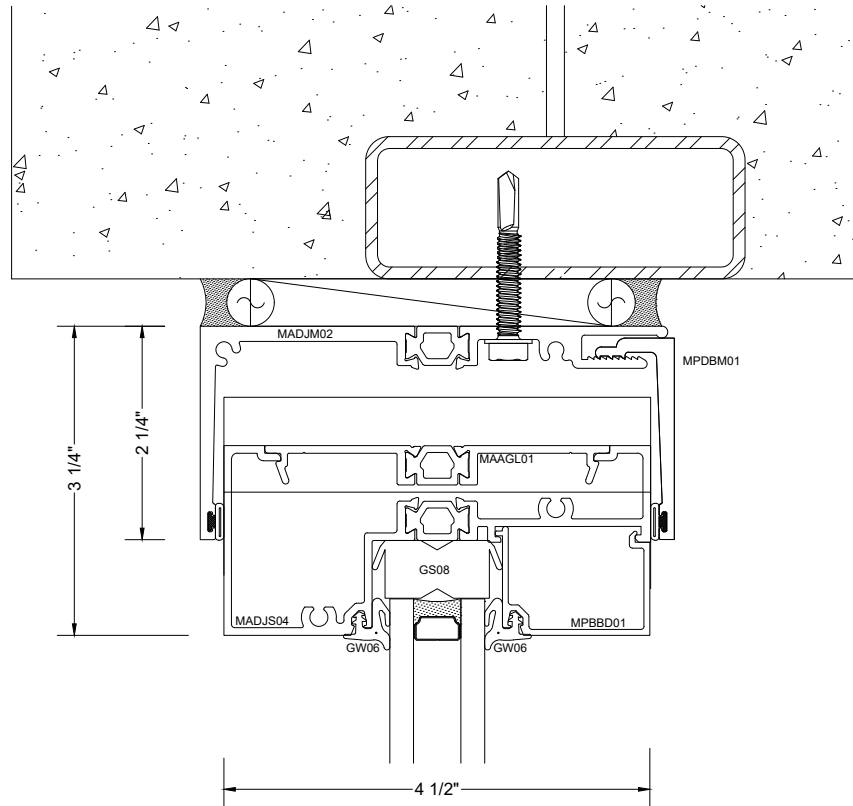
1 HEAD
 THROUGH FRAME



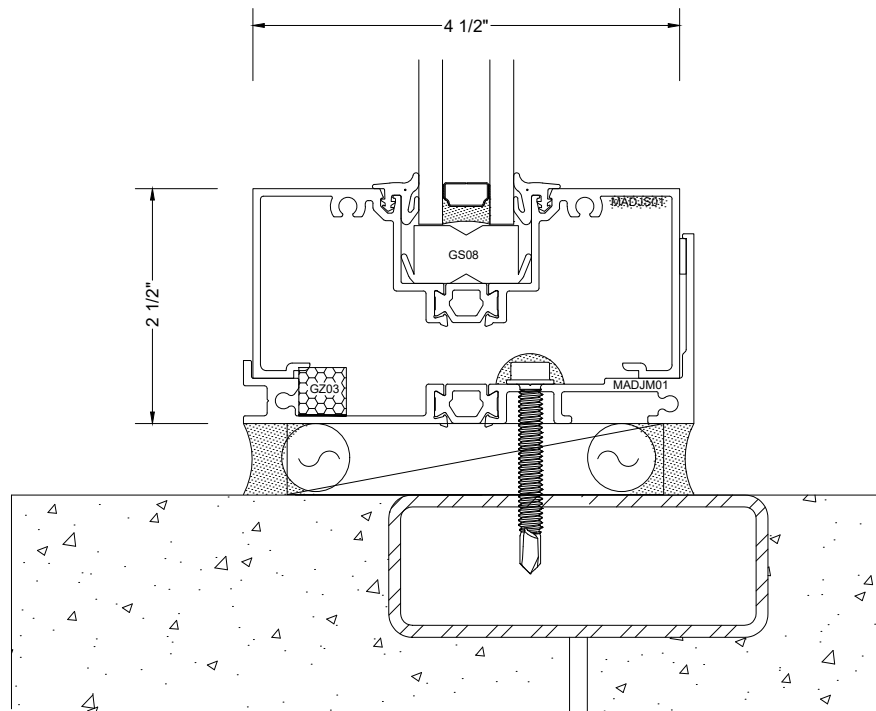
1A SILL
 STRAP ANCHOR



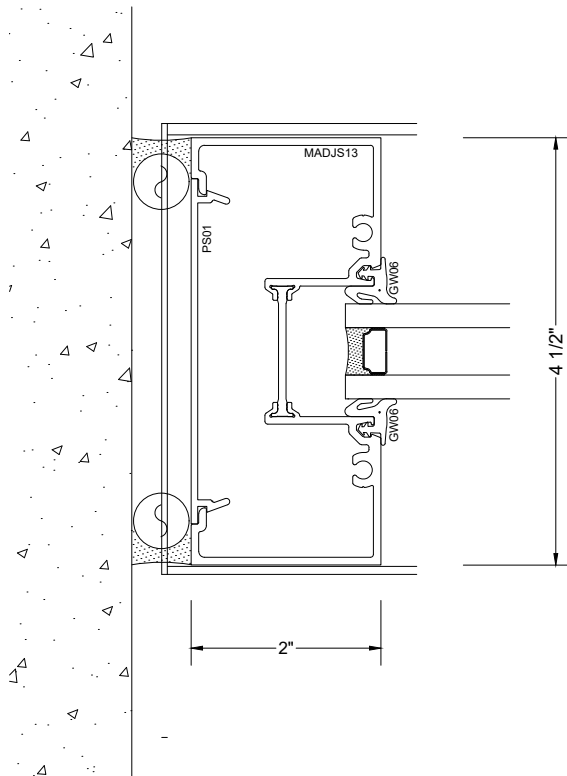
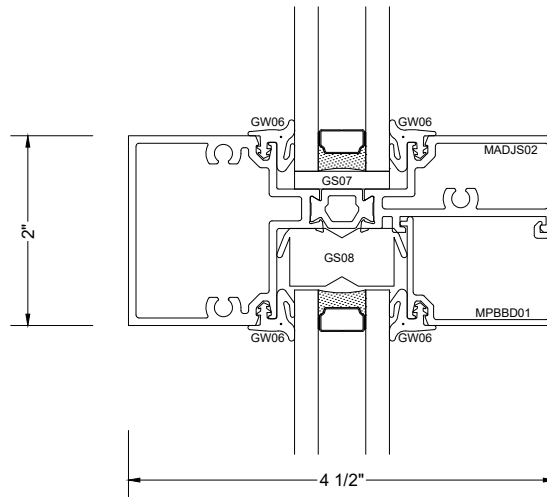
1B HEAD STARTER



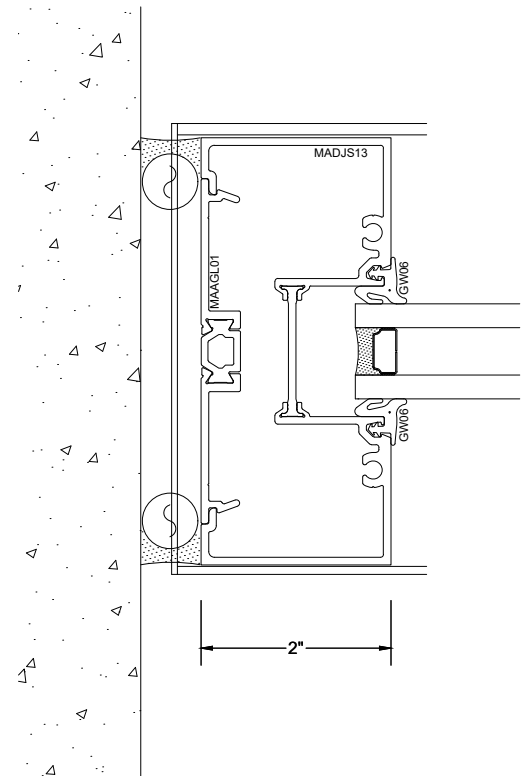
2 SILL STARTER



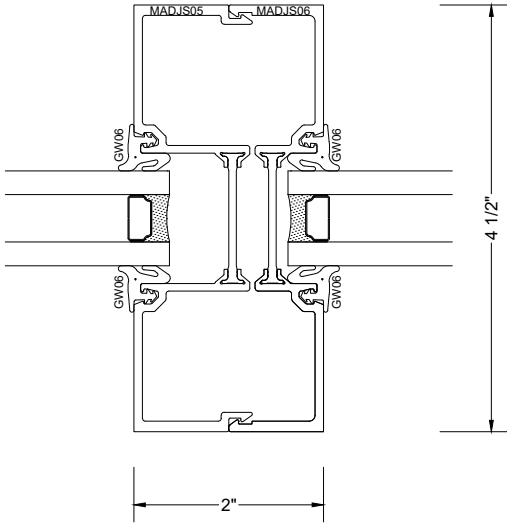
3 HORIZONTAL



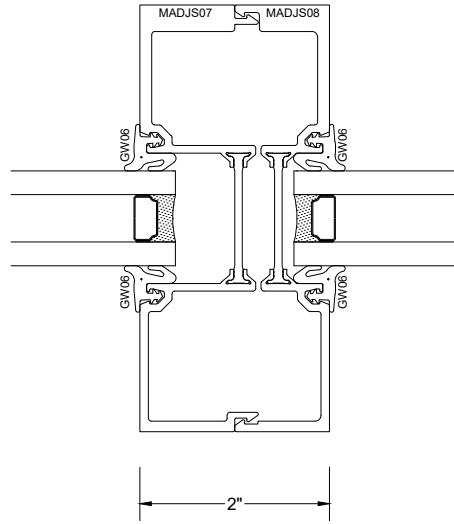
**4 JAMB
 PVC FILLER**



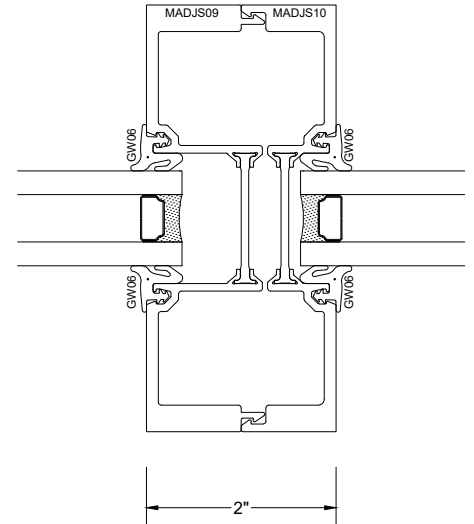
**4A JAMB
 ALUMINUM FILLER**



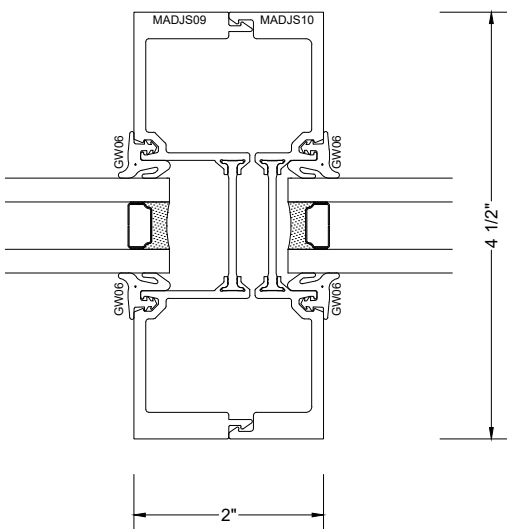
5 VERTICAL STANDARD



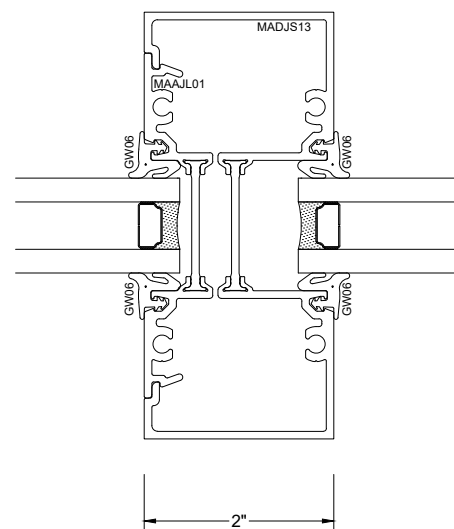
5A VERTICAL MEDIUM DUTY



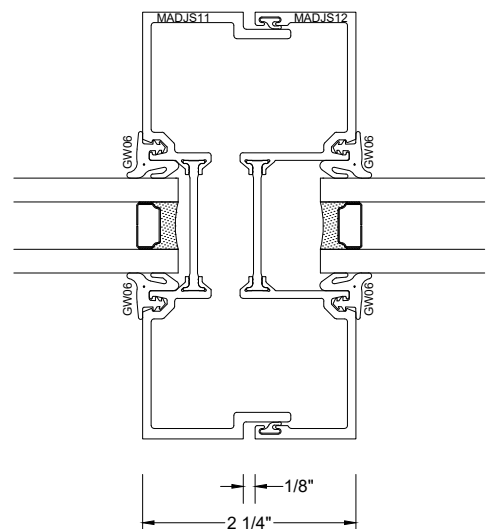
5B VERTICAL HEAVY DUTY



5C VERTICAL HEAVY DUTY

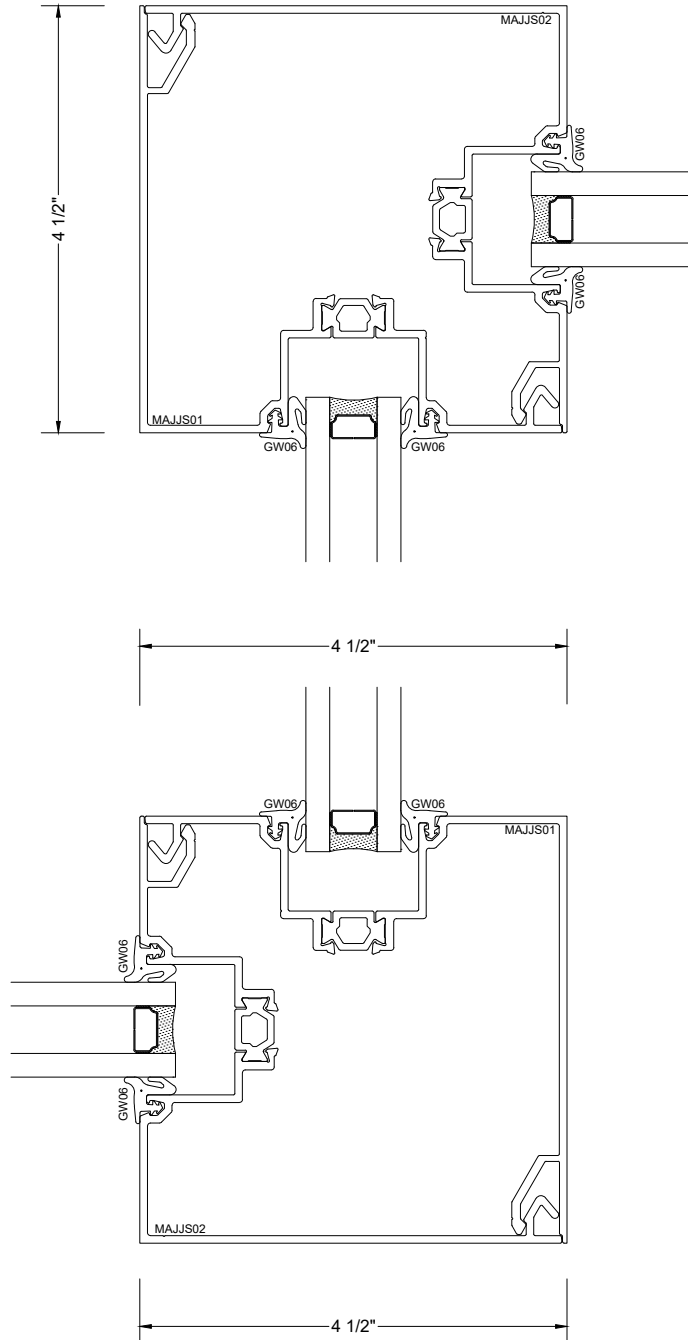


5D VERTICAL USED WHEN HORIZ. RUNS THRU



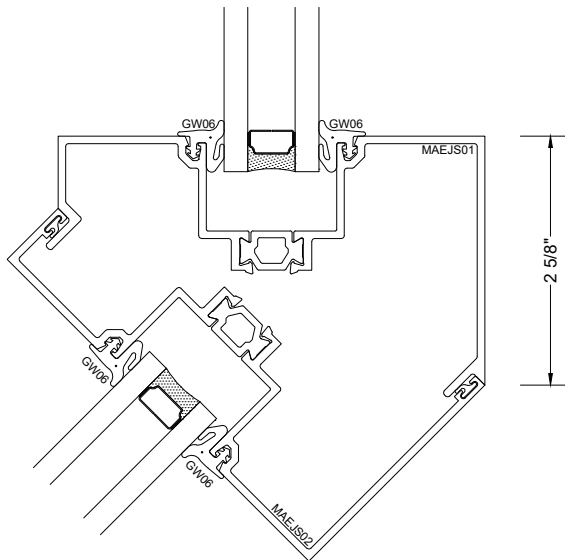
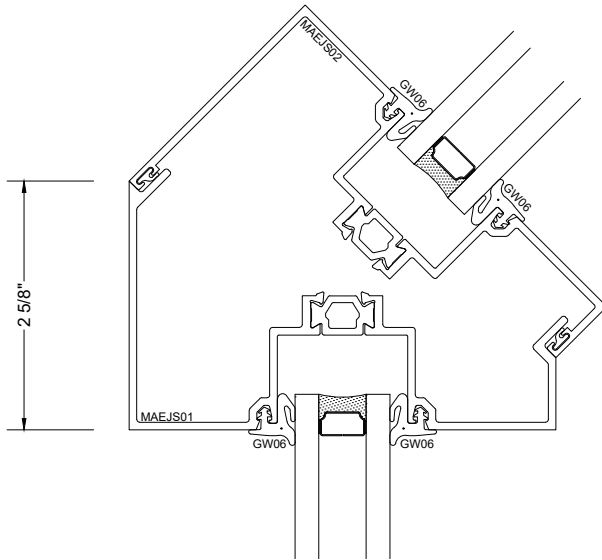
6 EXPANSION VERTICAL

7 **CORNER**
 90 DEG. INSIDE

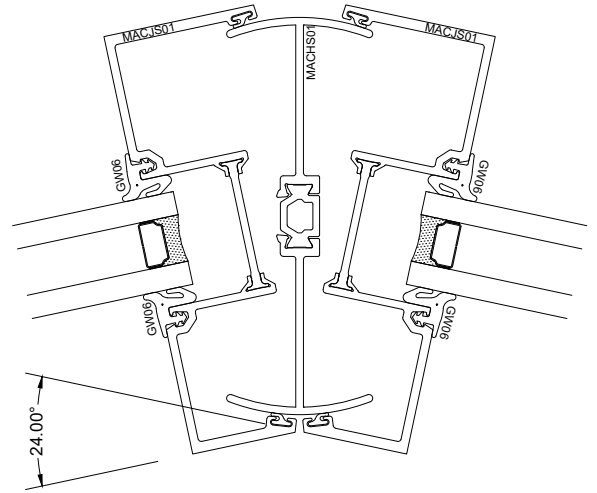


8 **CORNER**
 90° OUTSIDE

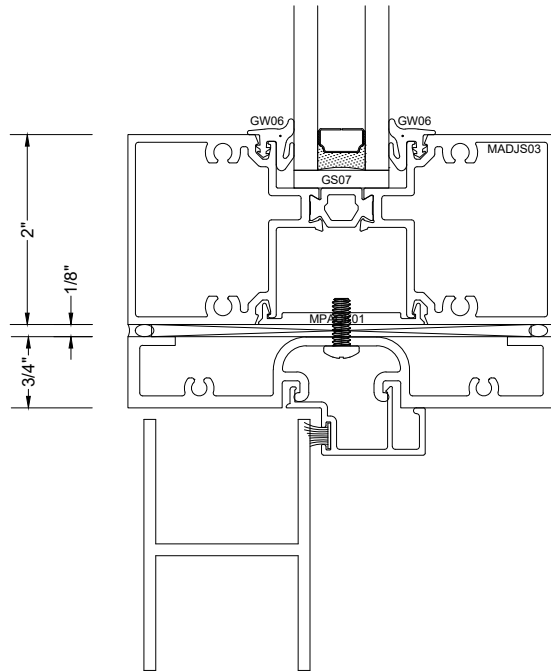
7A CORNER
 135° INSIDE



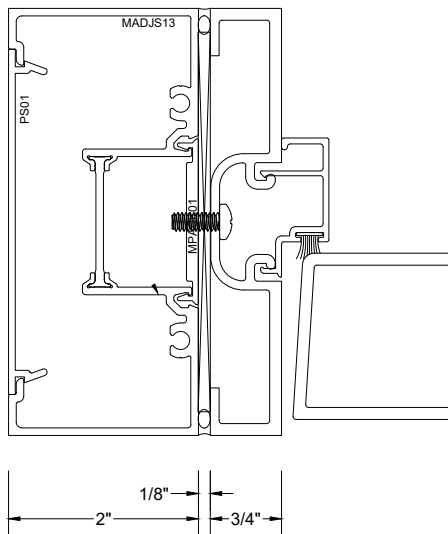
8A CORNER
 135° OUTSIDE



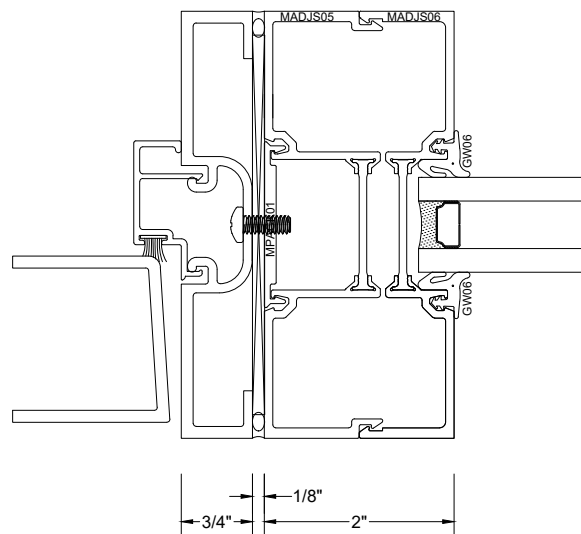
9 ADJUSTABLE
 VERTICAL



**10 HORIZONTAL
 DOOR TRANSOM**



**11 JAMB
 @ ENTRANCE DOOR**



**12 VERTICAL
 @ ENTRANCE DOOR**