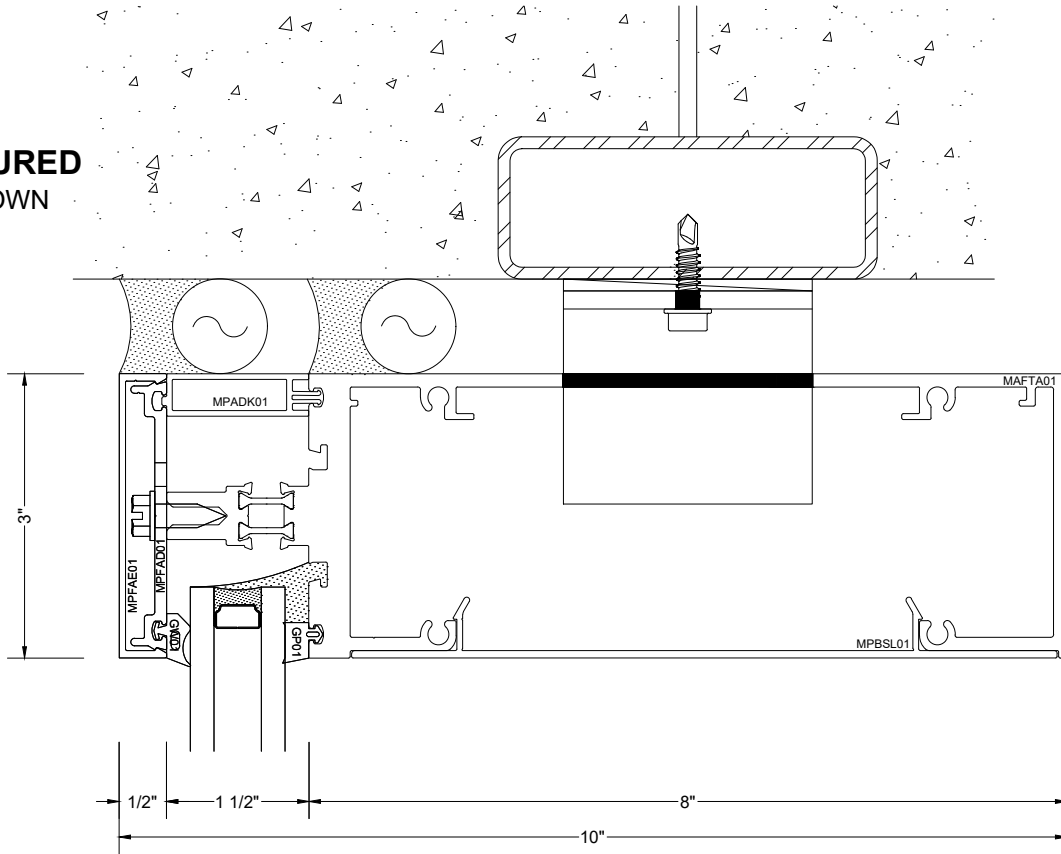


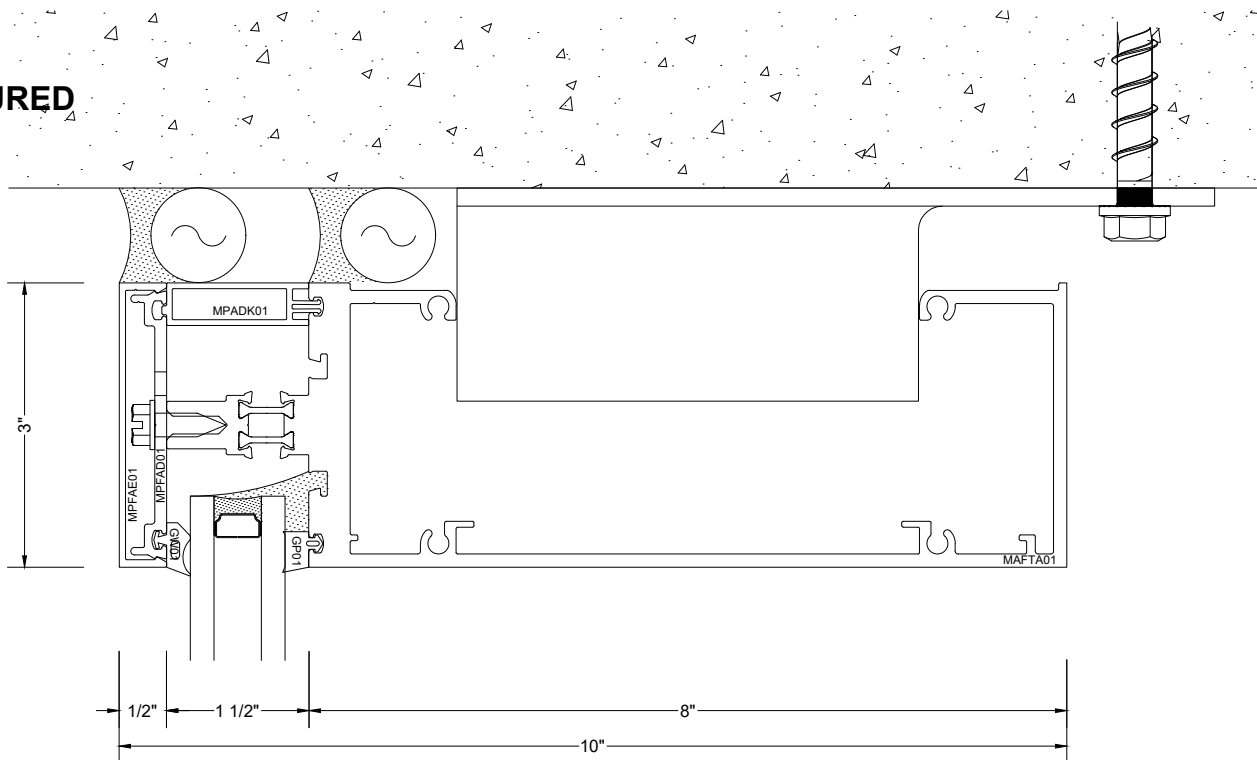
SECTION CONTENTS

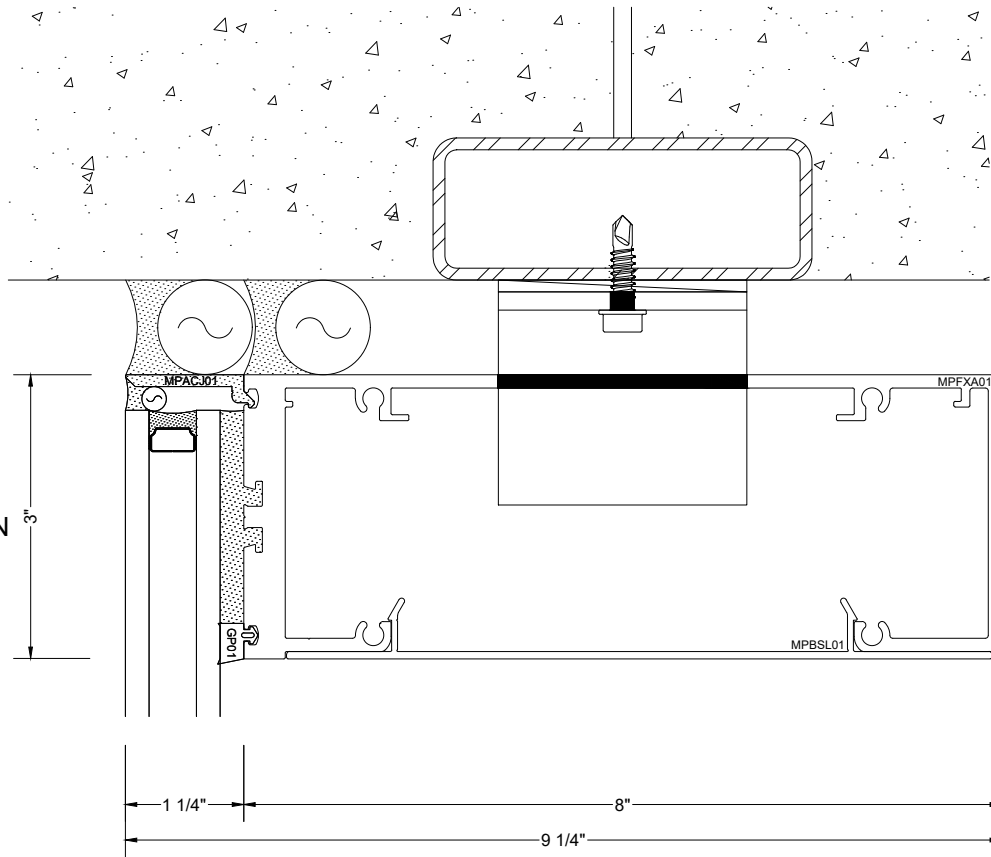
<u>DETAIL</u>	<u>PAGES</u>
Heads _____	3-4
Sills _____	5-8
Horizontals _____	9-10
Unit Stacks _____	11-12
Jambs _____	13
Vertical Stacks _____	14
Corners _____	15-17
Insert Vents _____	18-20
Captured Unit Stack Anchors at Slab _____	21-28
SSG Unit Stack Anchors at Slab _____	29-36
Shadow box and backpan _____	37-38
Metal panel _____	39-40
Cover options _____	41
Stool trim _____	42
Reinforcement and sunshade blade _____	43
Entrance Doors (PO) _____	44-50
Entrance Doors (PI) _____	51-57

1 HEAD CAPTURED
 OPEN BACK DOWN
 WITH COVER

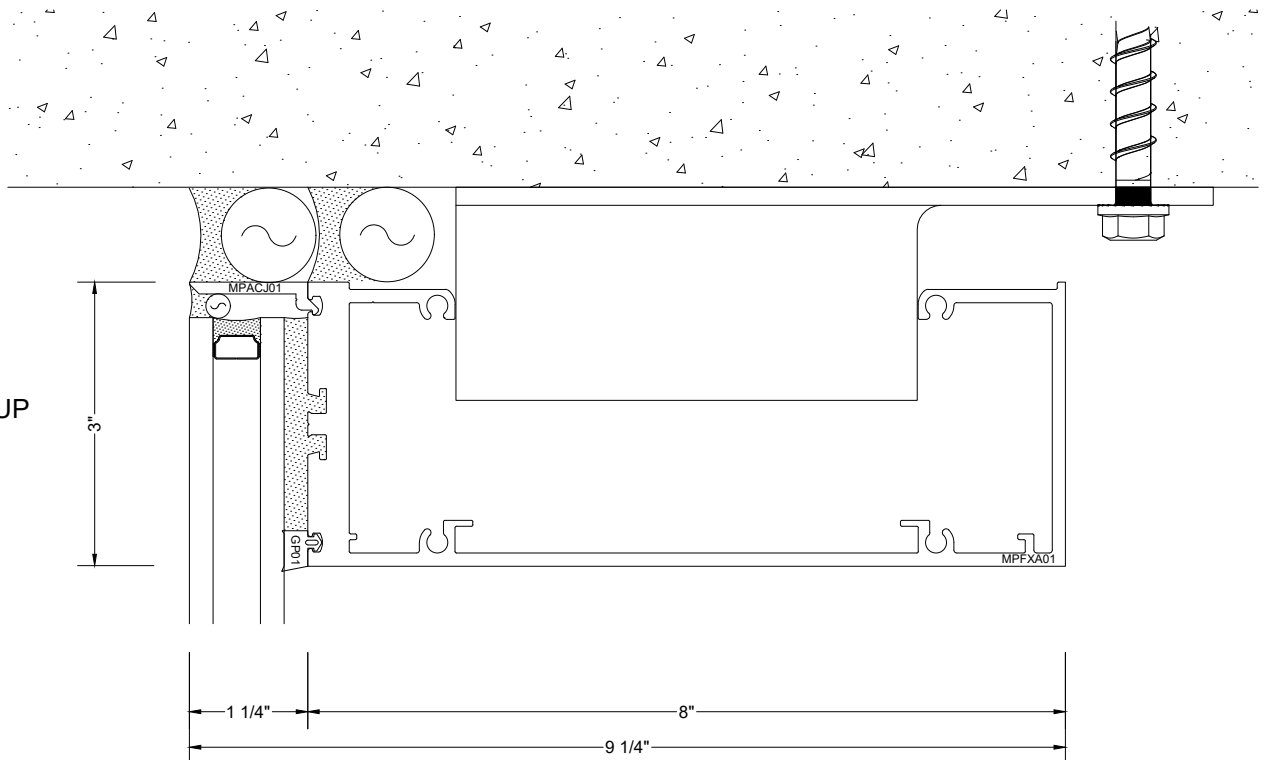


1A HEAD CAPTURED
 OPEN BACK UP



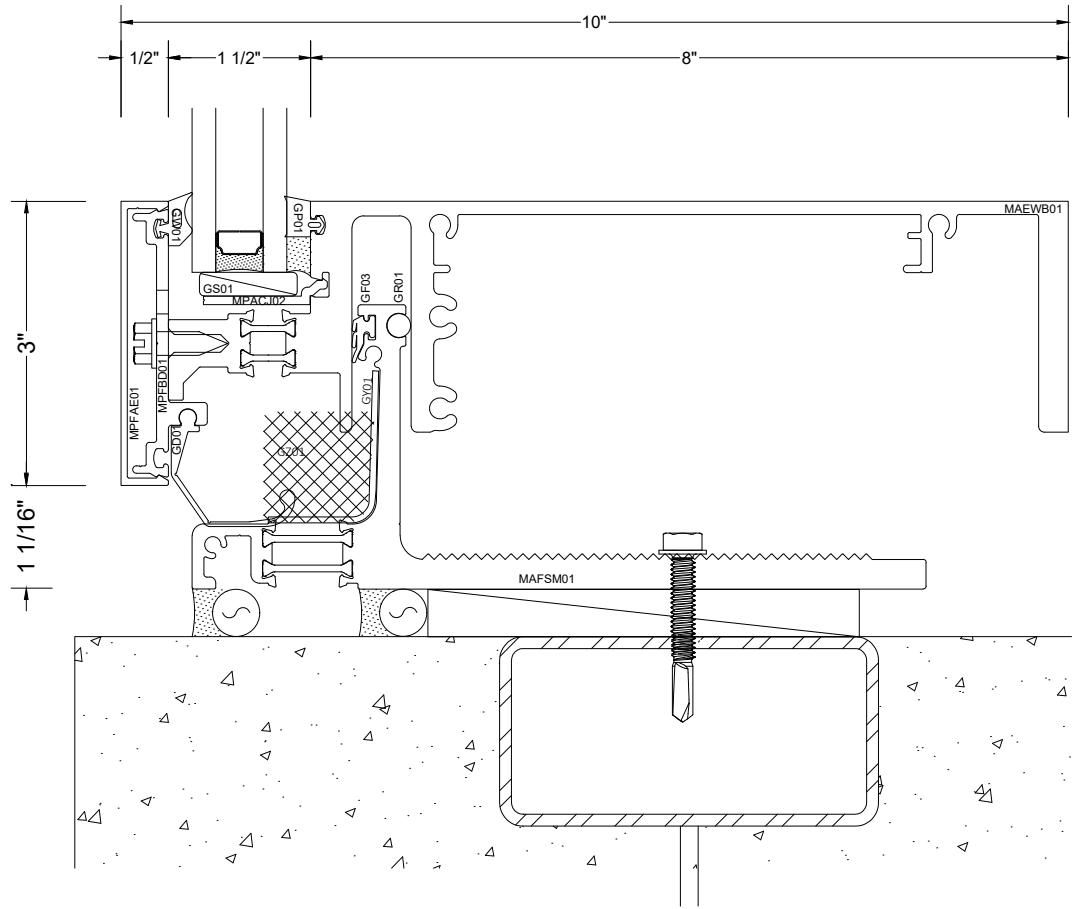


2 HEAD SSG
 OPEN BACK DOWN
 WITH COVER

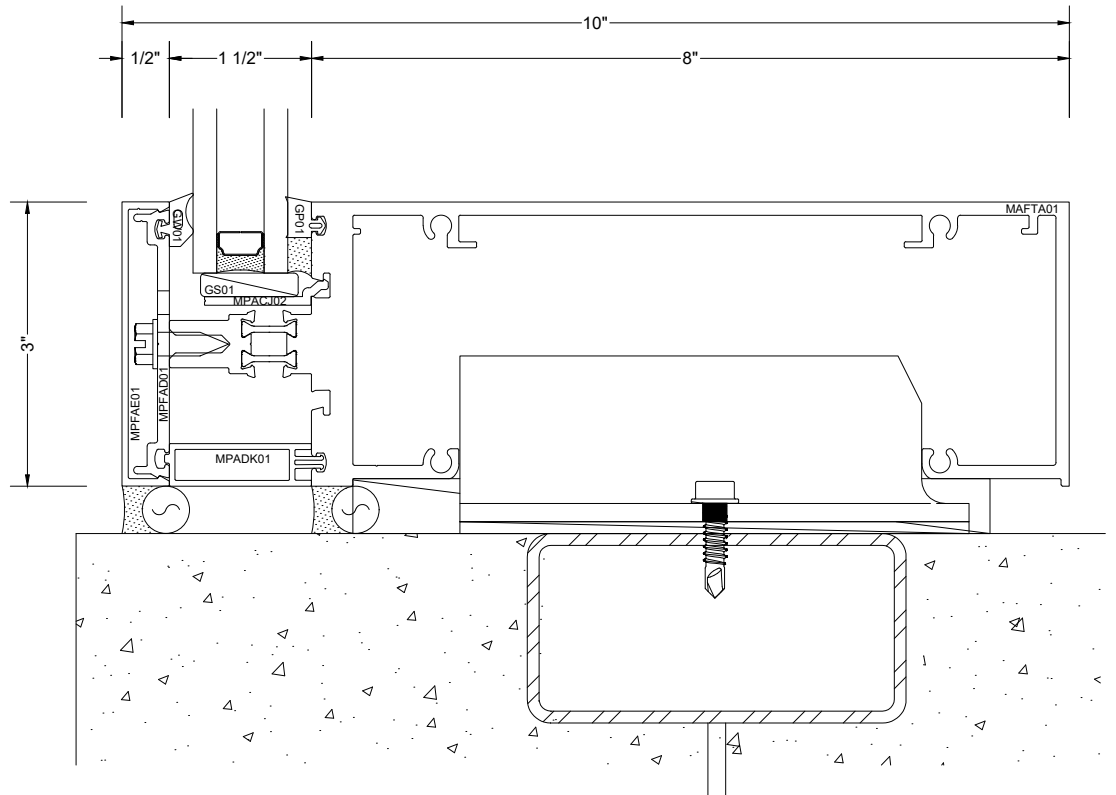


2A HEAD SSG
 OPEN BACK UP

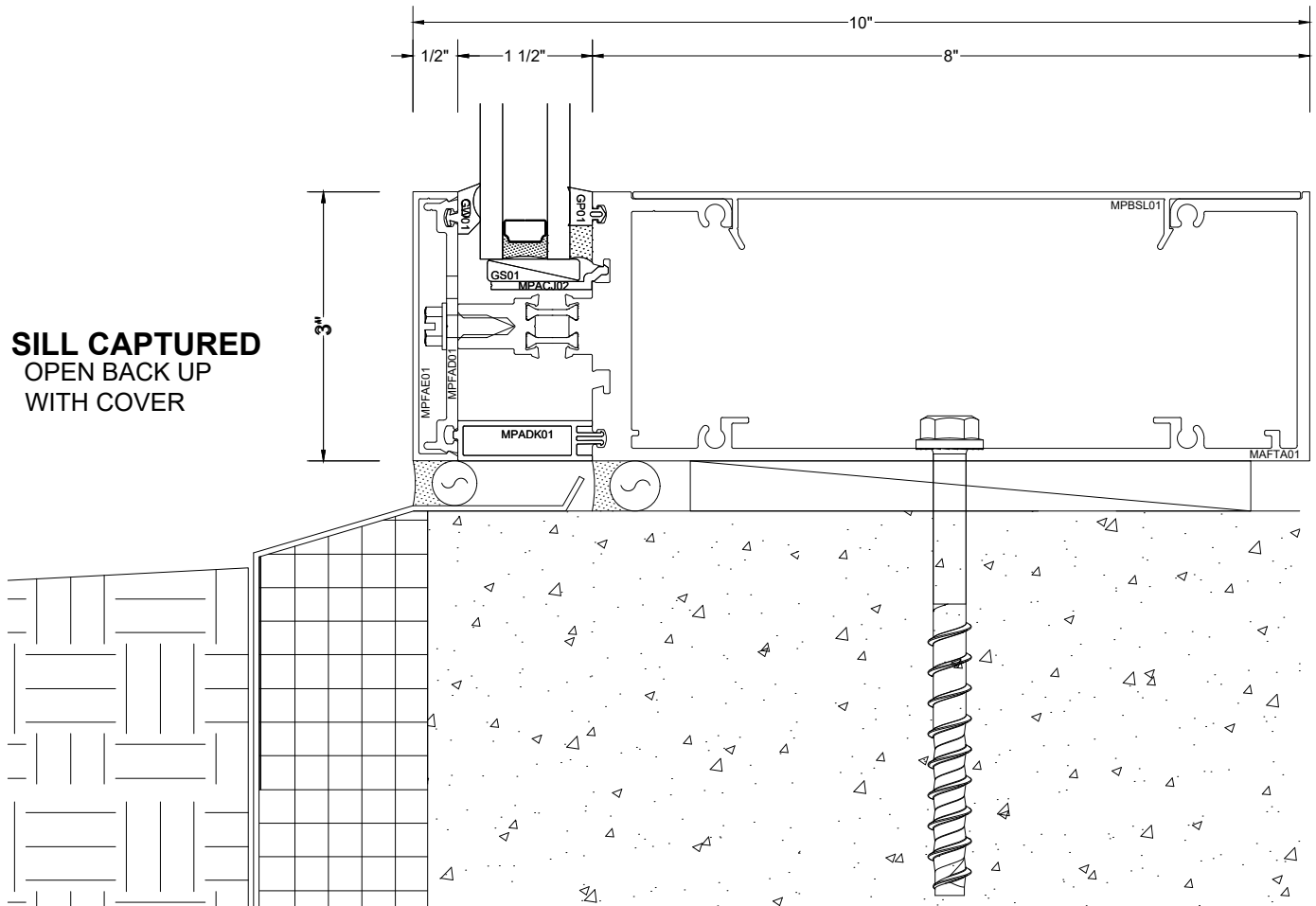
3 SILL CAPTURED
 STARTER



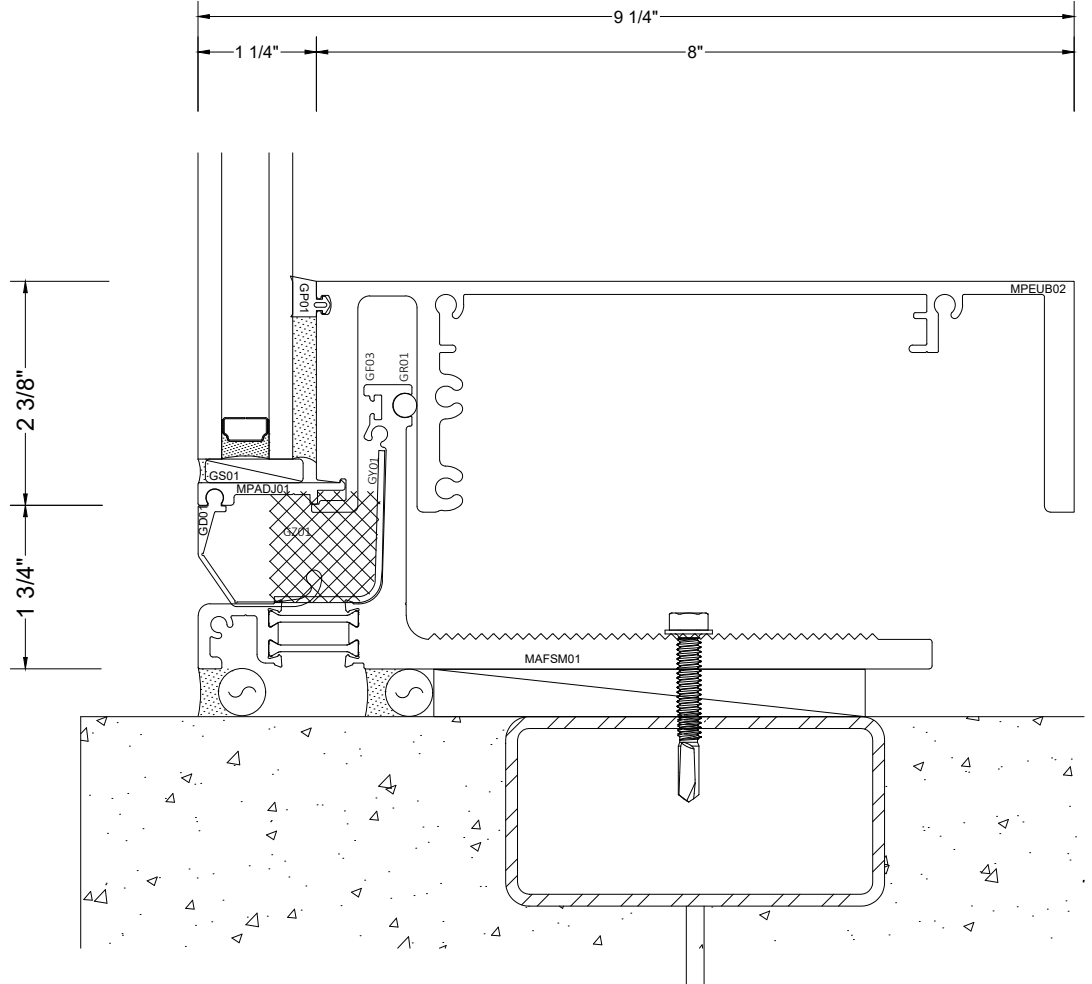
3A SILL CAPTURED
 OPEN BACK DOWN
 WITH CLIP



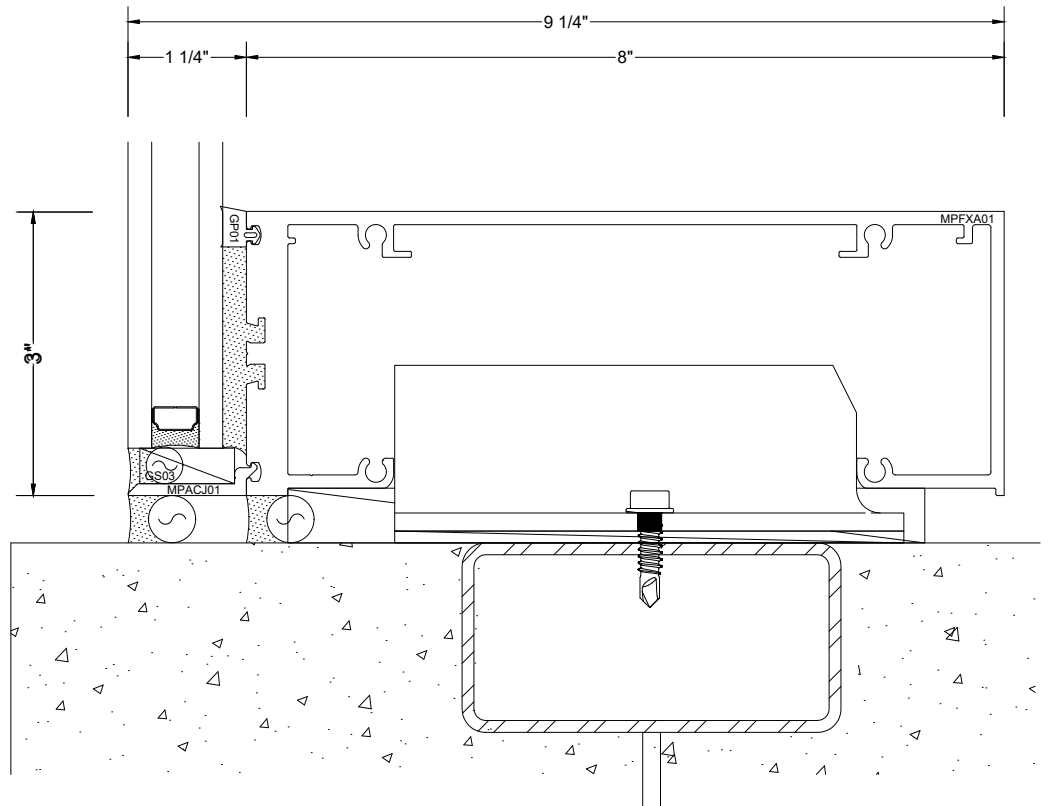
3B SILL CAPTURED
 OPEN BACK UP
 WITH COVER

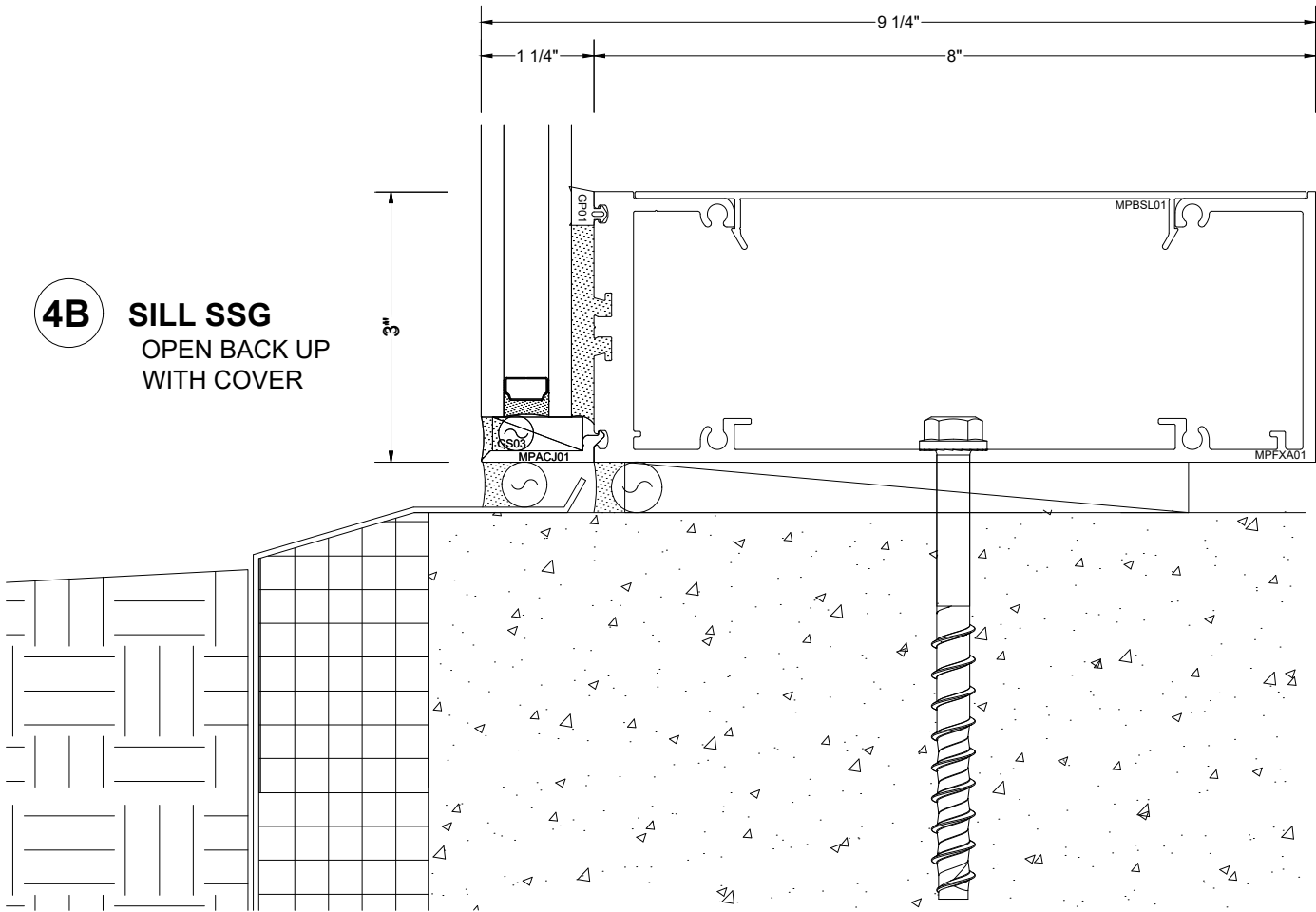


4 SILL SSG
 SILL STARTER

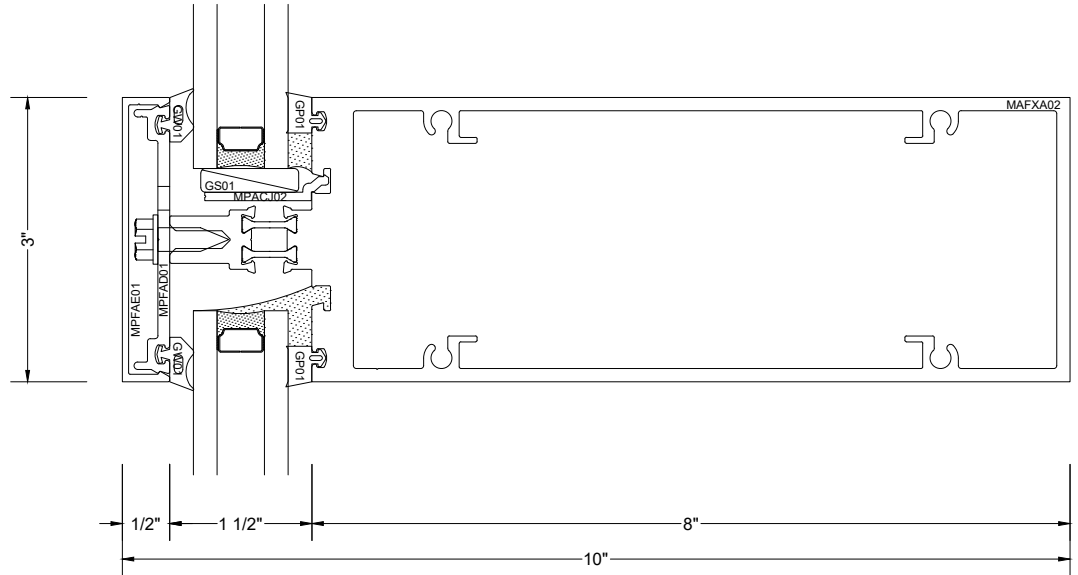


4A SILL SSG
 OPEN BACK DOWN
 WITH CLIP

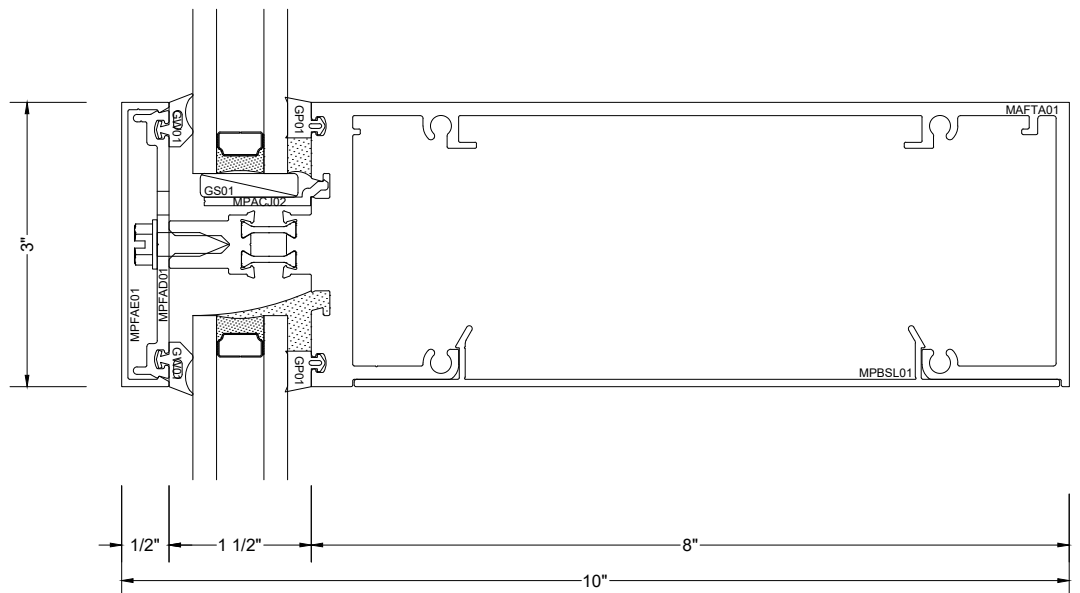




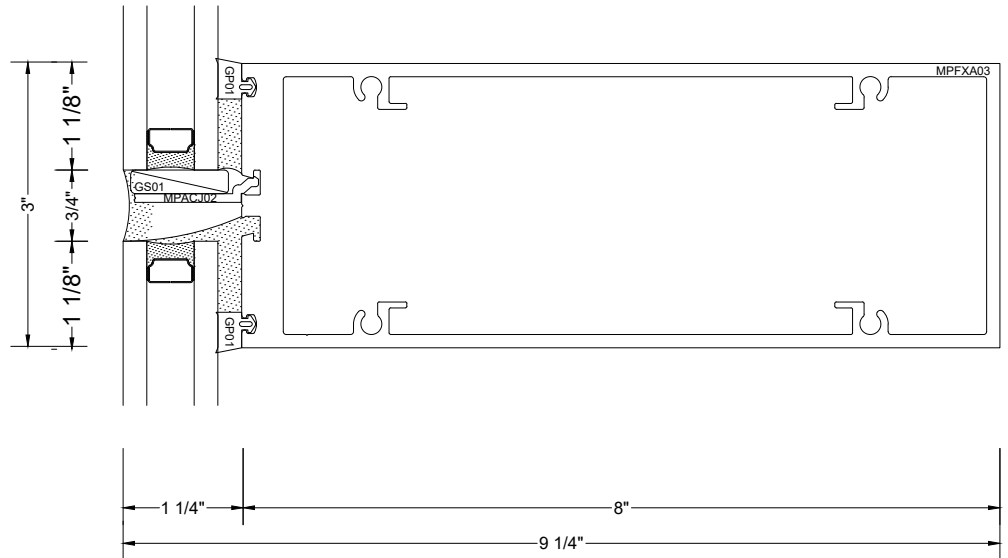
5 HORIZONTAL CAPTURED TUBE



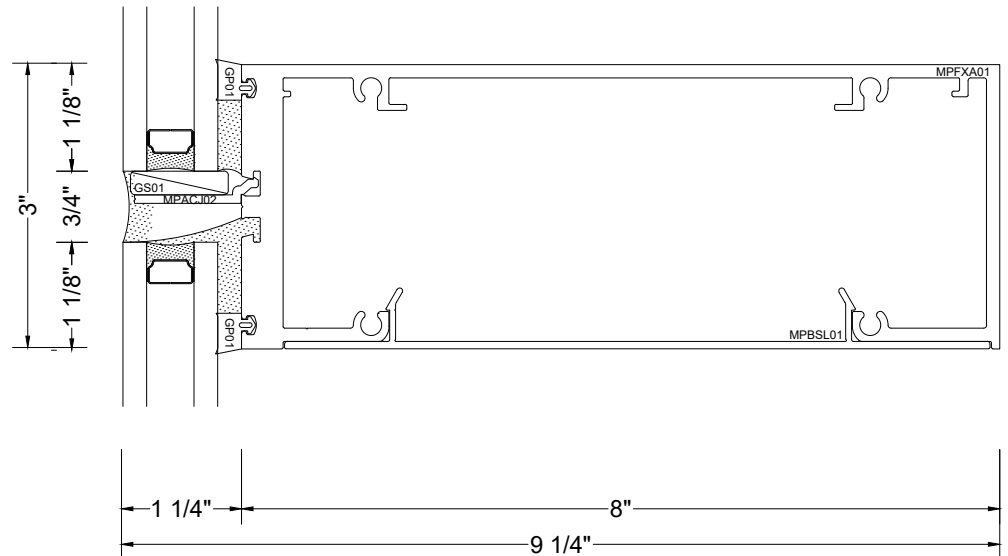
5A HORIZONTAL CAPTURED OPEN BACK DOWN WITH COVER



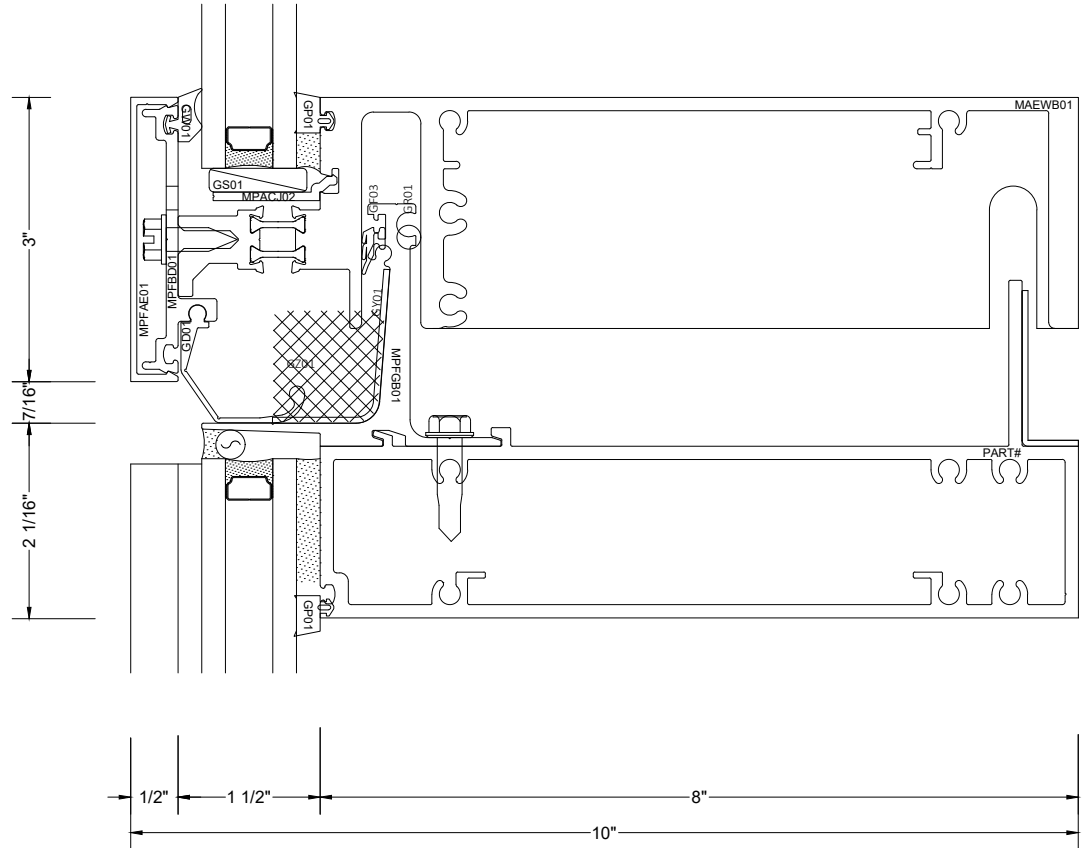
6 HORIZONTAL SSG
 TUBE



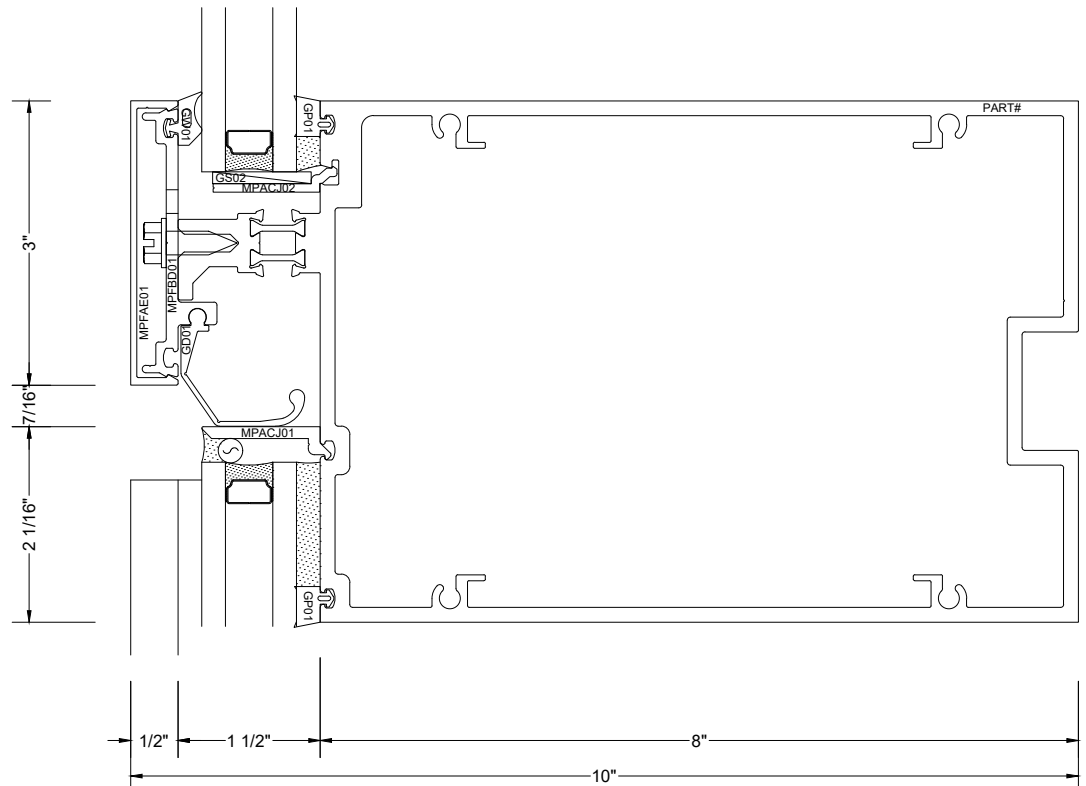
6A HORIZONTAL SSG
 OPEN BACK DOWN
 WITH COVER



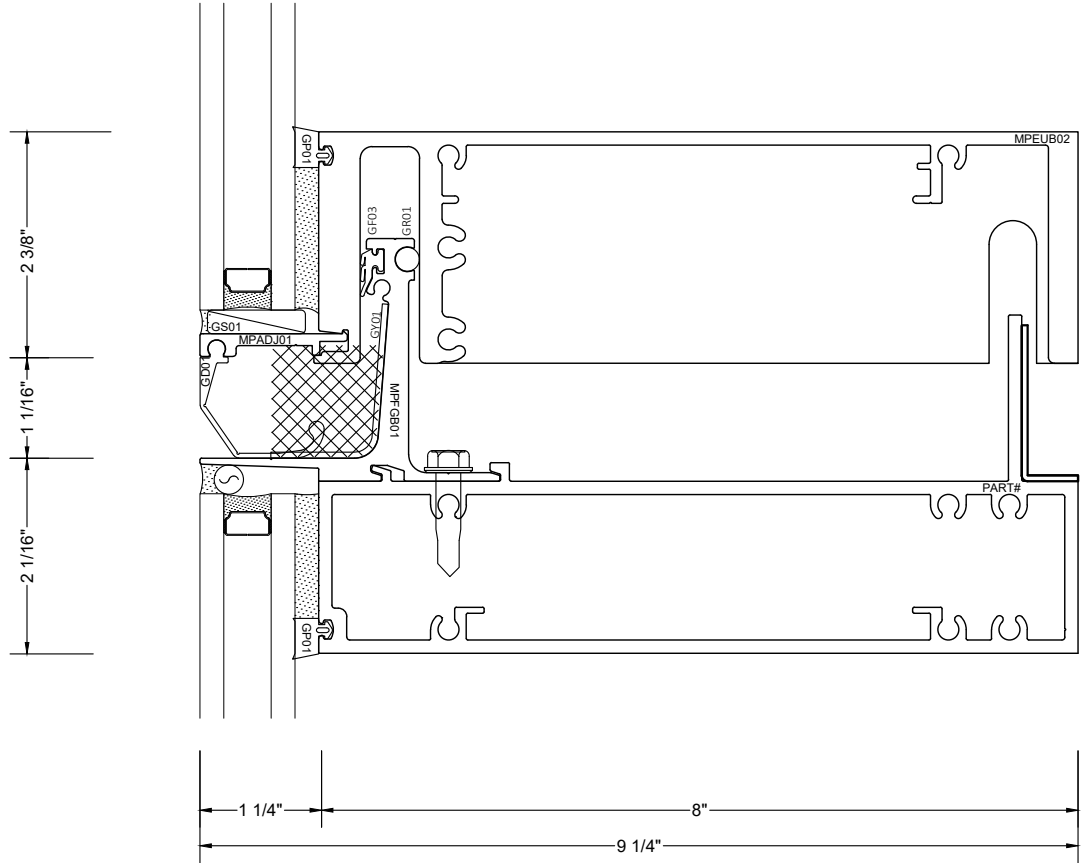
7 UNIT STACK CAPTURED



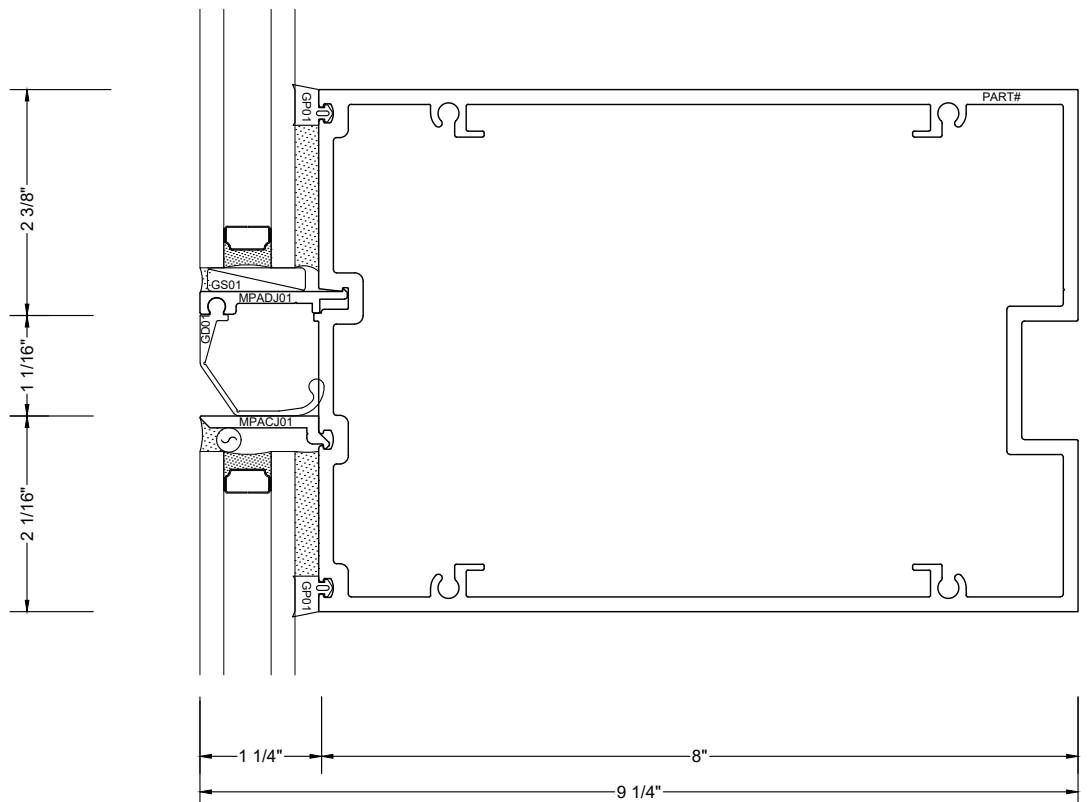
7A FAUX STACK CAPTURED

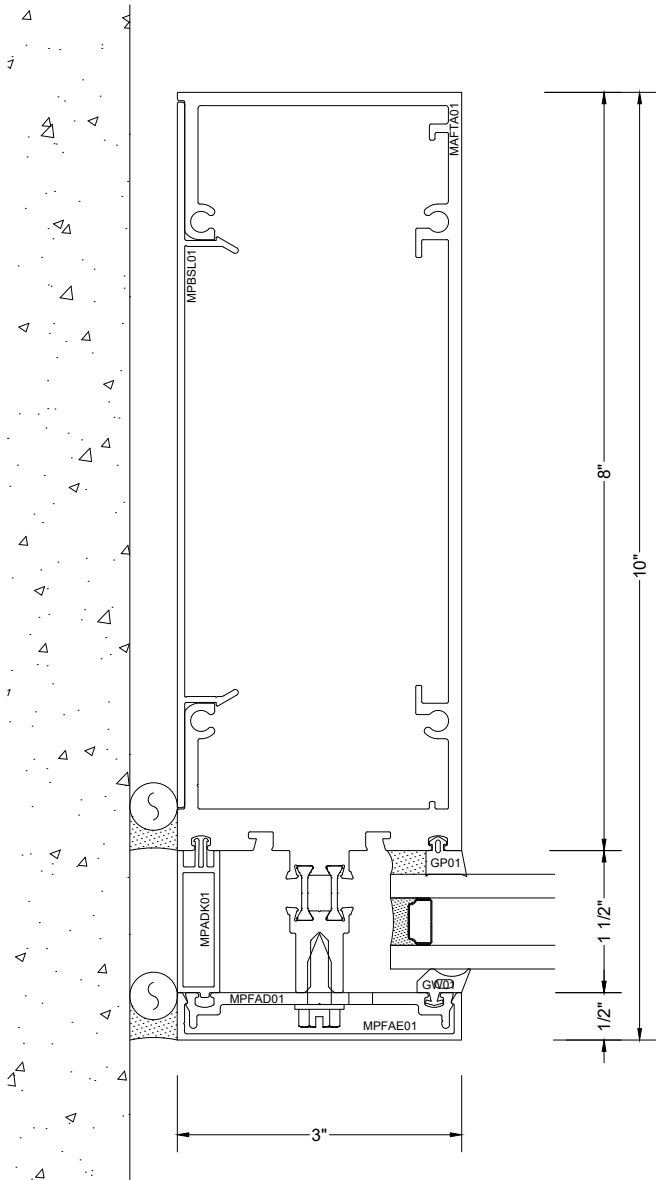


8 UNIT STACK
 SSG

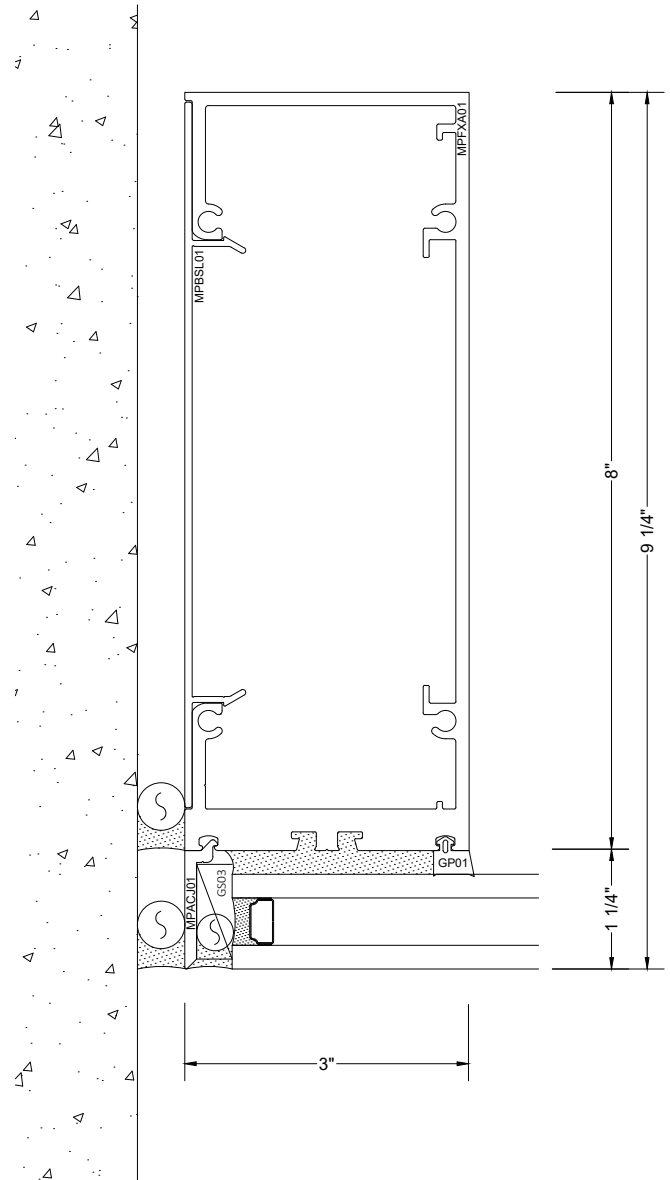


8A FAUX STACK
 SSG

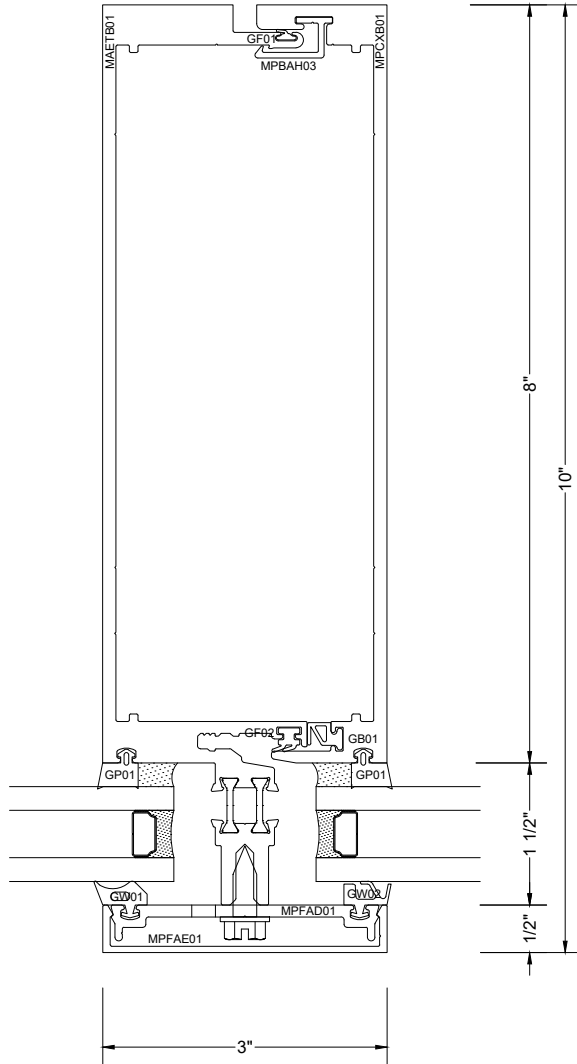




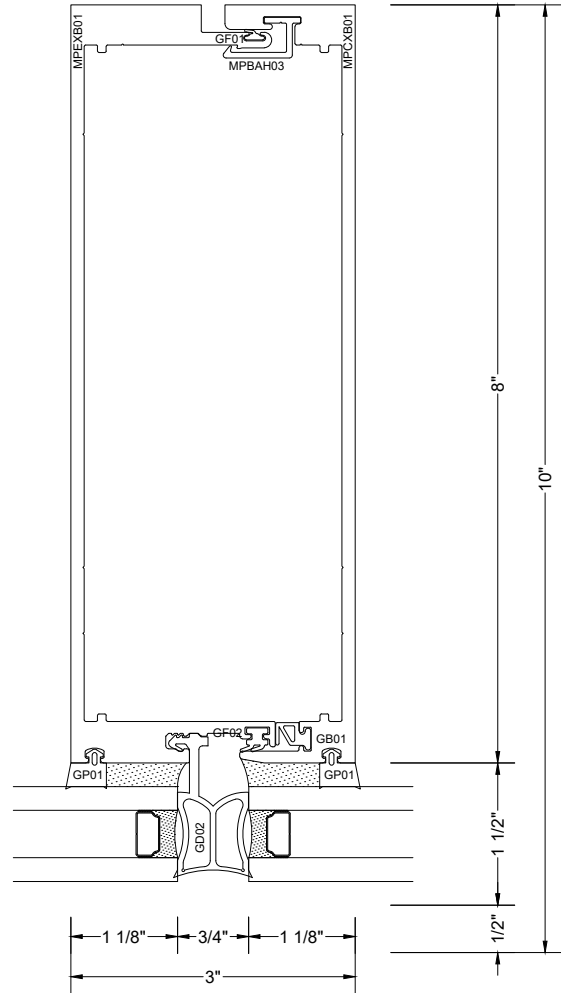
9 JAMB CAPTURED
 OPEN BACK WITH PVC FILLER



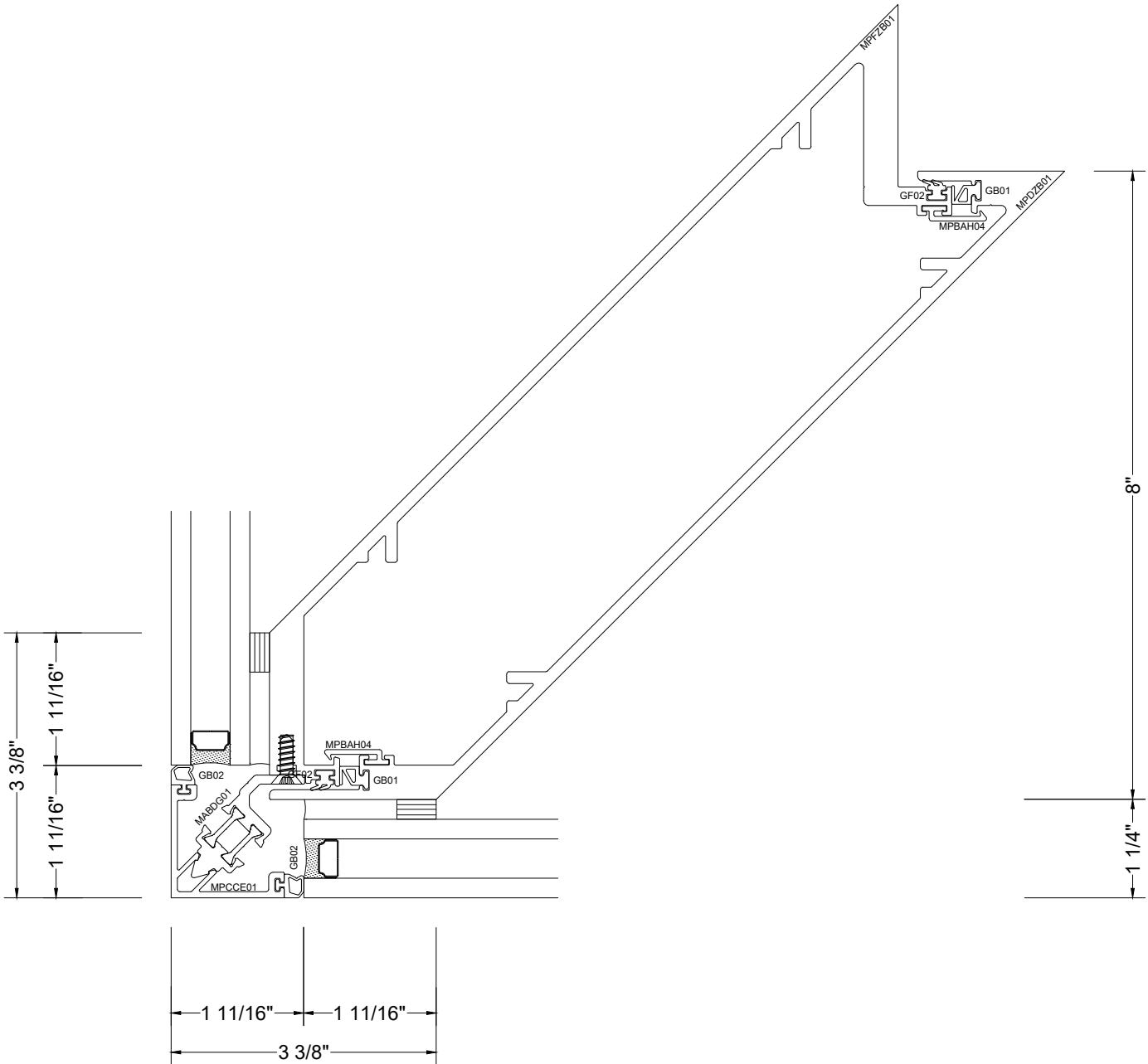
10 JAMB SSG
 OPEN BACK WITH PVC FILLER



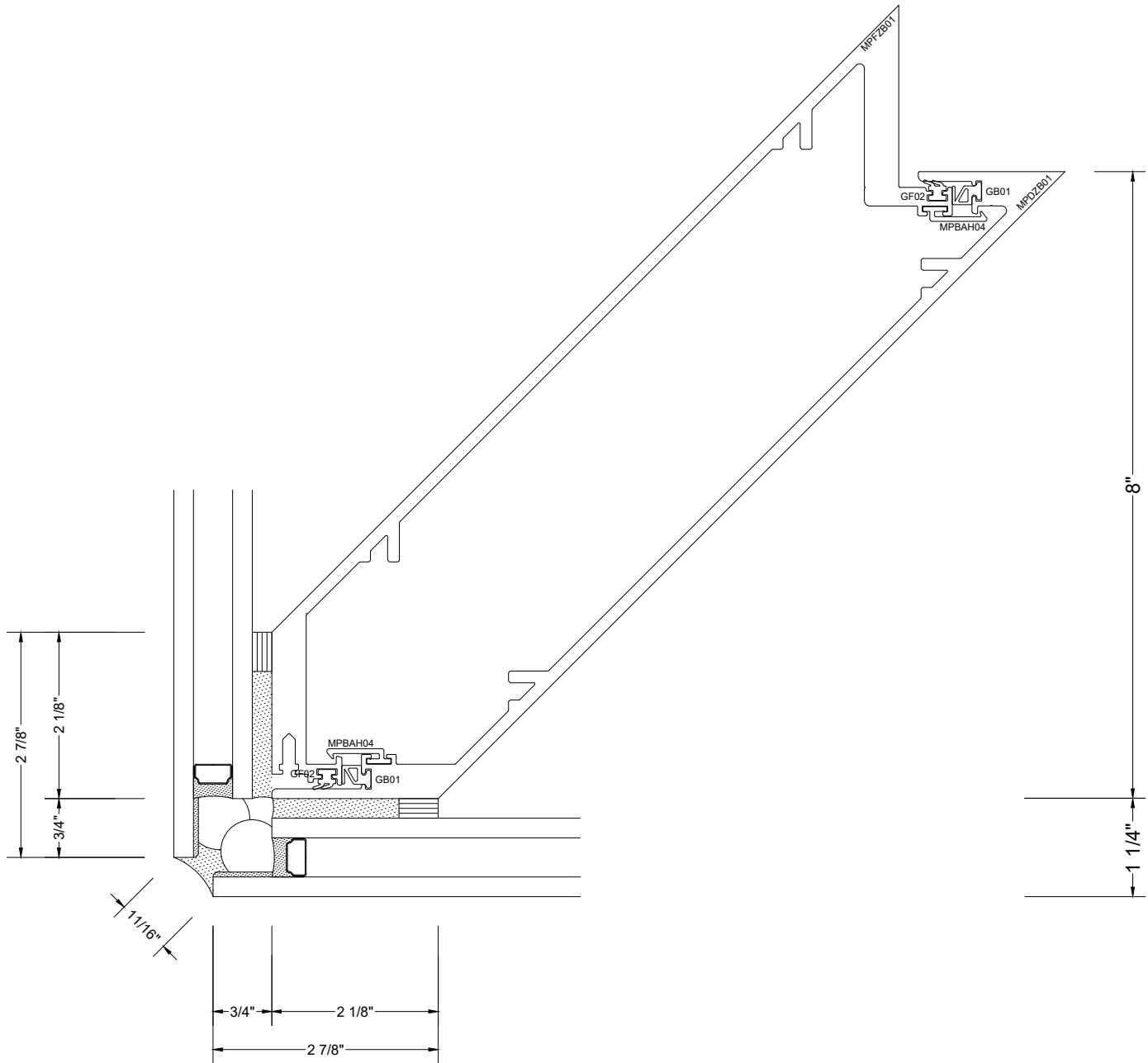
11 VERTICAL CAPTURED



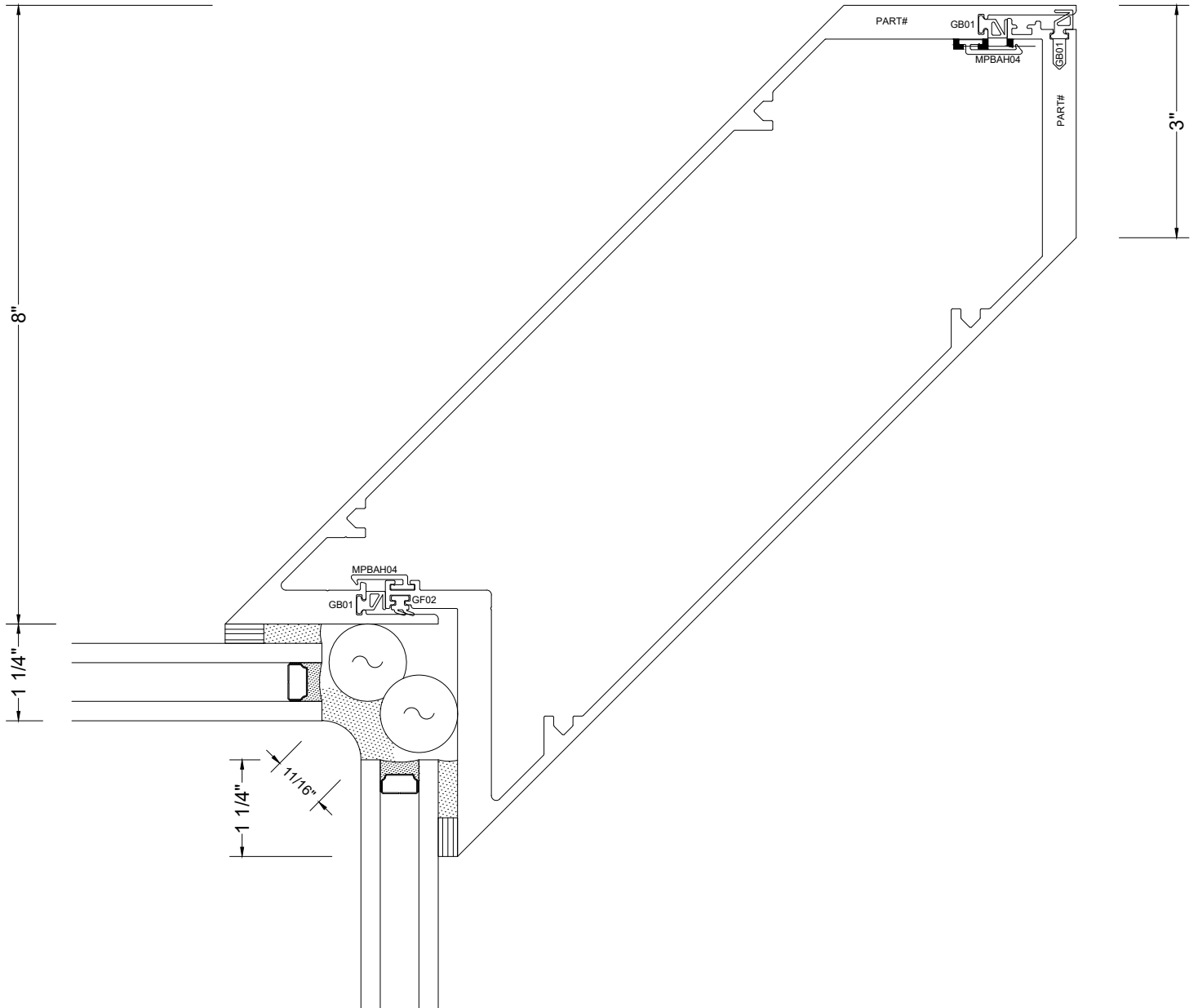
12 VERTICAL SSG



13 **90° OUTSIDE CORNER SSG**
 ALUMINUM NOSE
 *contact JRB for other angle options

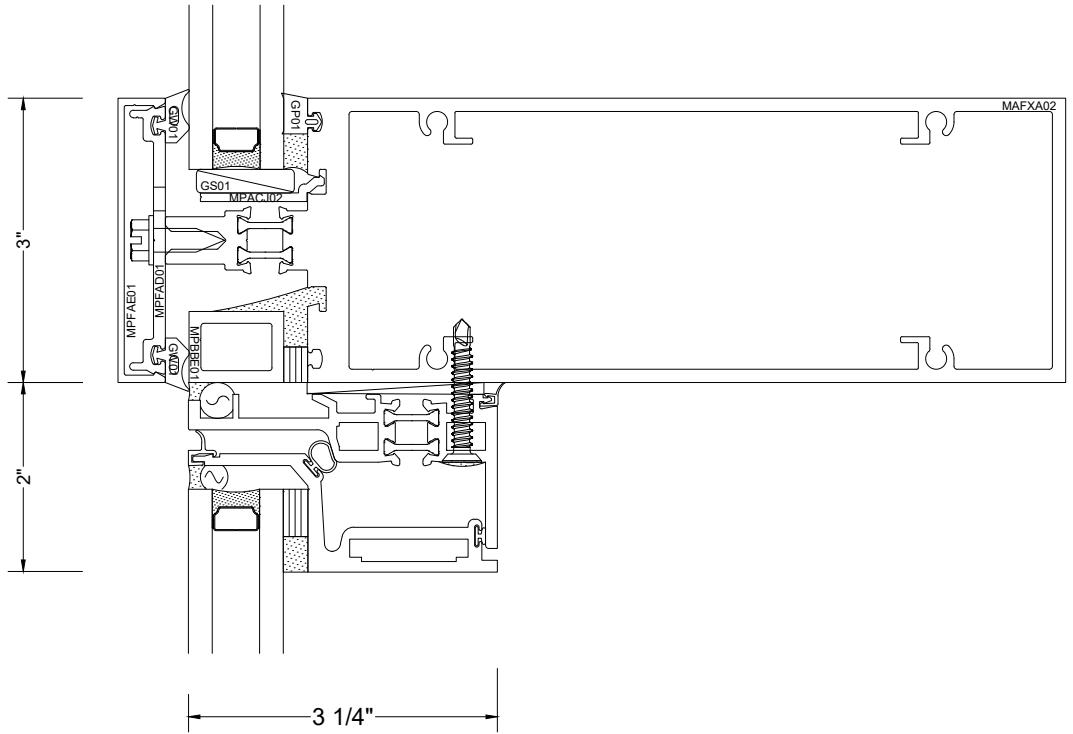


14 **90° OUTSIDE CORNER SSG**
 GLASS NOSE
 *contact JRB for other angle options

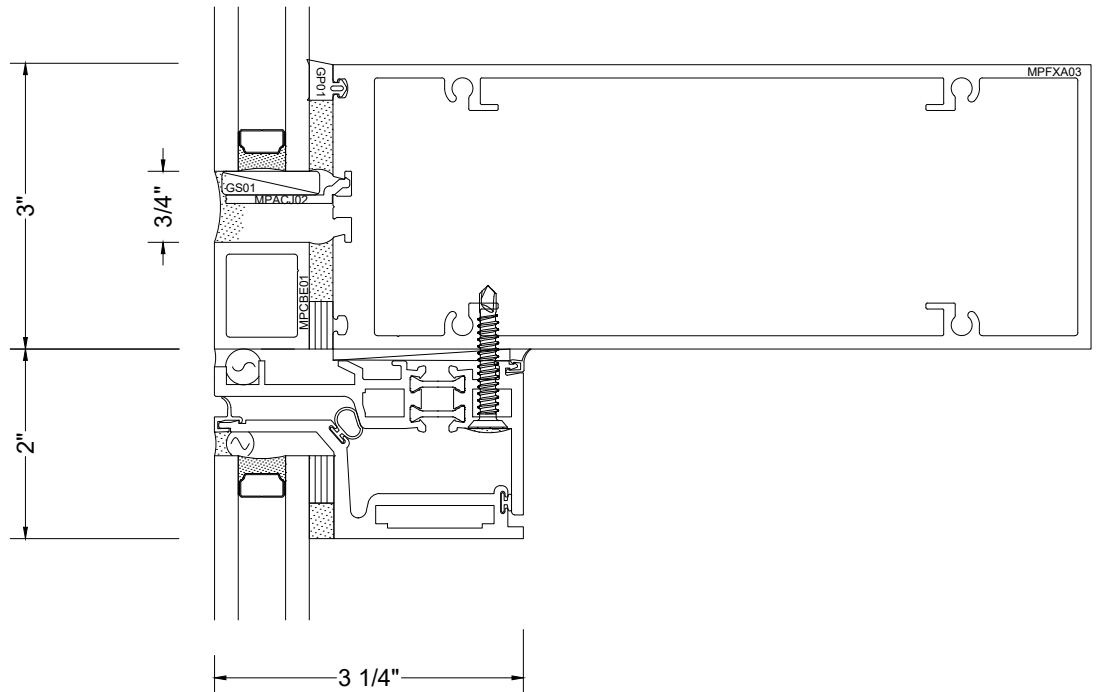


15 **90° INSIDE CORNER SSG**
 *contact JRB for other angle options

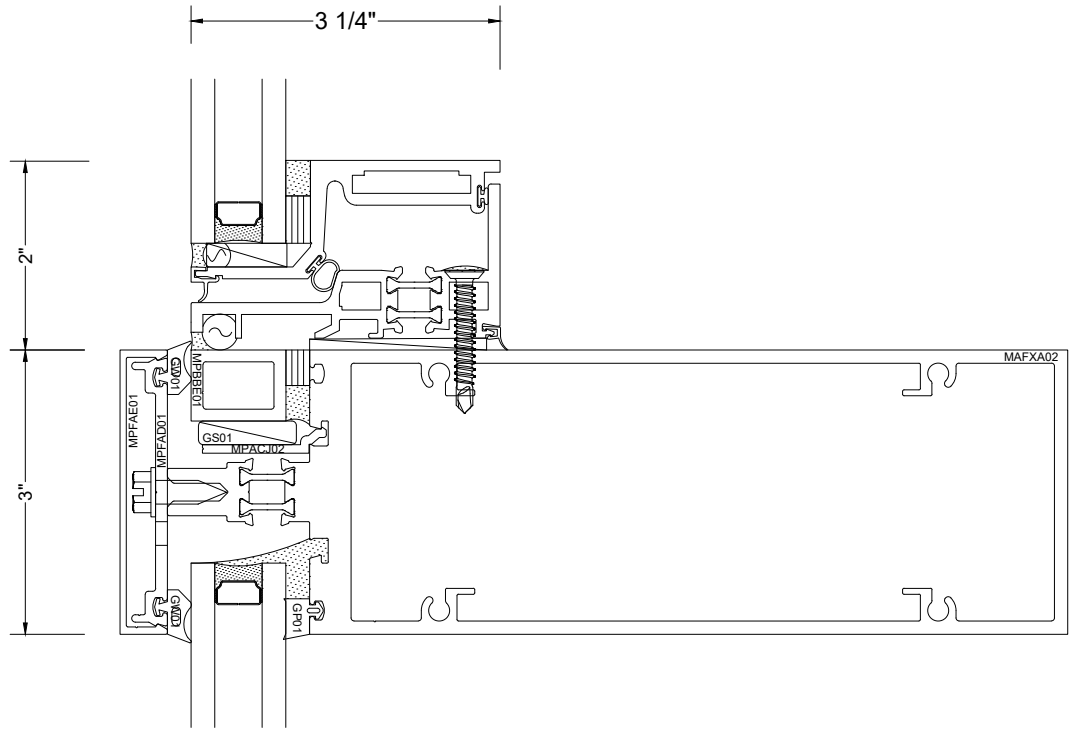
16 HEAD CAPTURED
 ZERO SITE LINE
 INSERT VENT



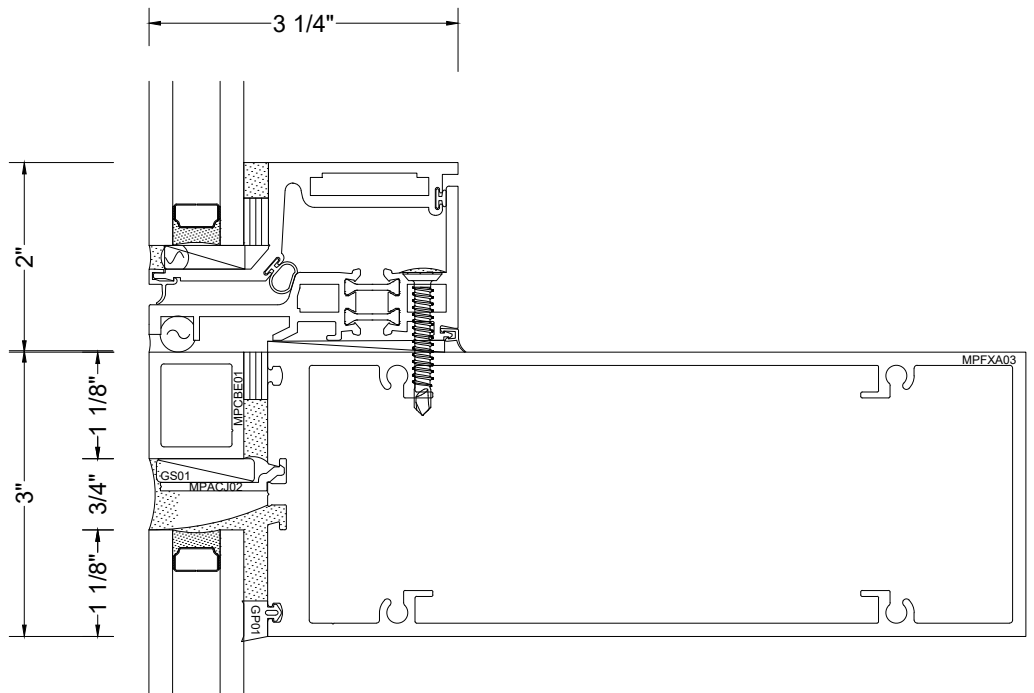
16A HEAD SSG
 ZERO SITE LINE
 INSERT VENT

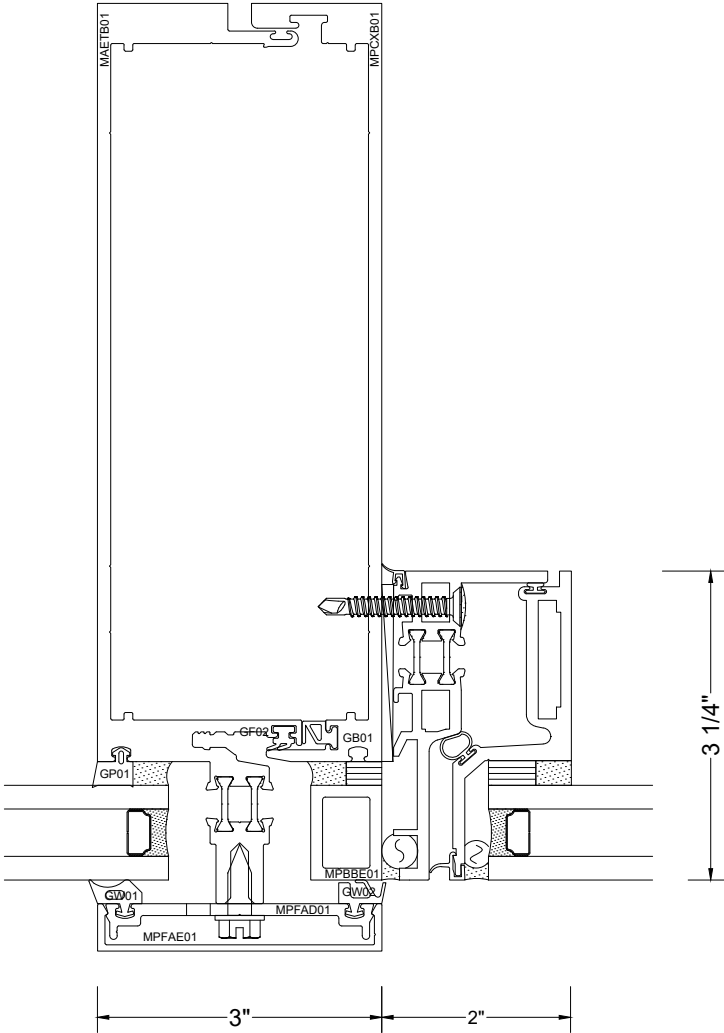


17 SILL CAPTURED
 ZERO SITE LINE
 INSERT VENT

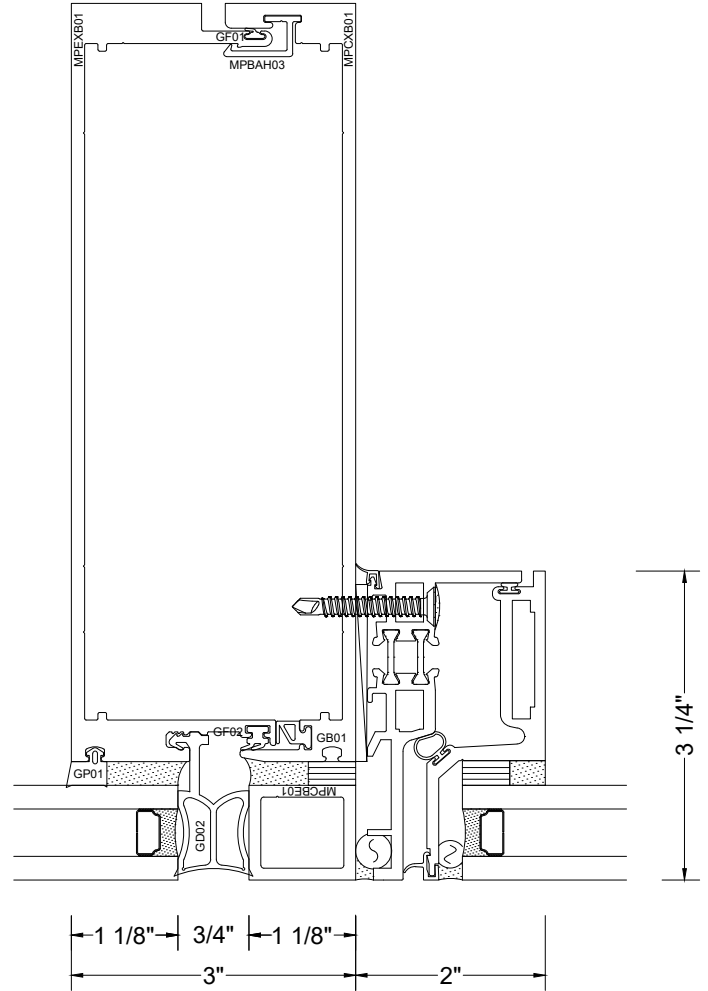


17A SILL SSG
 ZERO SITE LINE
 INSERT VENT

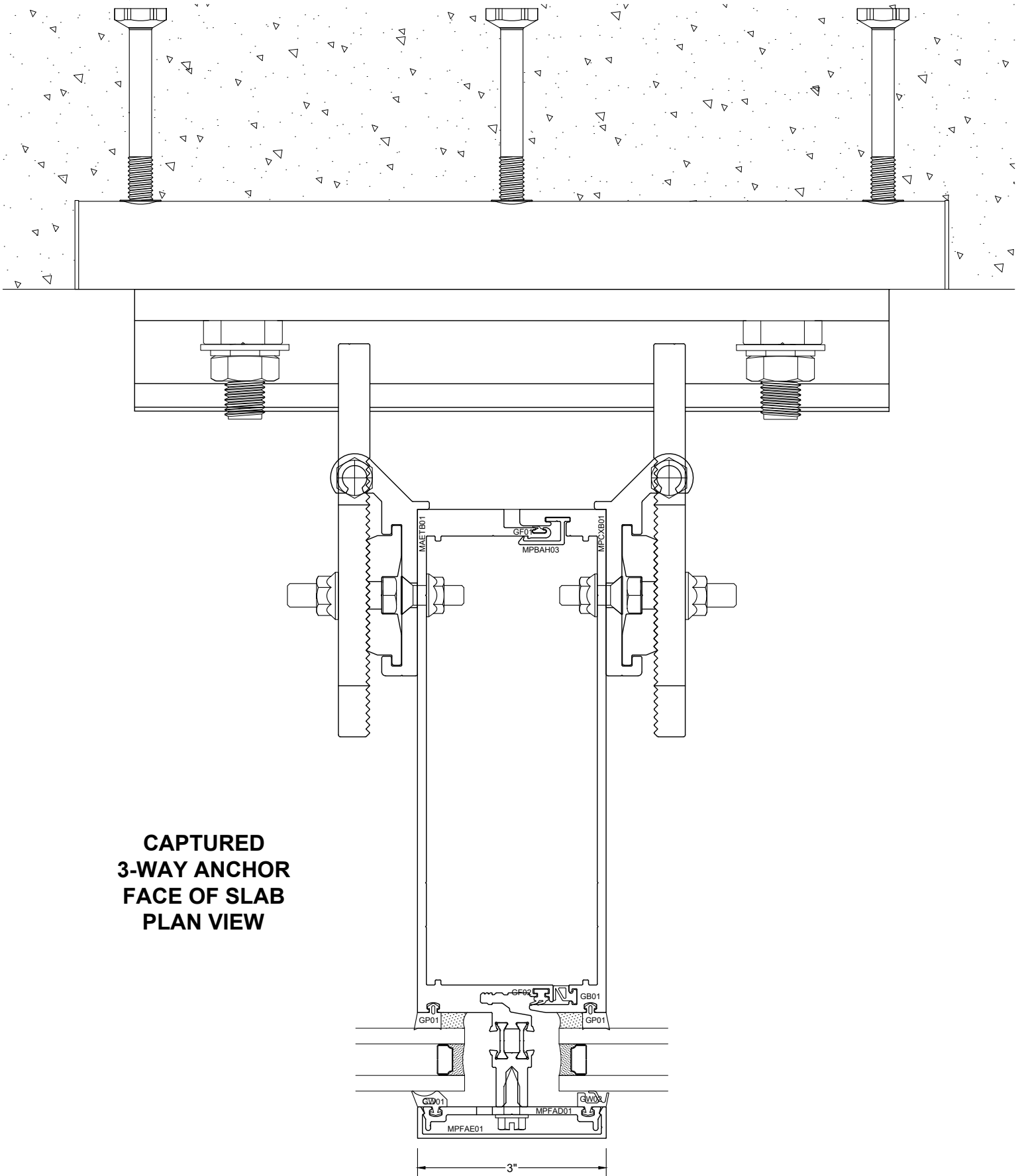




18 JAMB CAPTURED
 ZERO SITE LINE
 INSERT VENT

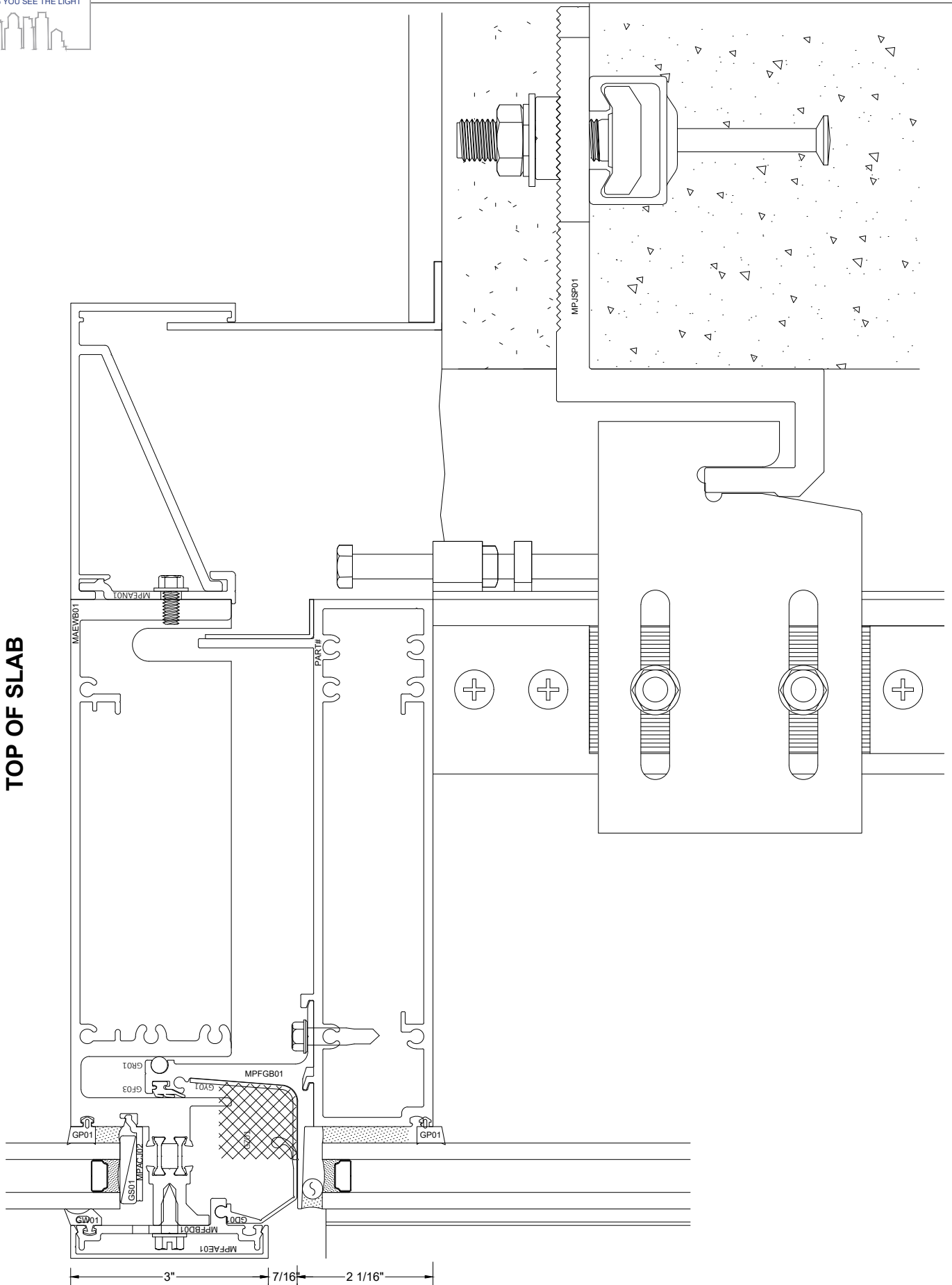


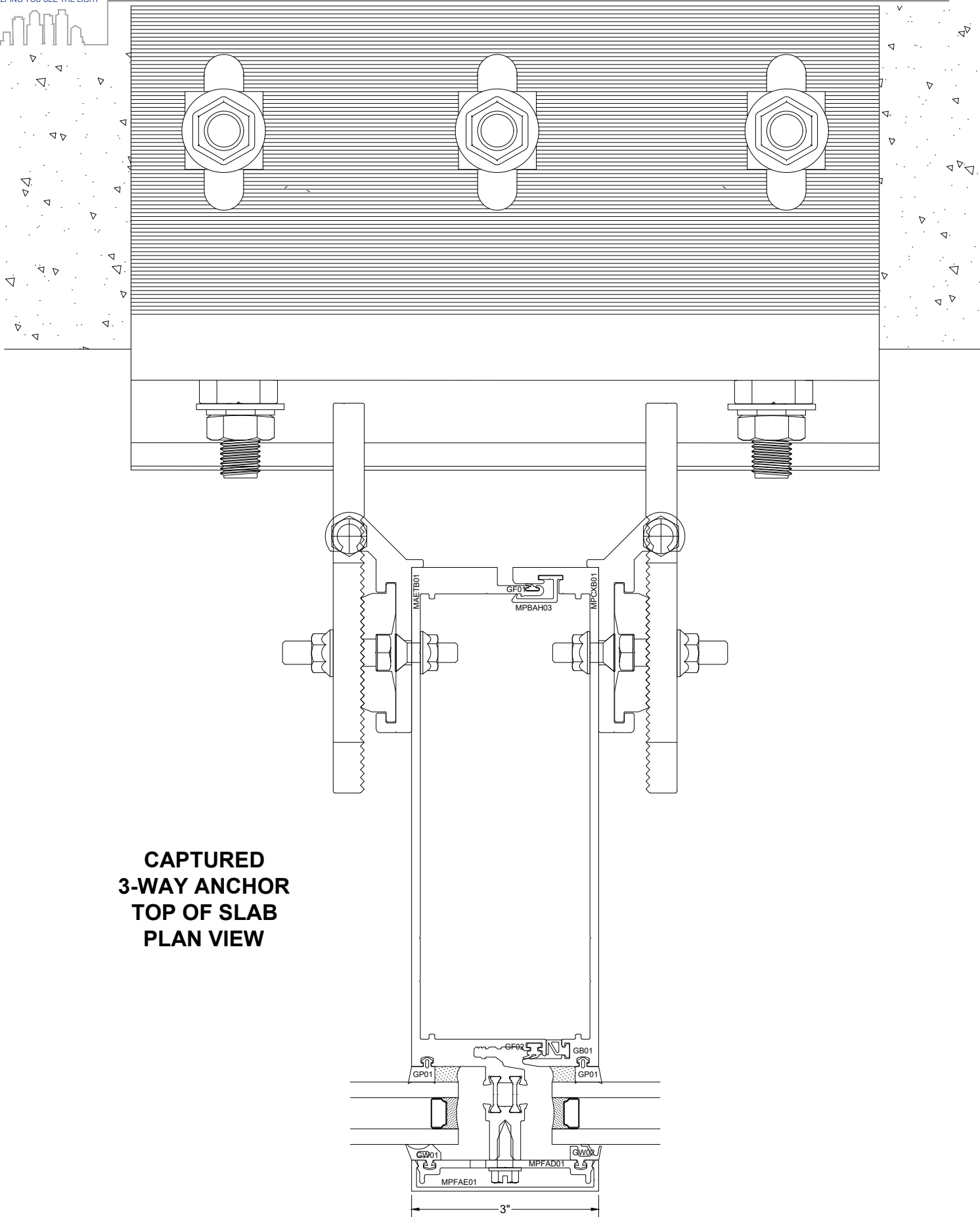
18A JAMB SSG
 ZERO SITE LINE
 INSERT VENT



**CAPTURED
 3-WAY ANCHOR
 FACE OF SLAB
 PLAN VIEW**

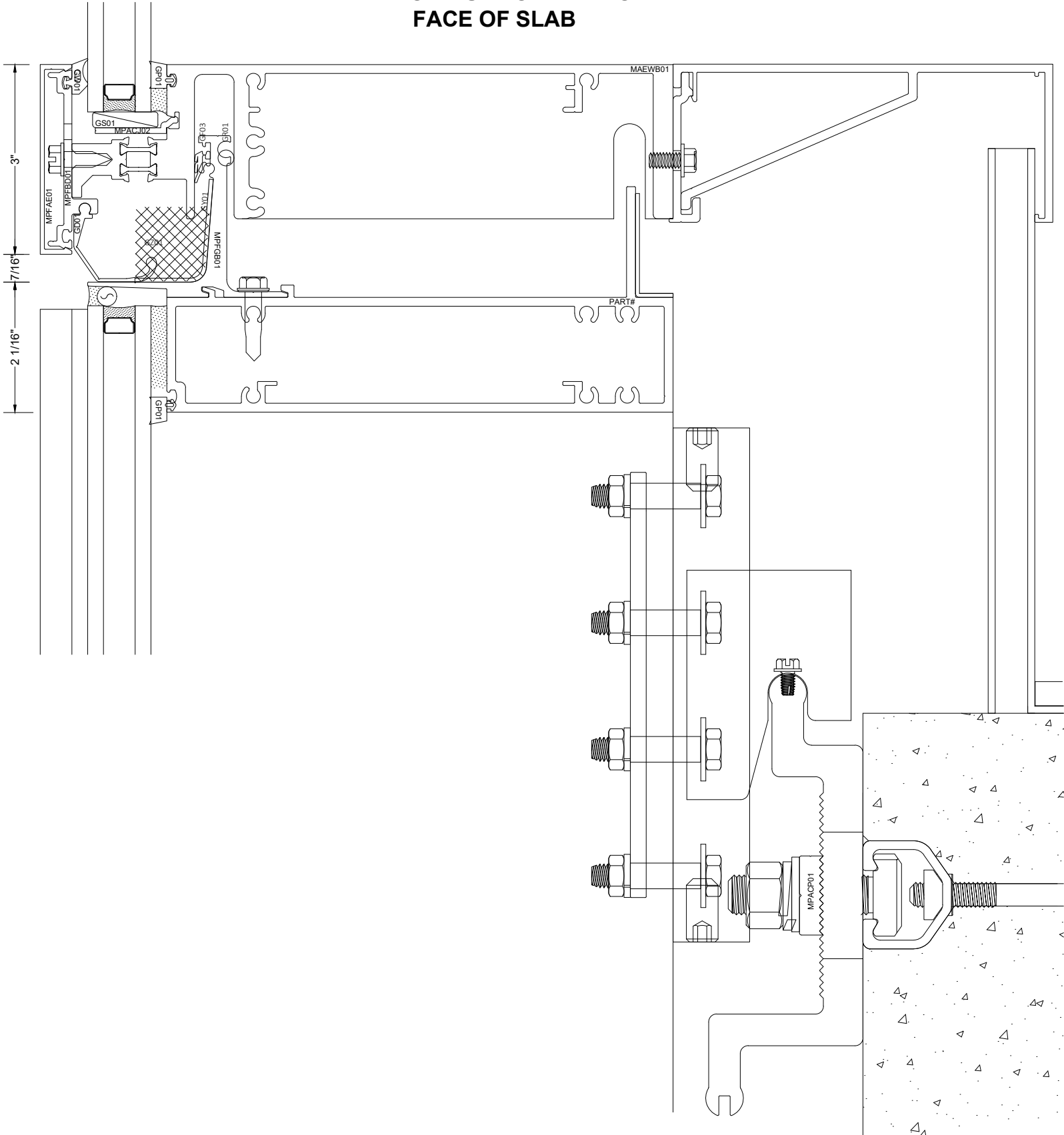
**CAPTURED
 3-WAY ANCHOR
 TOP OF SLAB**

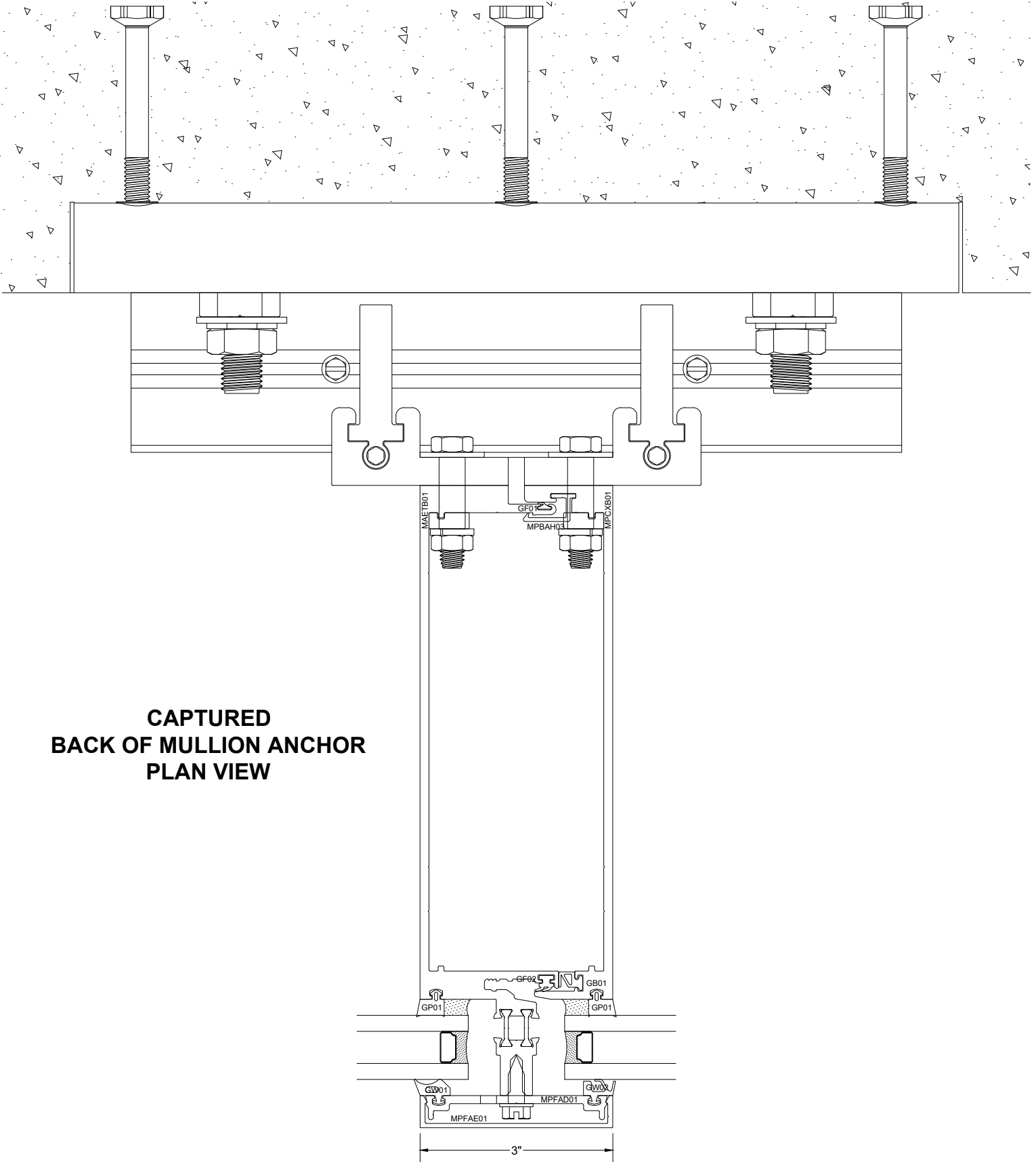




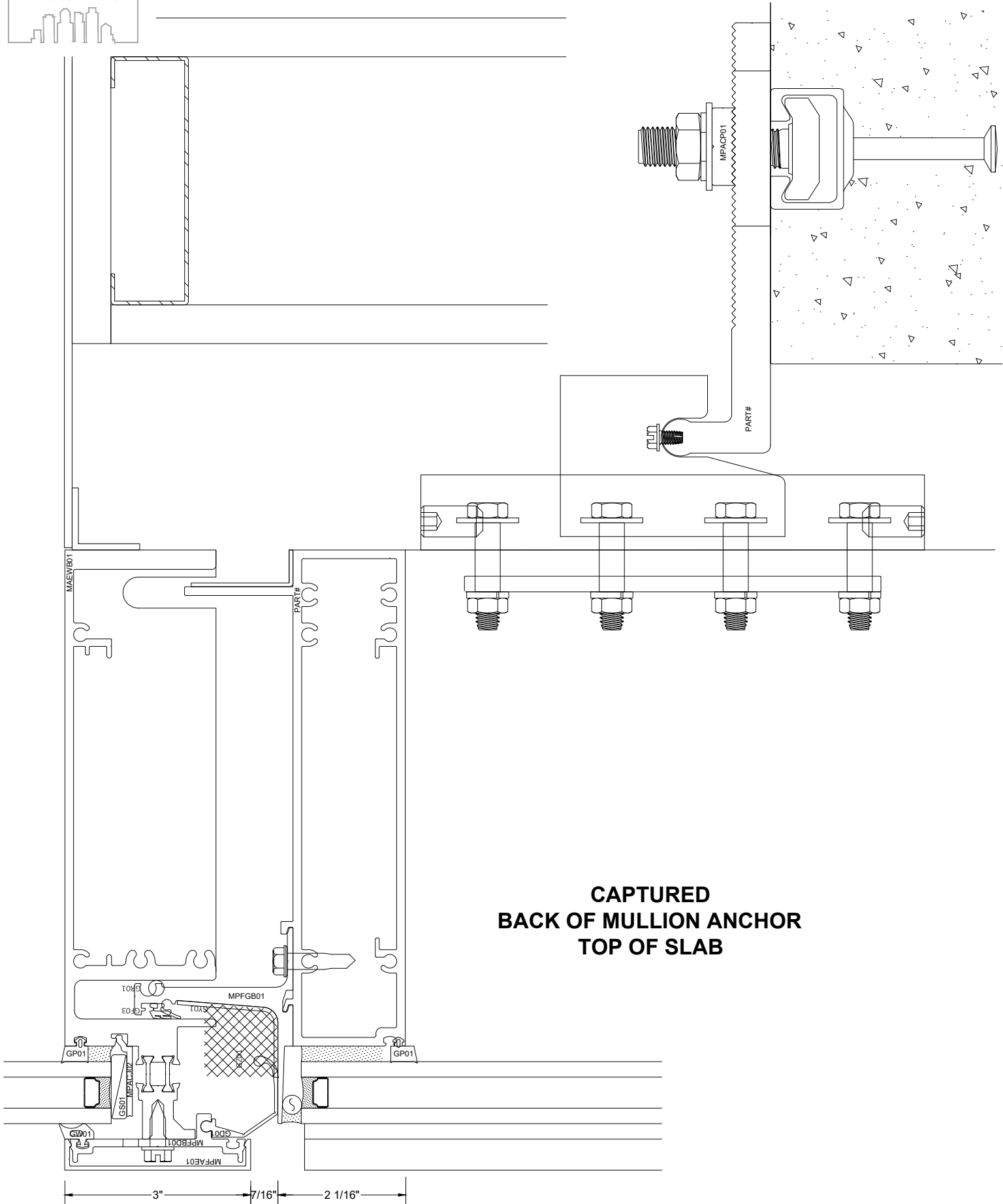
**CAPTURED
 3-WAY ANCHOR
 TOP OF SLAB
 PLAN VIEW**

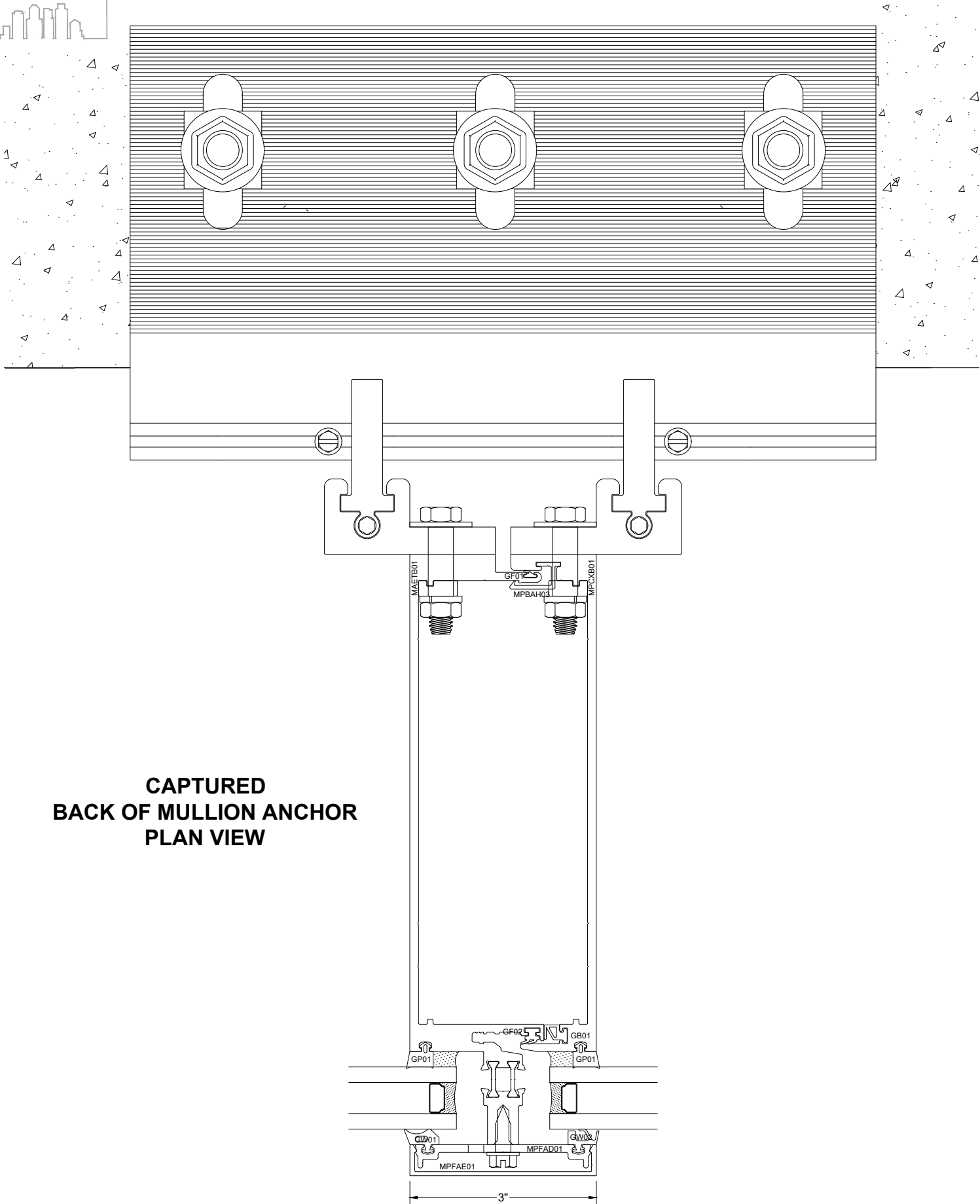
**CAPTURED
 BACK OF MULLION ANCHOR
 FACE OF SLAB**





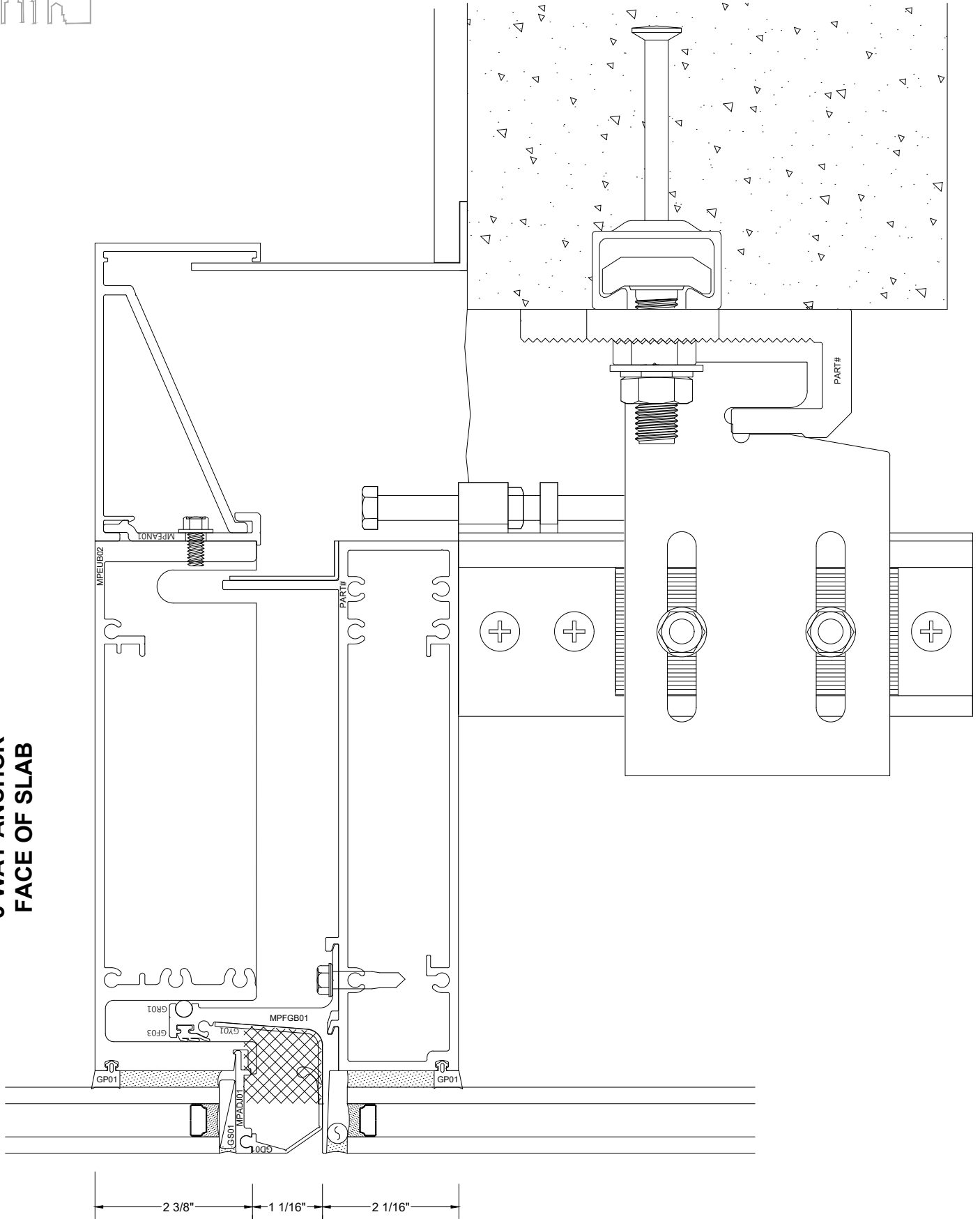
**CAPTURED
 BACK OF MULLION ANCHOR
 PLAN VIEW**

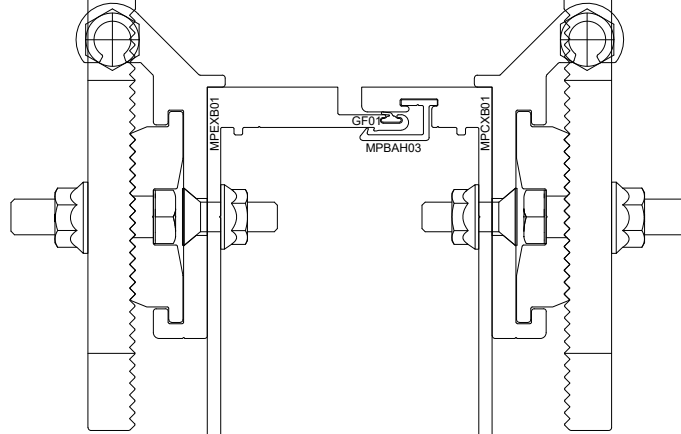
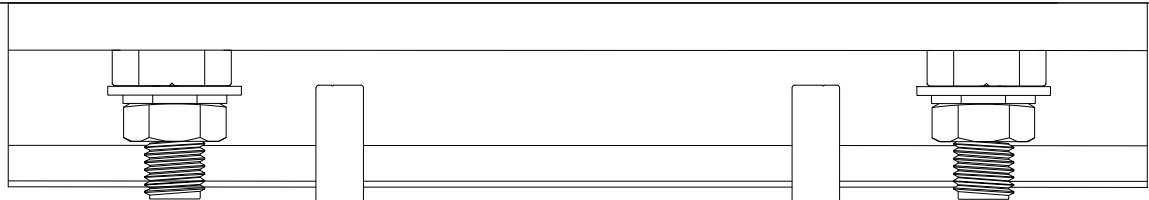
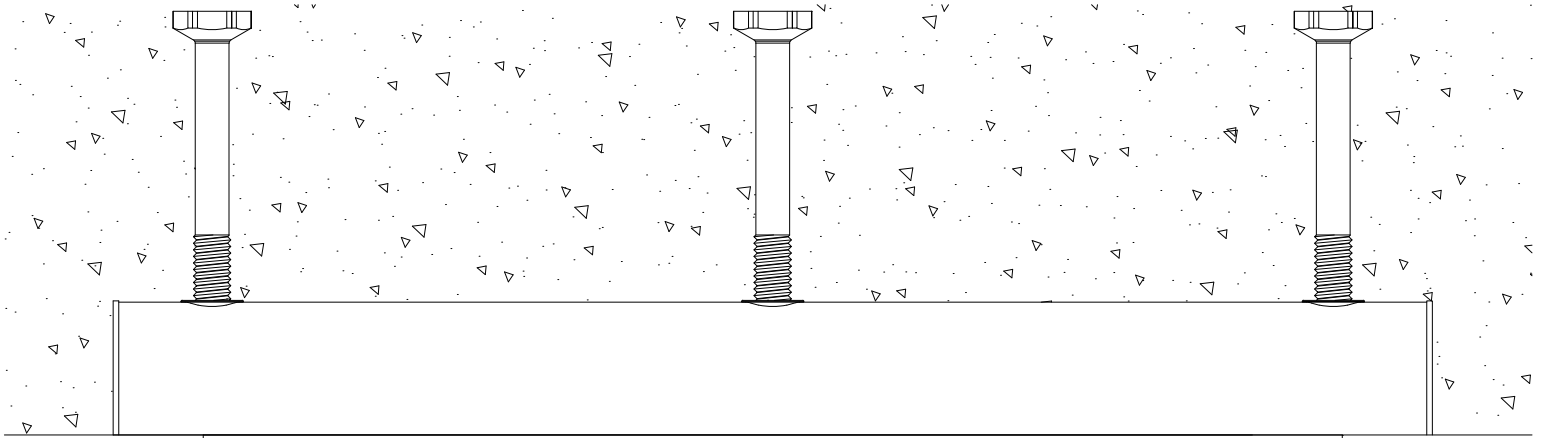




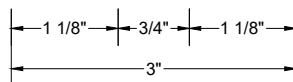
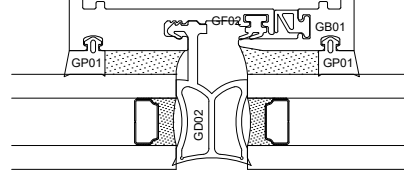
**CAPTURED
 BACK OF MULLION ANCHOR
 PLAN VIEW**

**SSG
 3-WAY ANCHOR
 FACE OF SLAB**

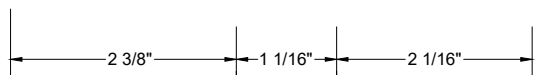
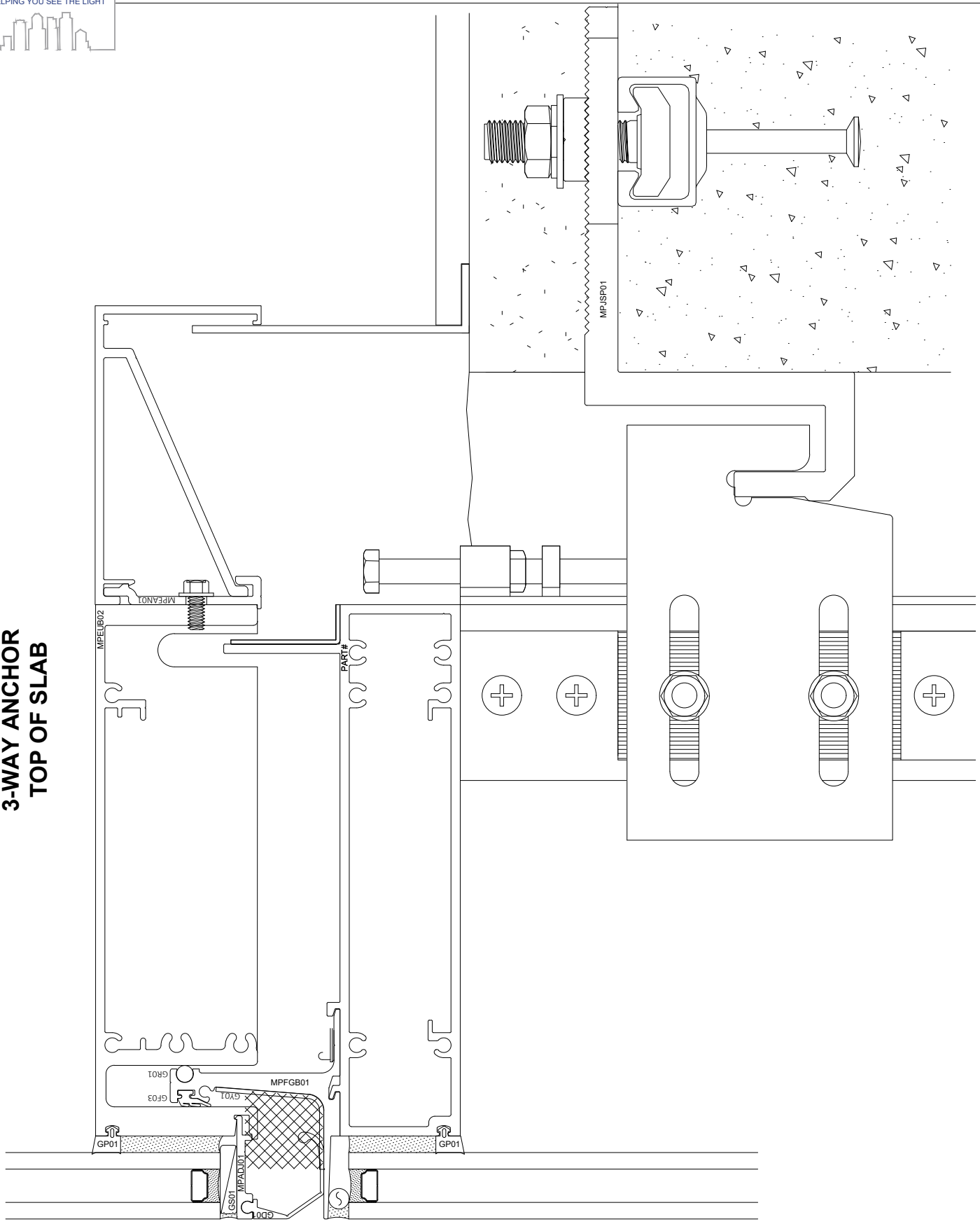


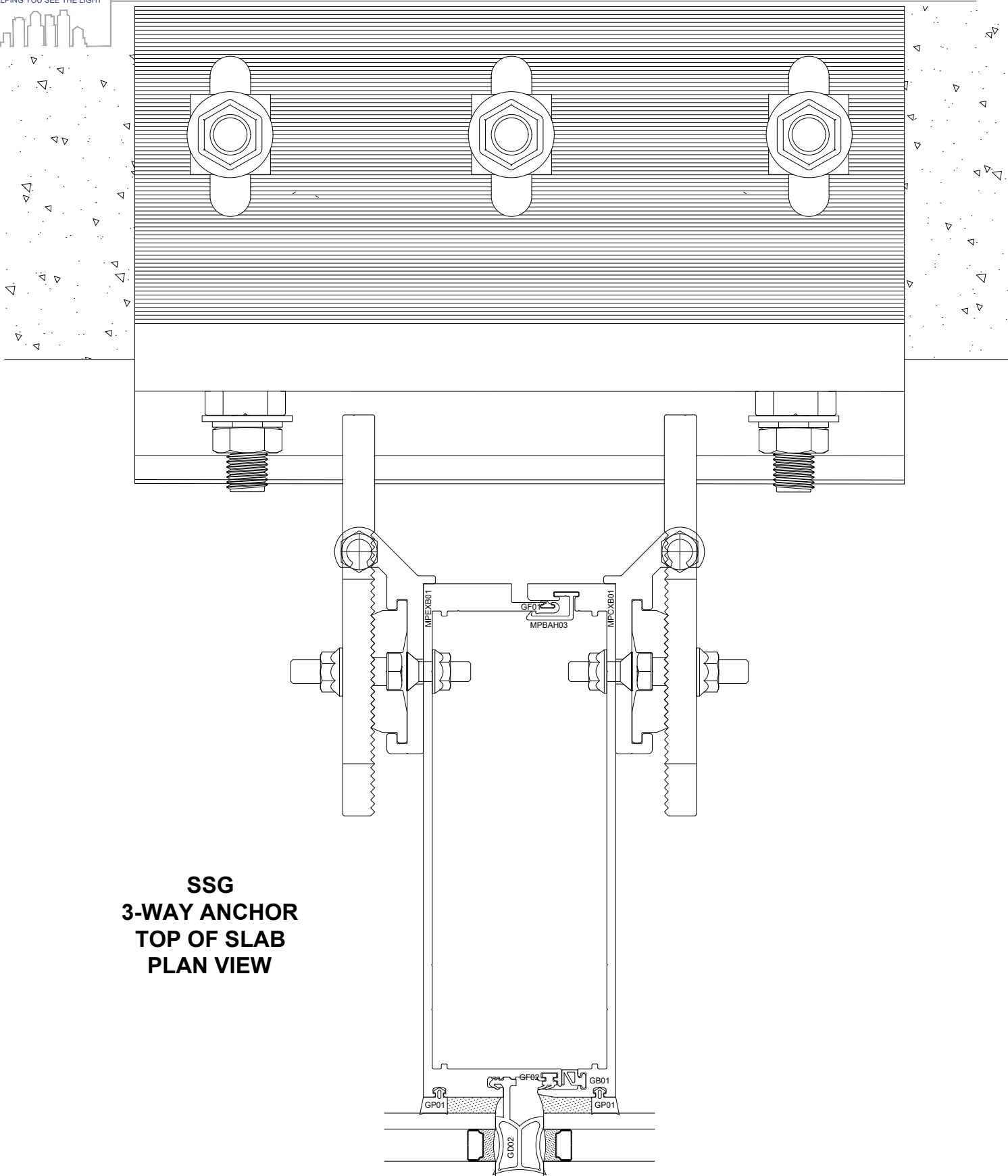


**SSG
 3-WAY ANCHOR
 PLAN VIEW**

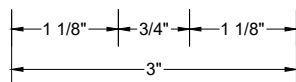


**SSG
 3-WAY ANCHOR
 TOP OF SLAB**

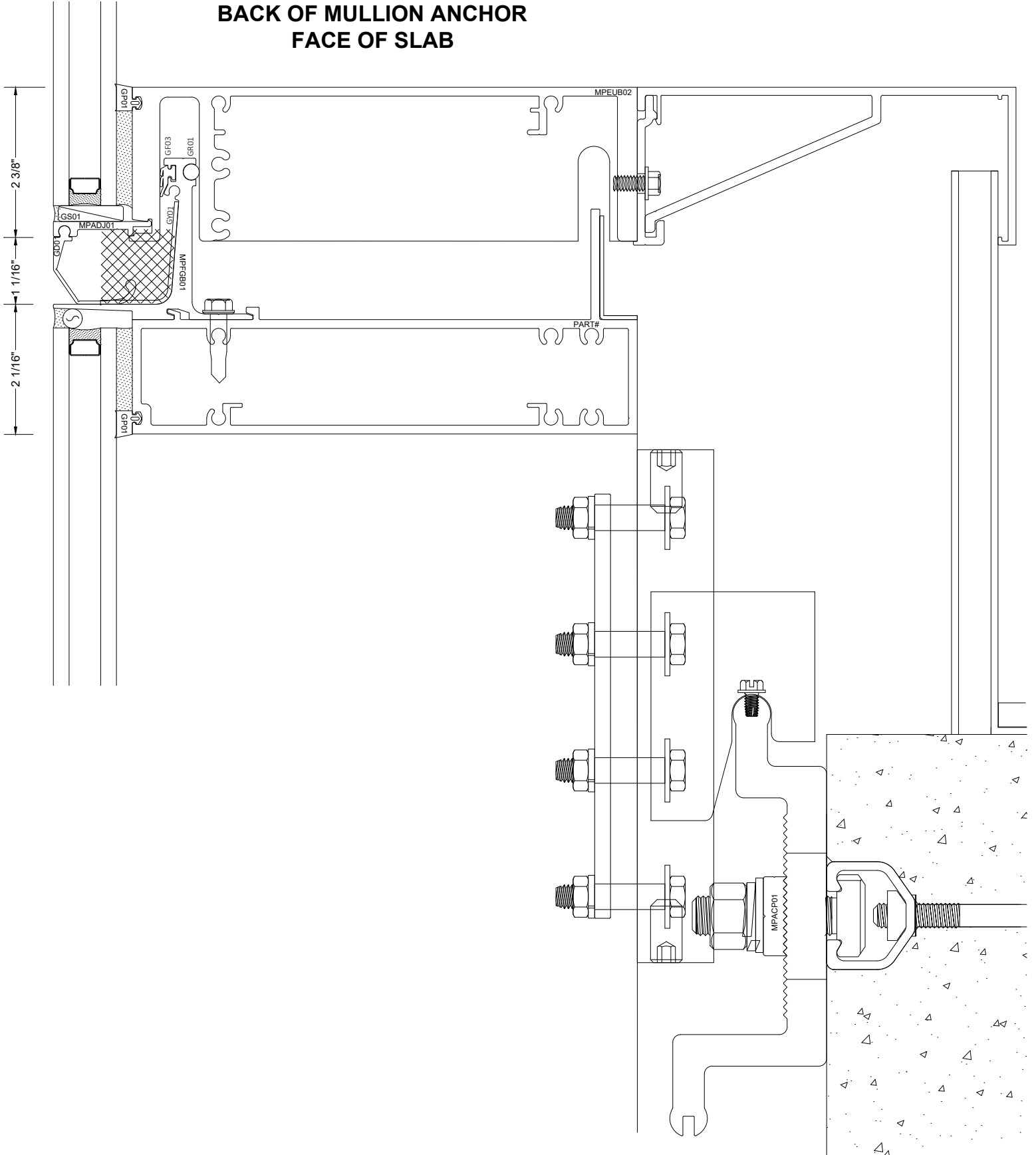


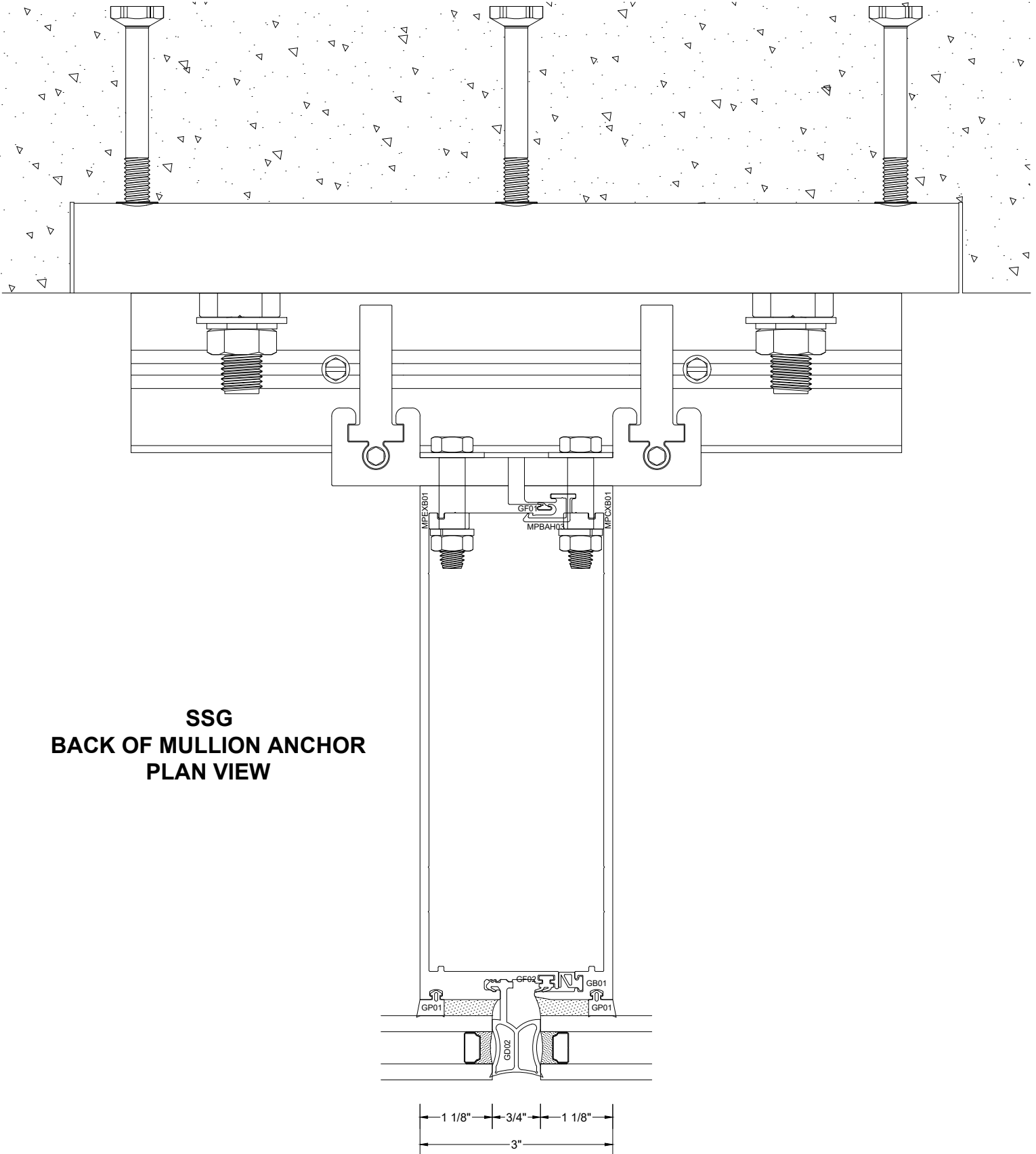


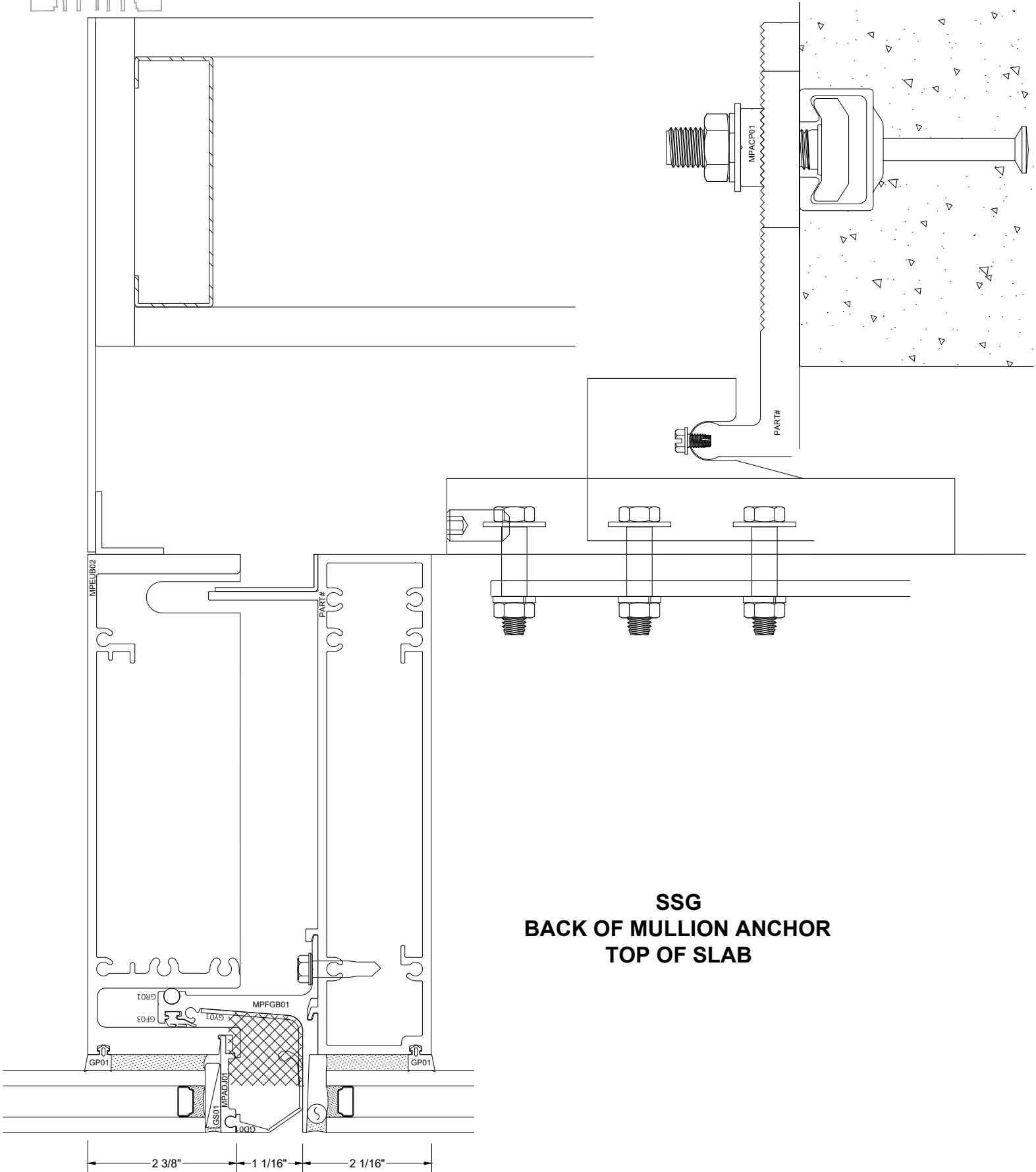
**SSG
 3-WAY ANCHOR
 TOP OF SLAB
 PLAN VIEW**

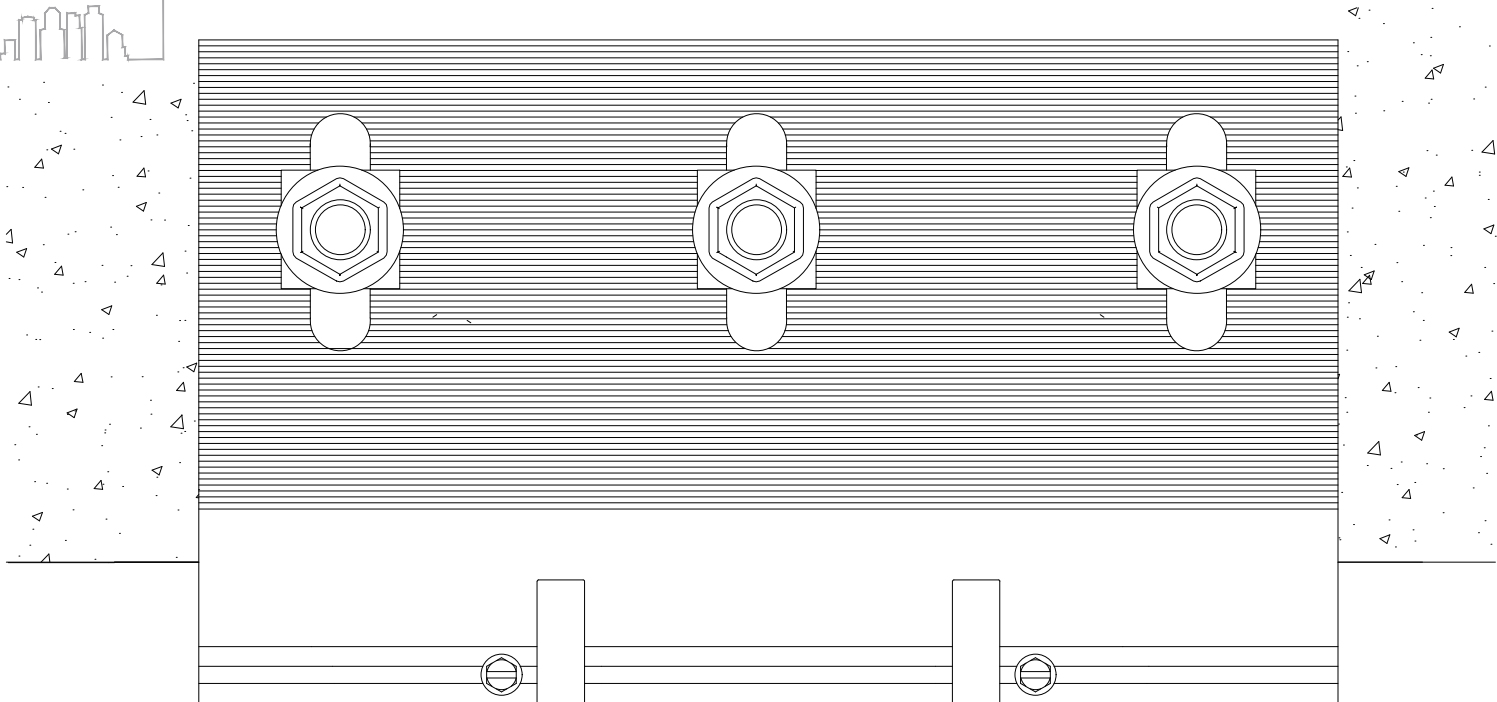


SSG
BACK OF MULLION ANCHOR
FACE OF SLAB

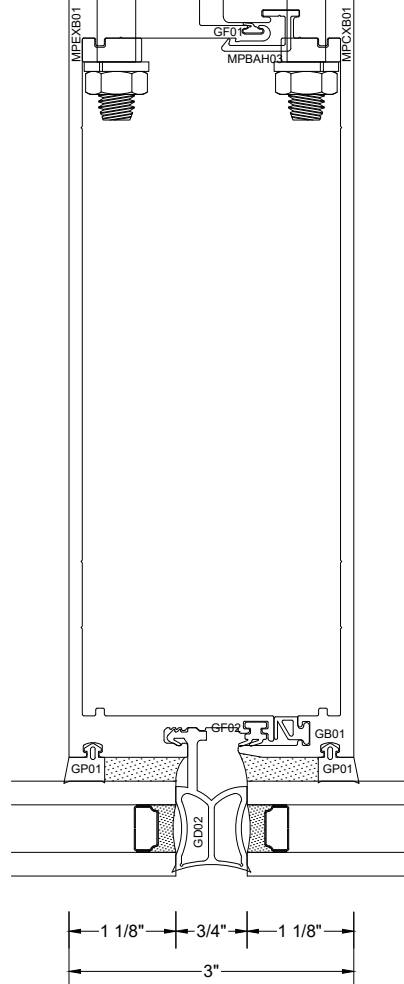






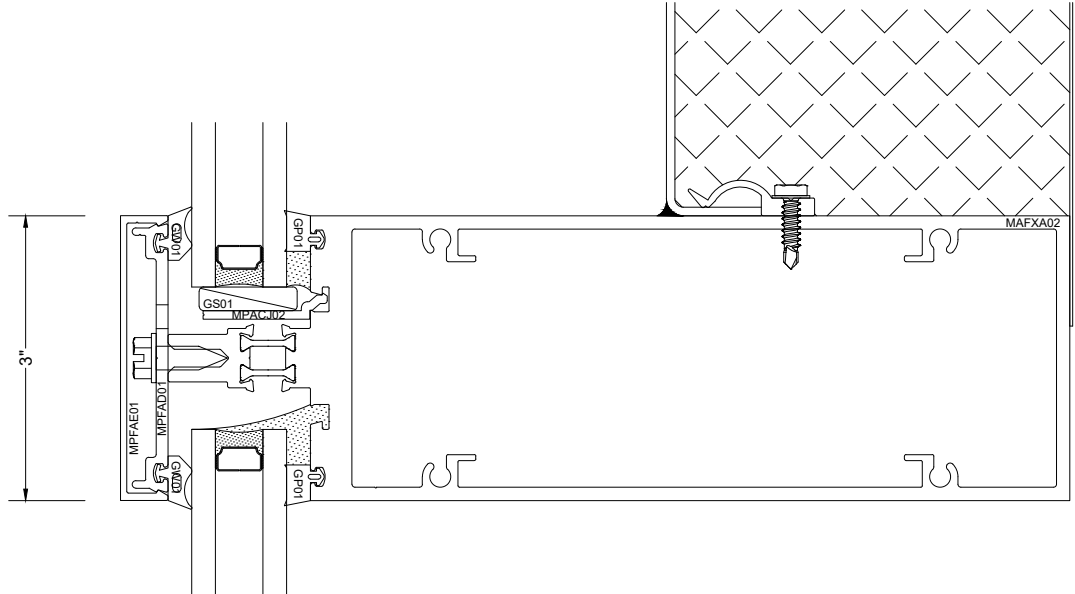


**SSG
 BACK OF MULLION ANCHOR
 PLAN VIEW**



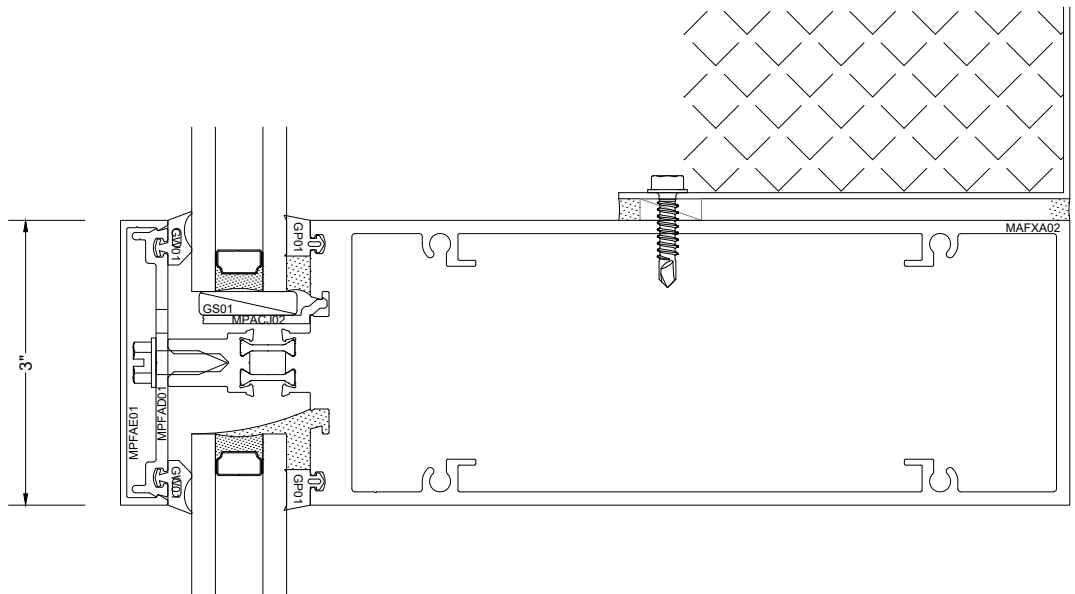
**SHADOW BOX
 AND INSULATION**

**CAPTURED
 HORIZONTAL**



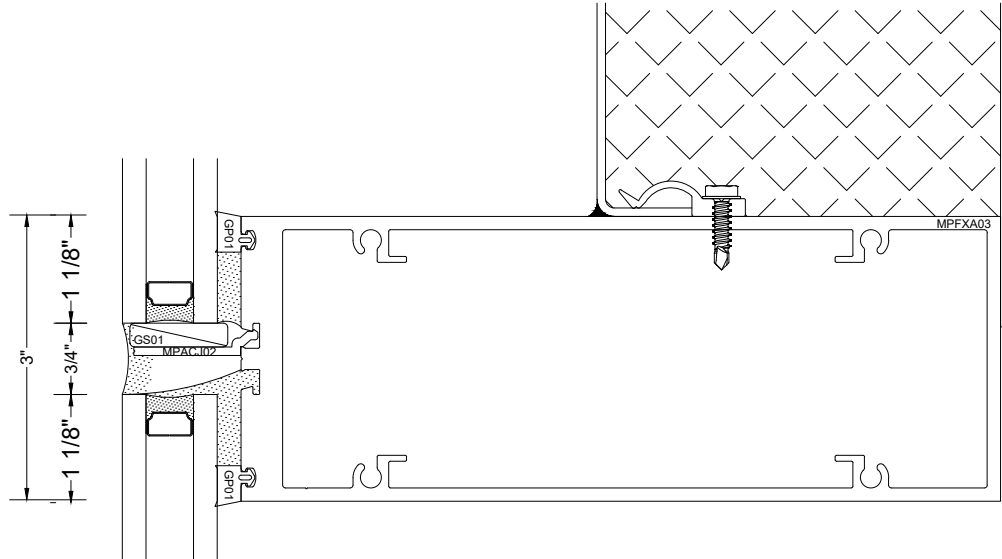
**BACKPAN
 AND INSULATION**

**CAPTURED
 HORIZONTAL**



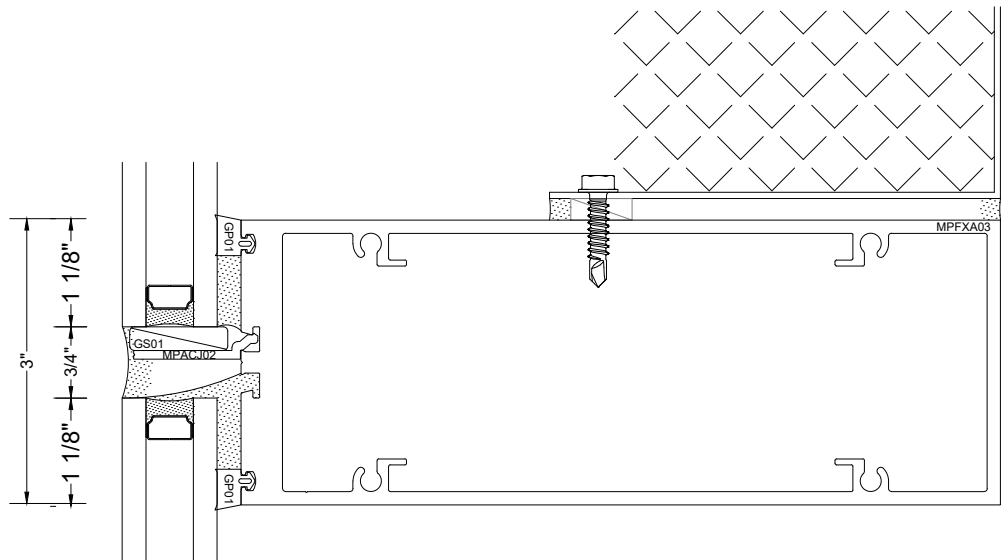
**SHADOW BOX
 AND INSULATION**

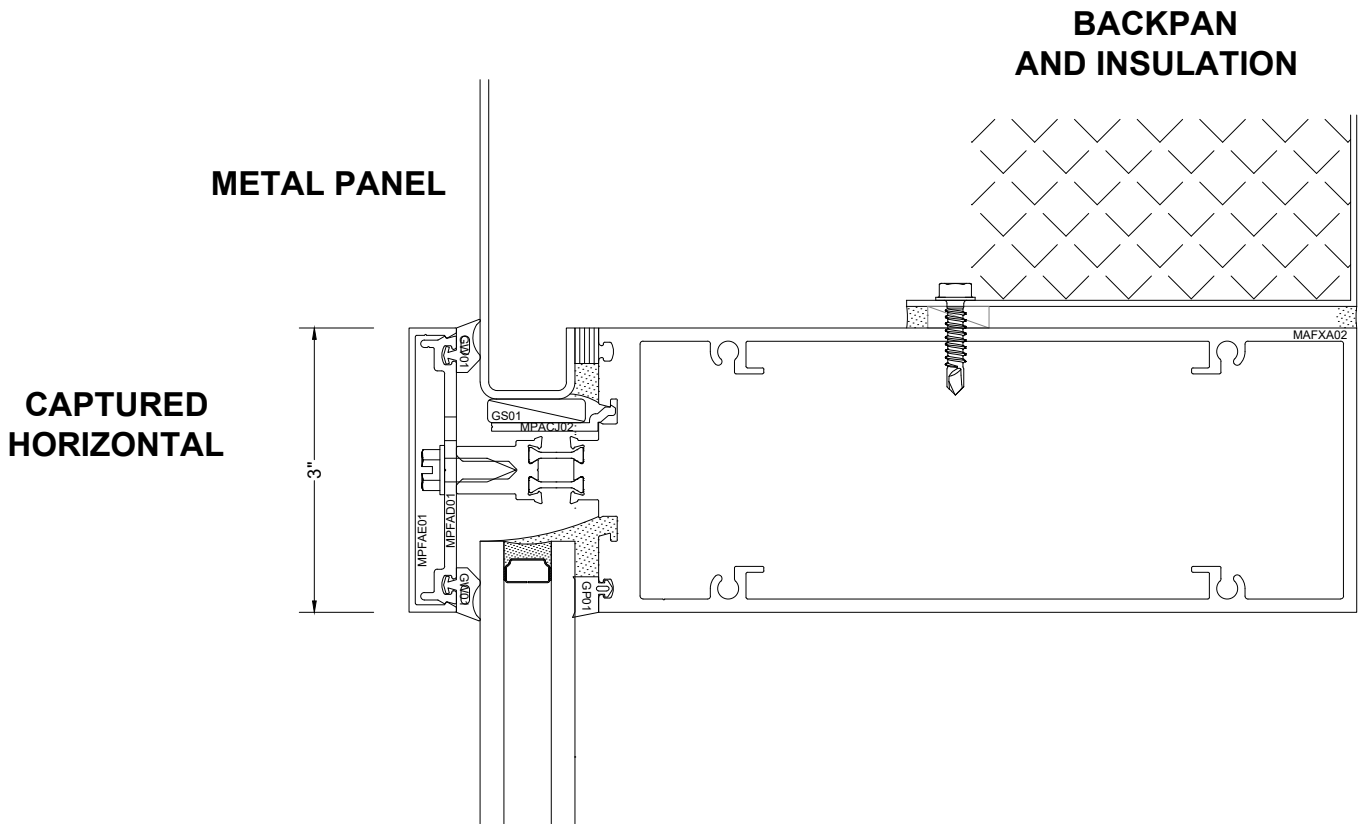
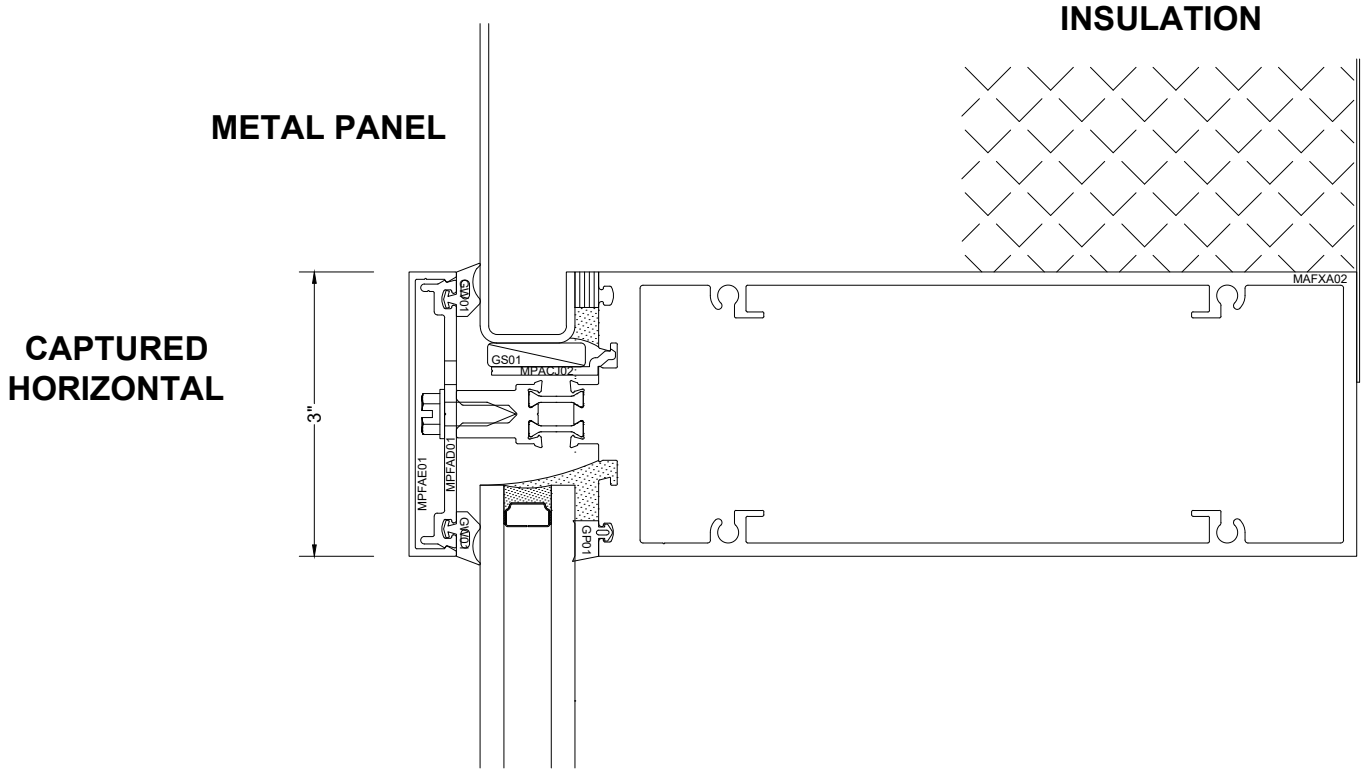
**SSG
 HORIZONTAL**

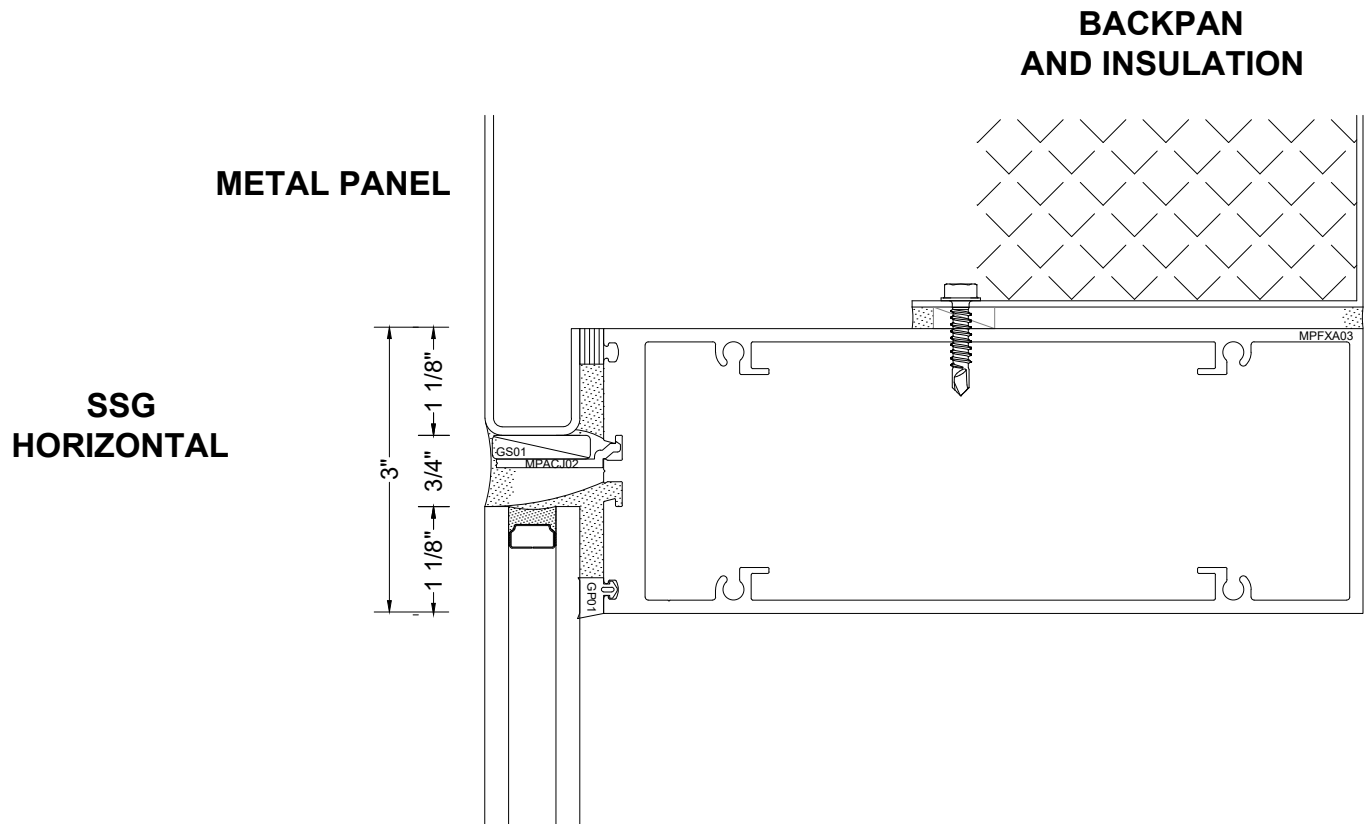
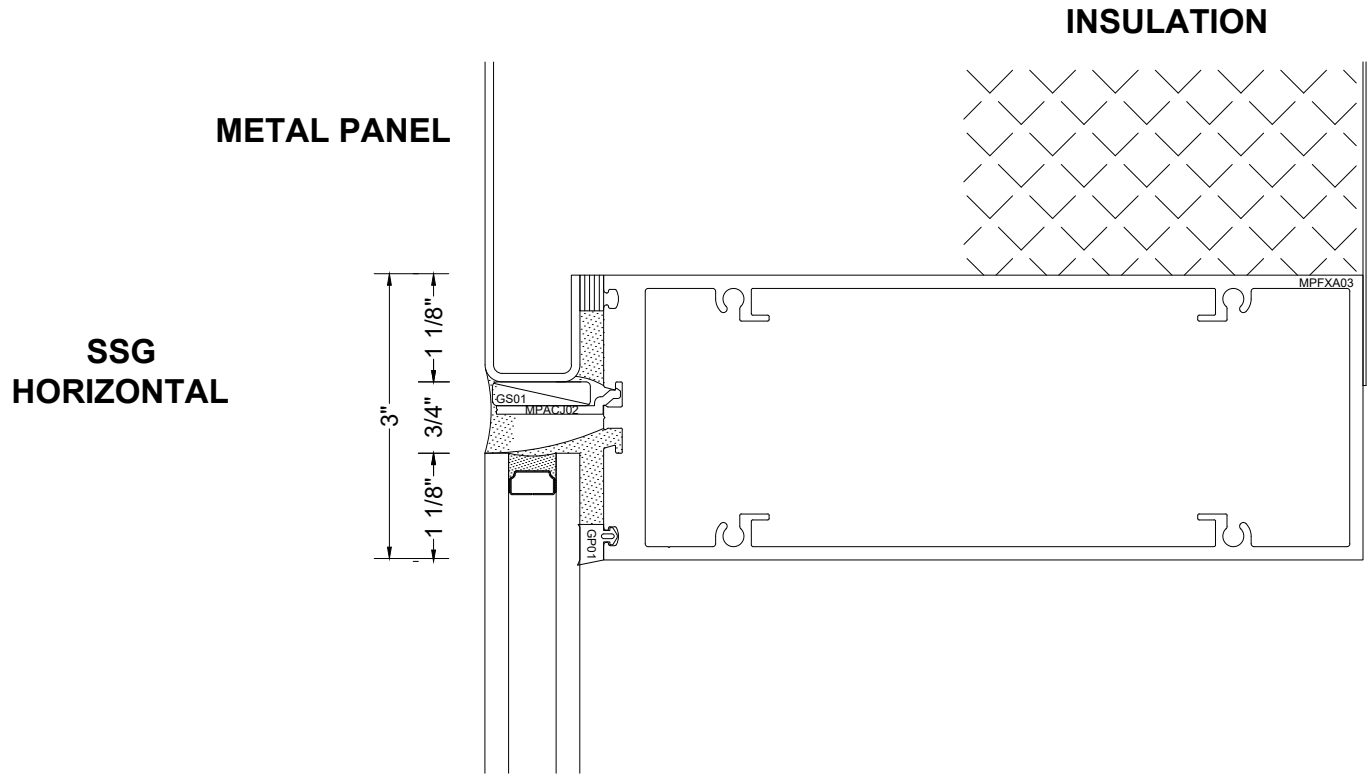


**BACKPAN
 AND INSULATION**

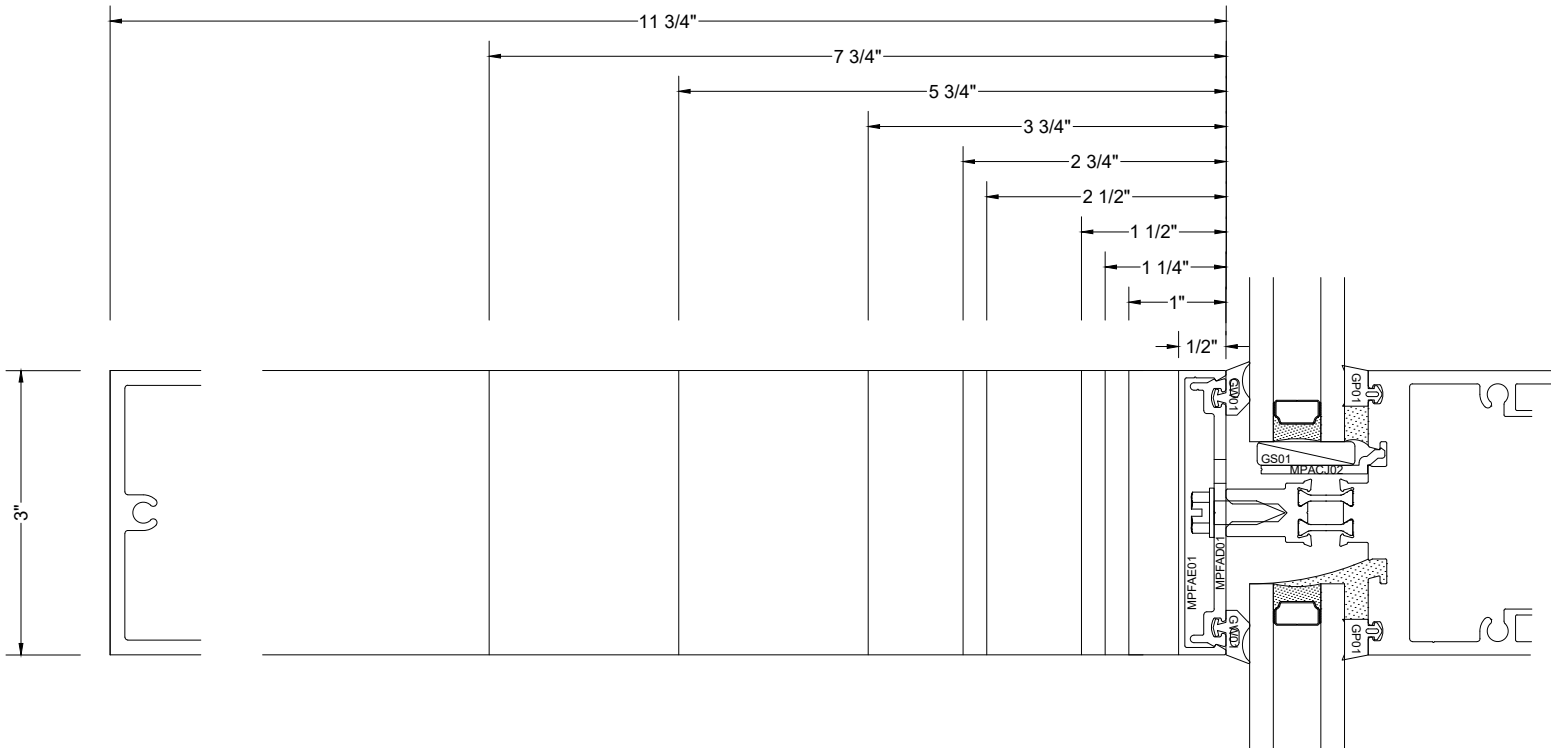
**SSG
 HORIZONTAL**



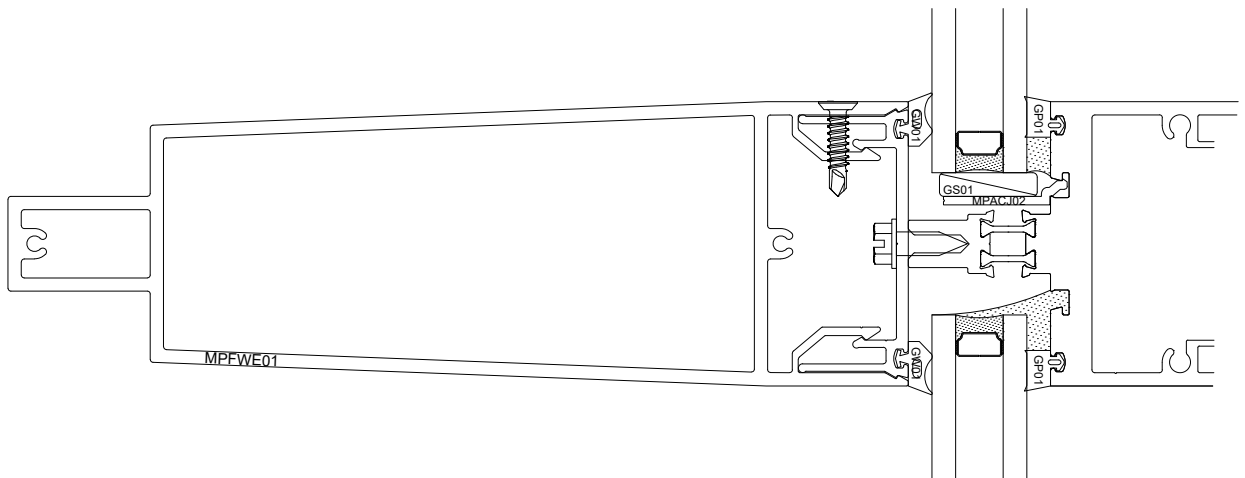




EXTENDED COVERS



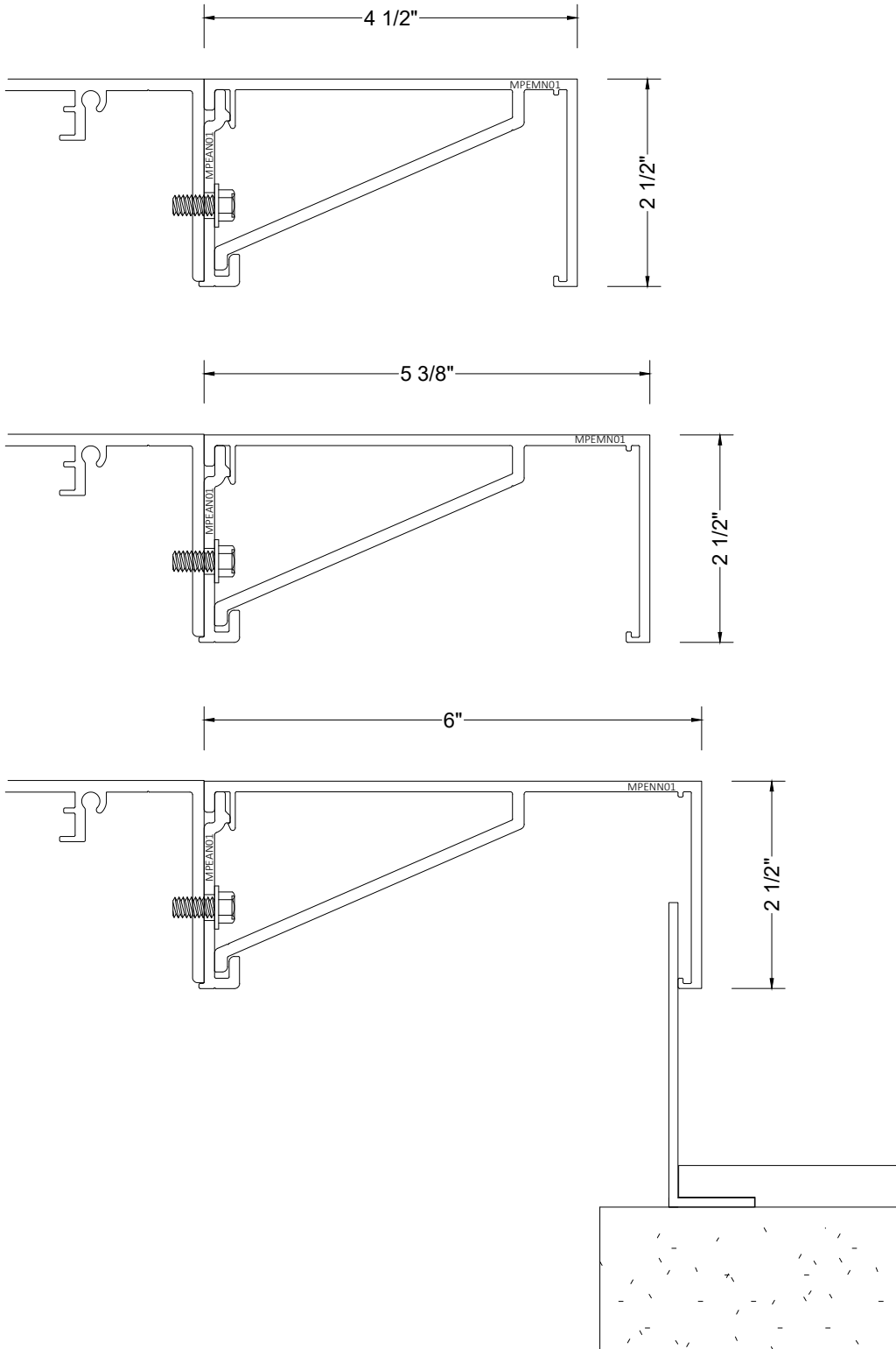
CUSTOM SHAPES



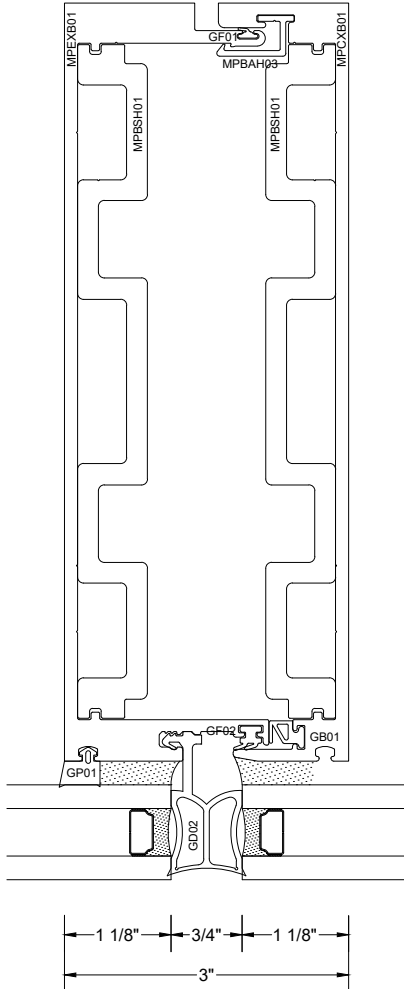
NOTE: Exterior covers extending more than 4" are secured to the pressure plate by fasteners or pins as determined by structural analysis.

Contact a JR Butler representative for custom shapes.

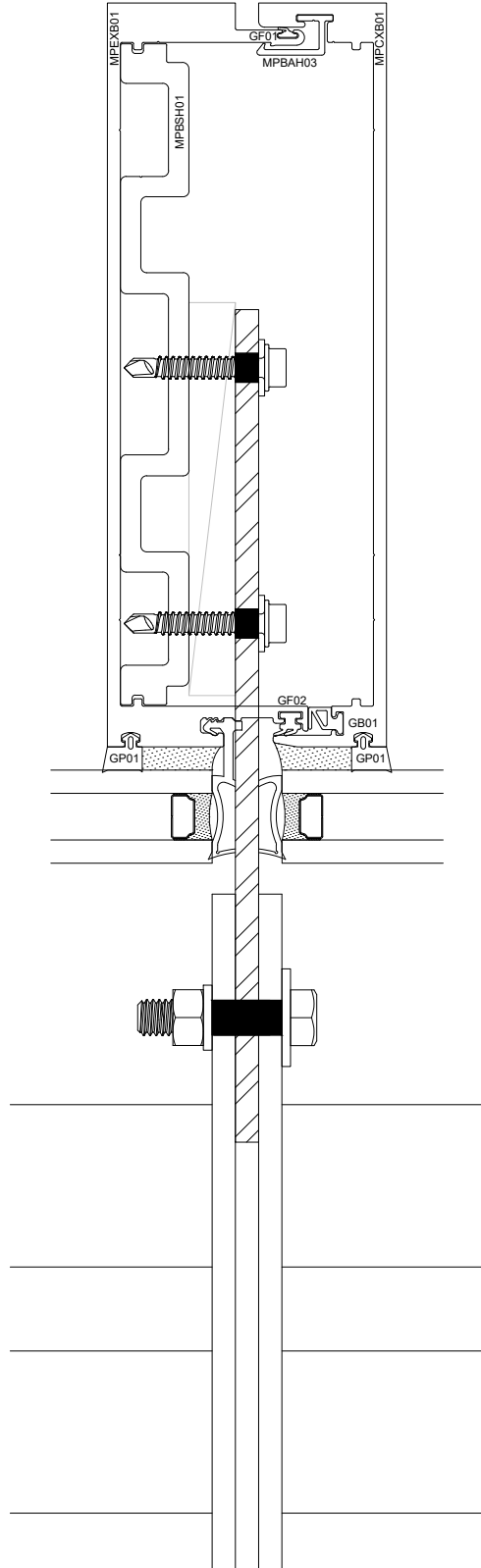
INTERIOR STOOL TRIM



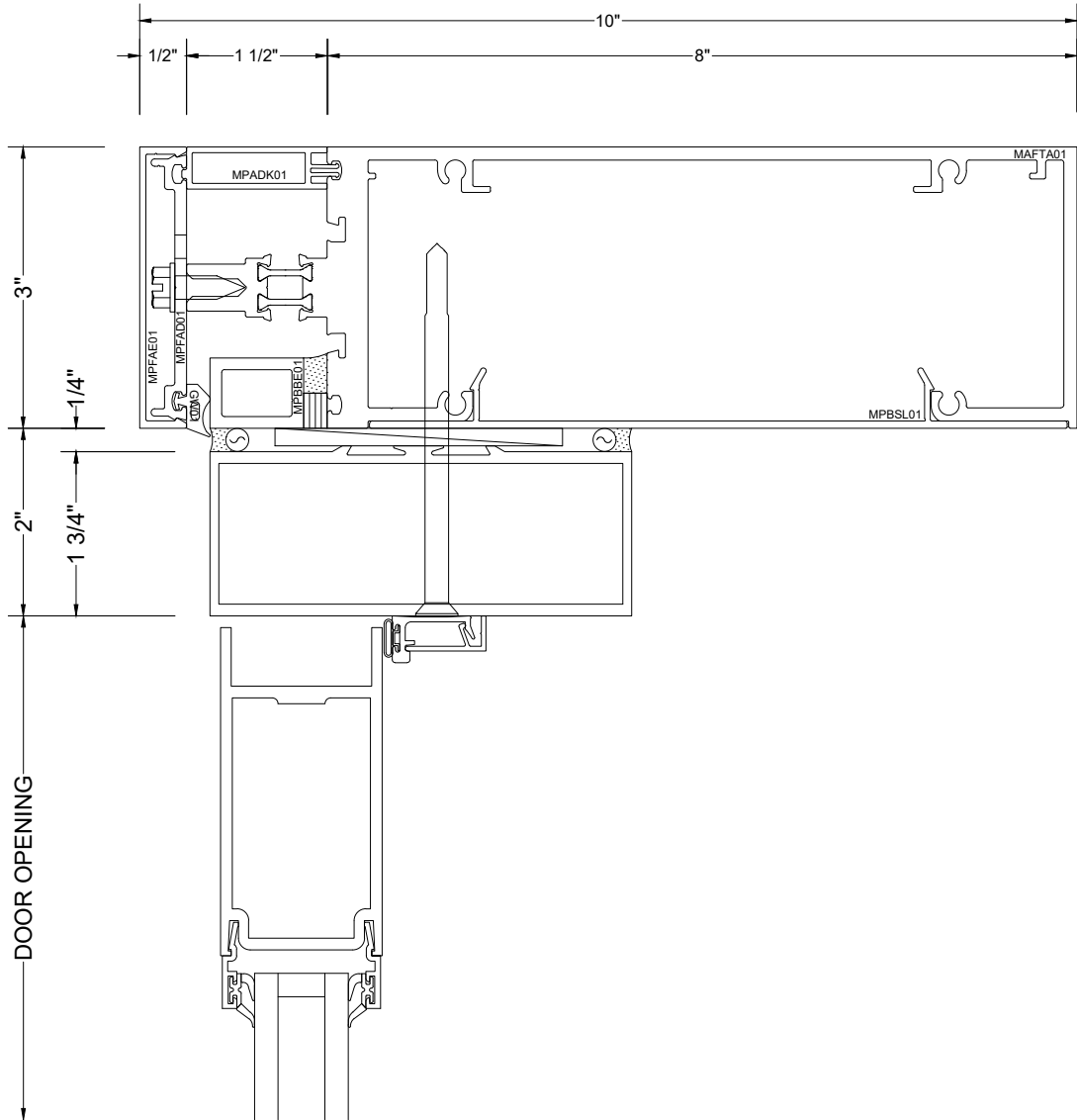
INTERNAL REINFORCEMENT



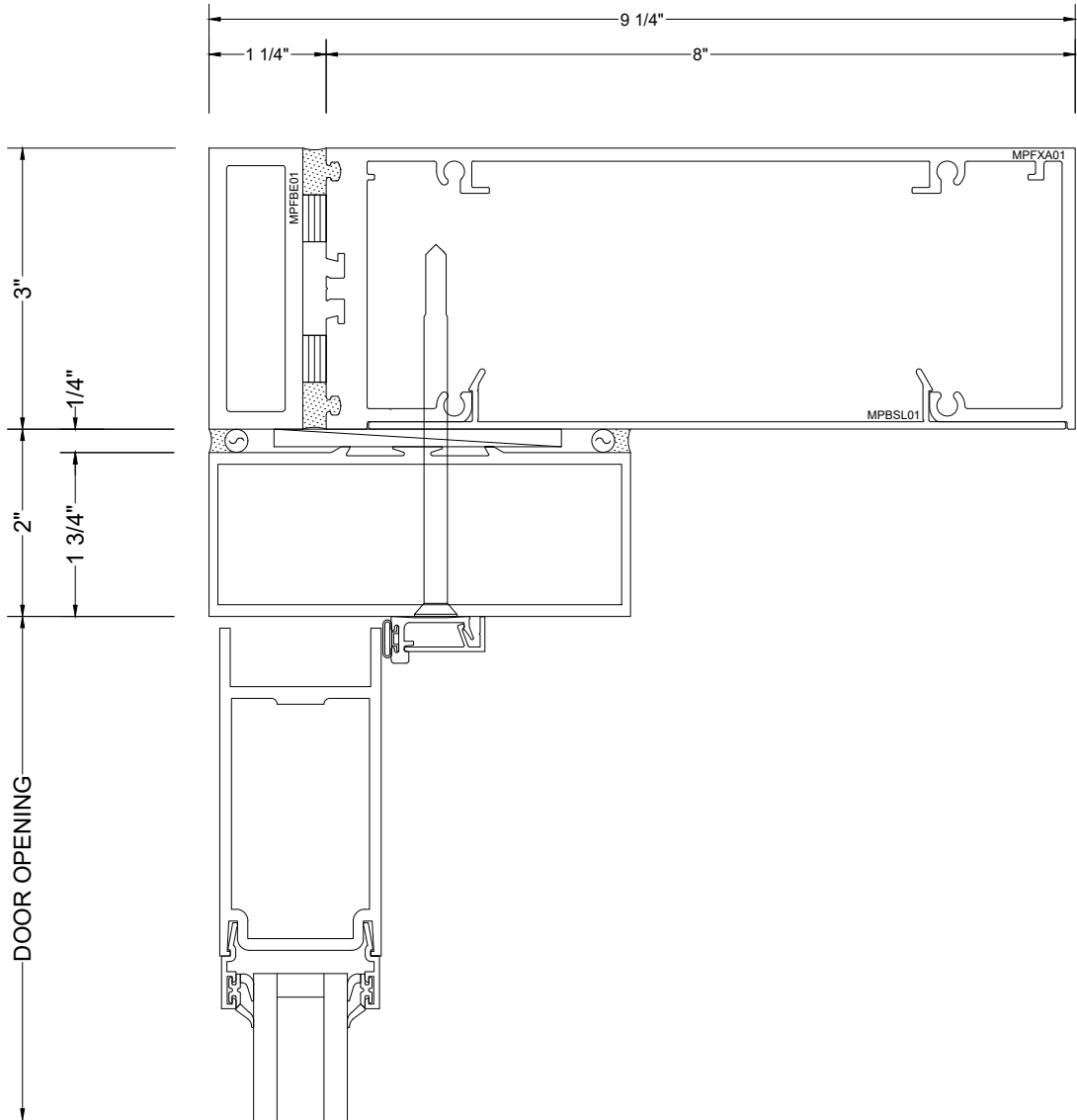
SUNSHADE ATTACHMENT



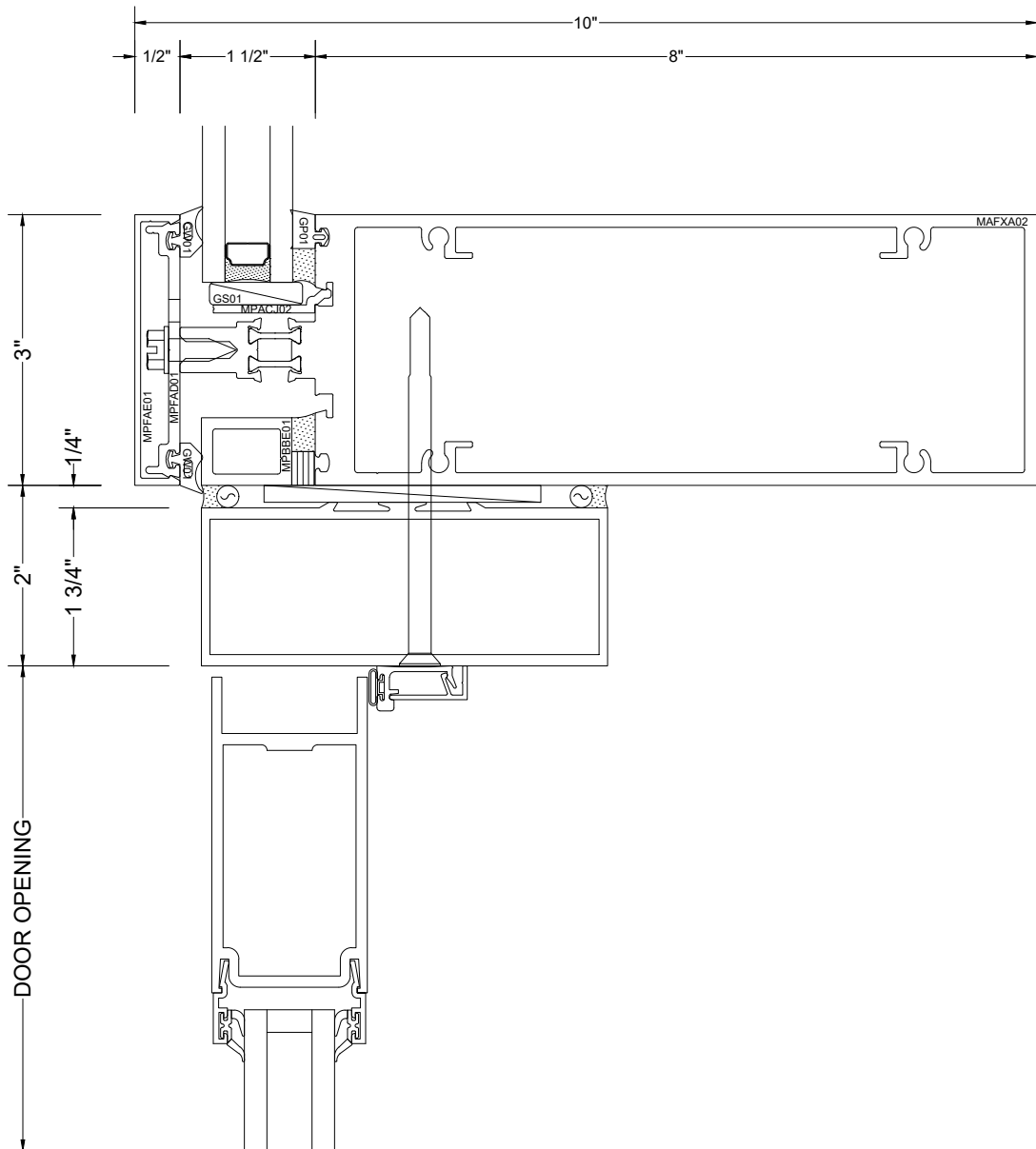
HEAD CAPTURED
 PROJECT OUT ENTRANCE



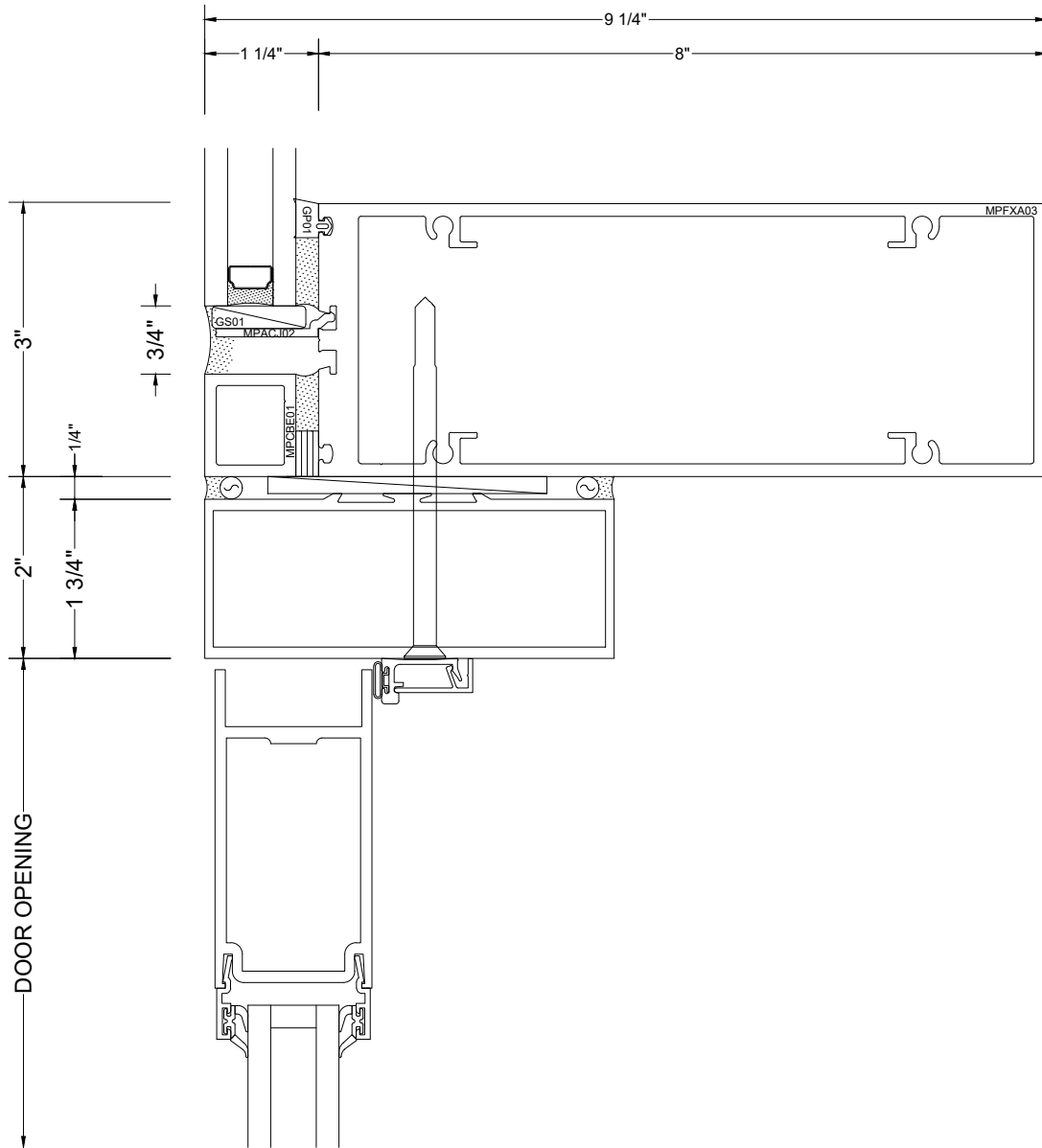
HEAD SSG
 PROJECT OUT ENTRANCE

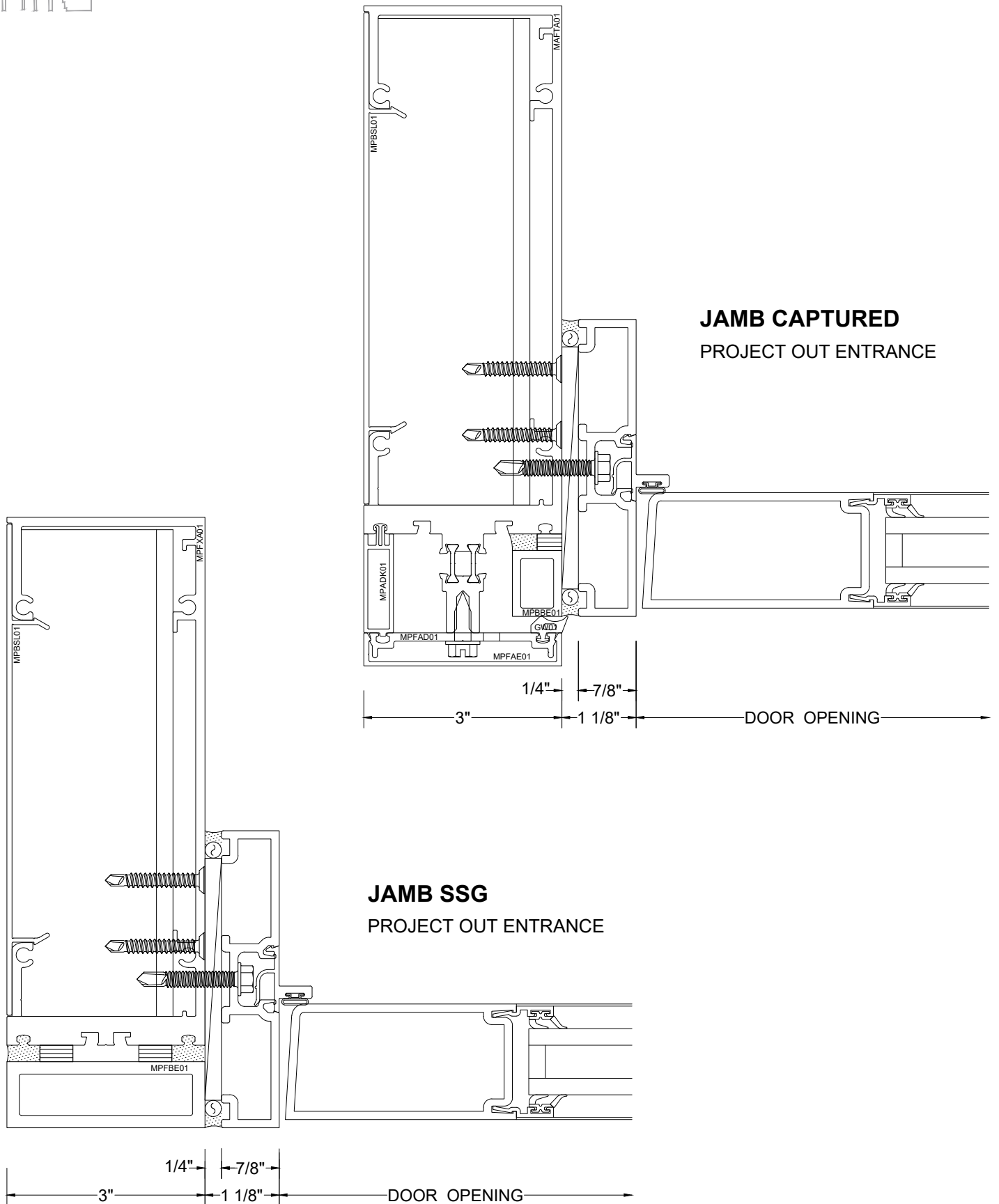


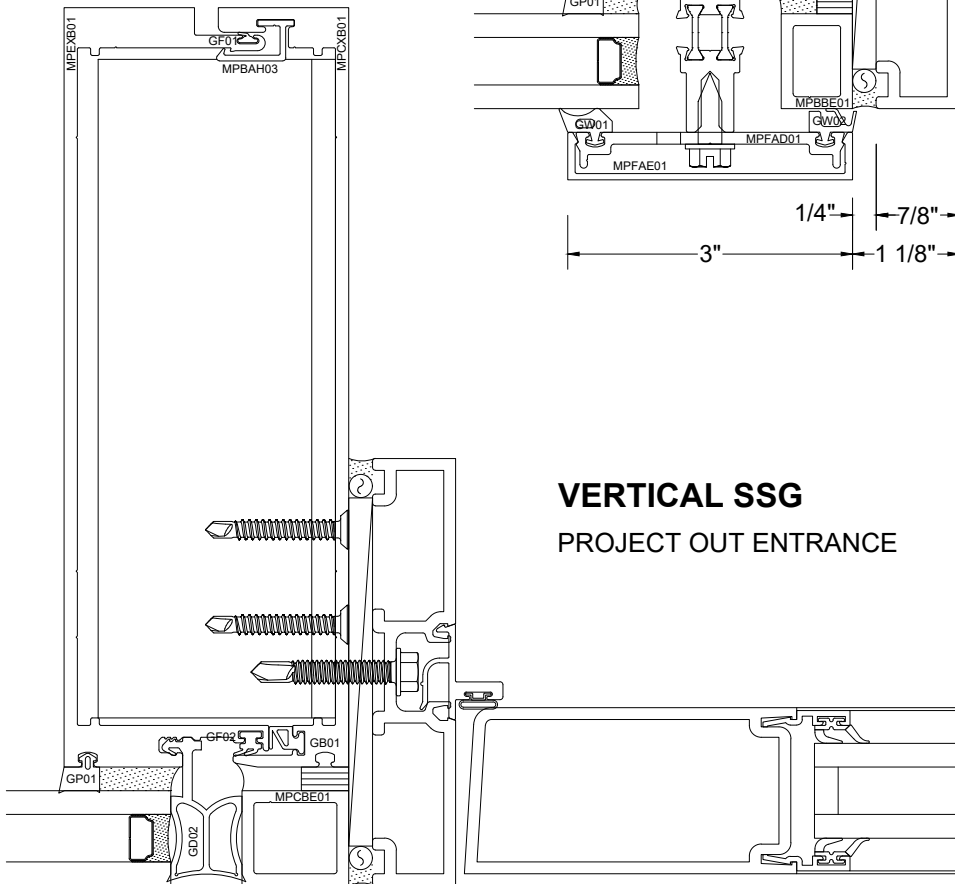
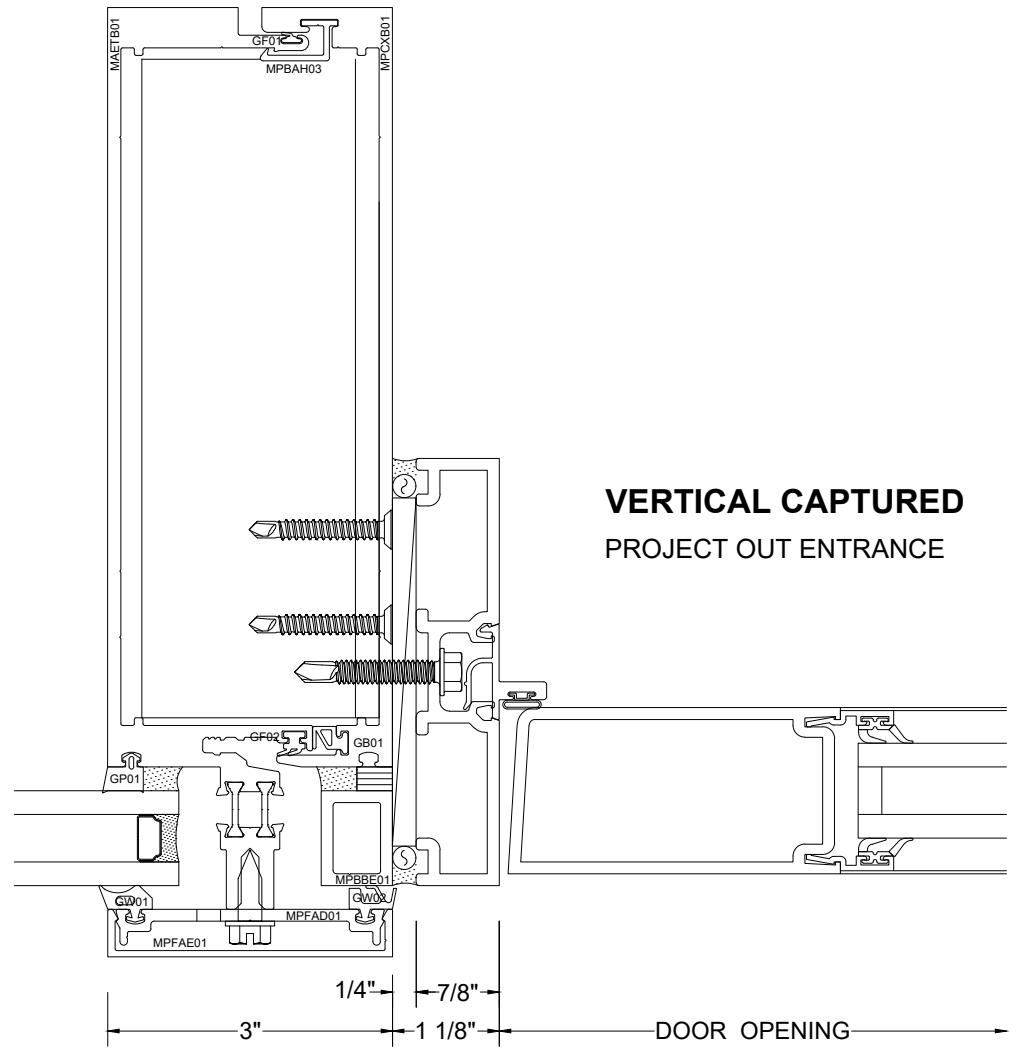
HORIZONTAL CAPTURED
 PROJECT OUT ENTRANCE



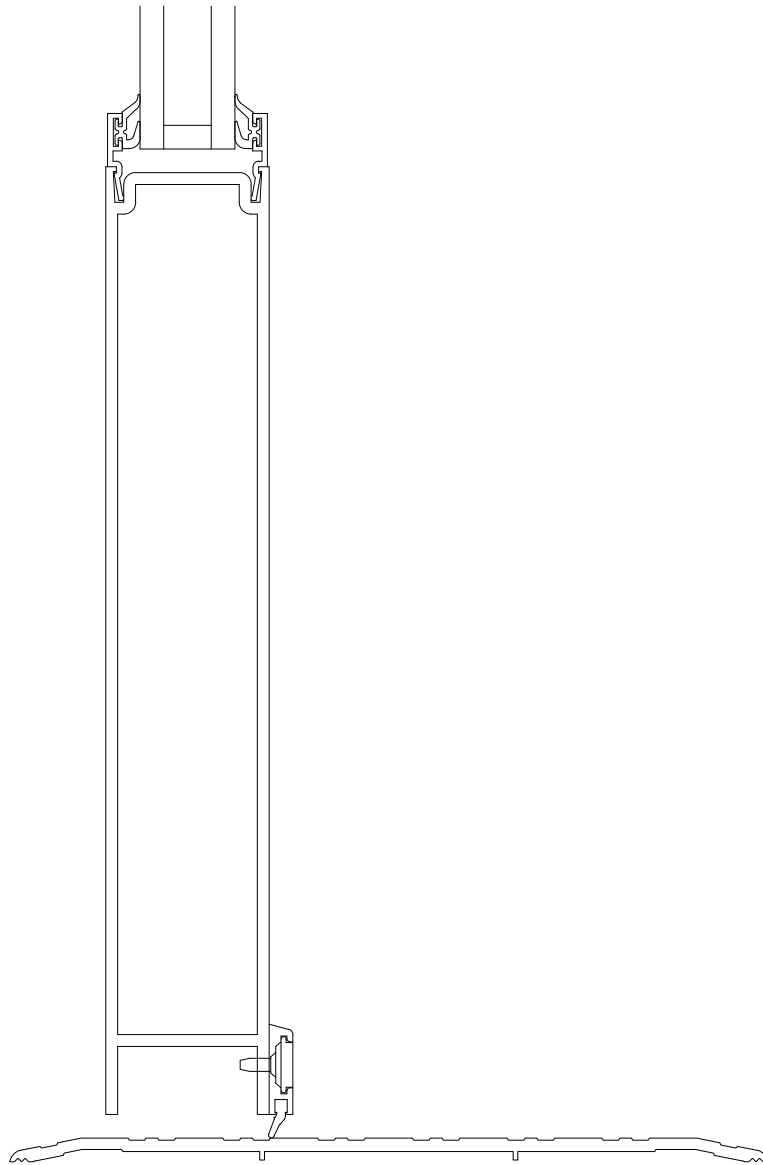
HORIZONTAL SSG
 PROJECT OUT ENTRANCE



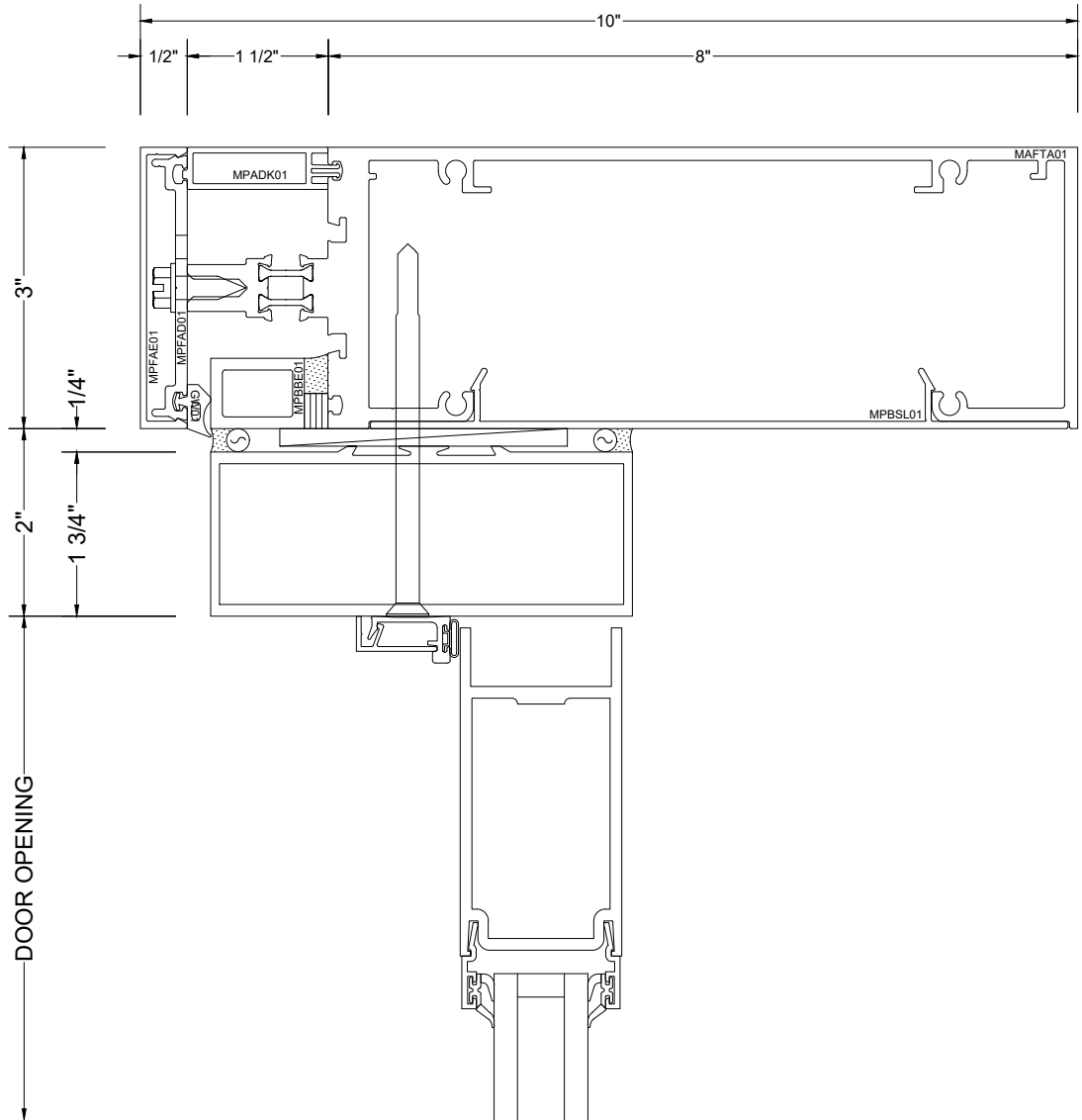




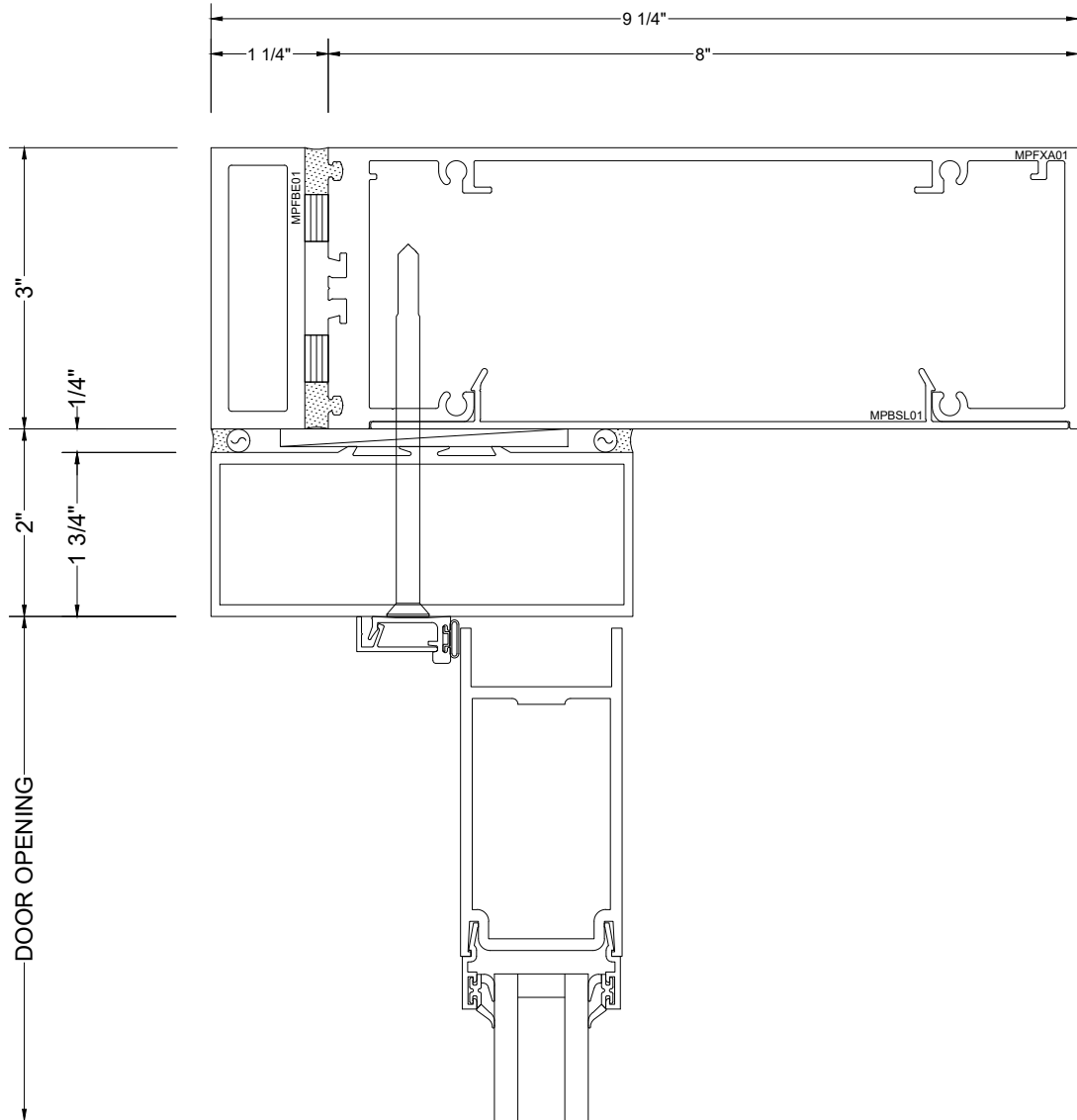
SILL
PROJECT OUT ENTRANCE



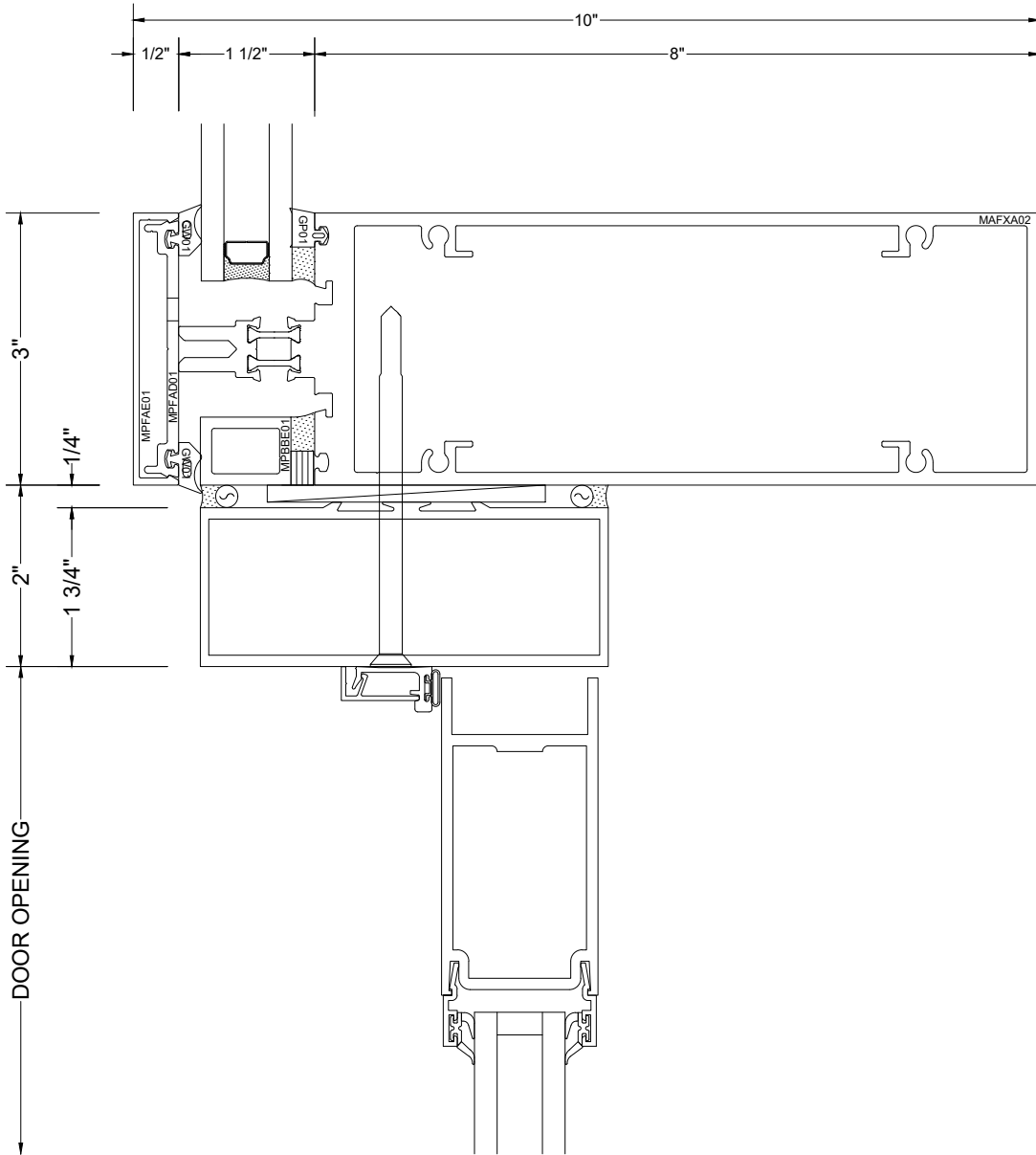
HEAD CAPTURED
 PROJECT IN ENTRANCE



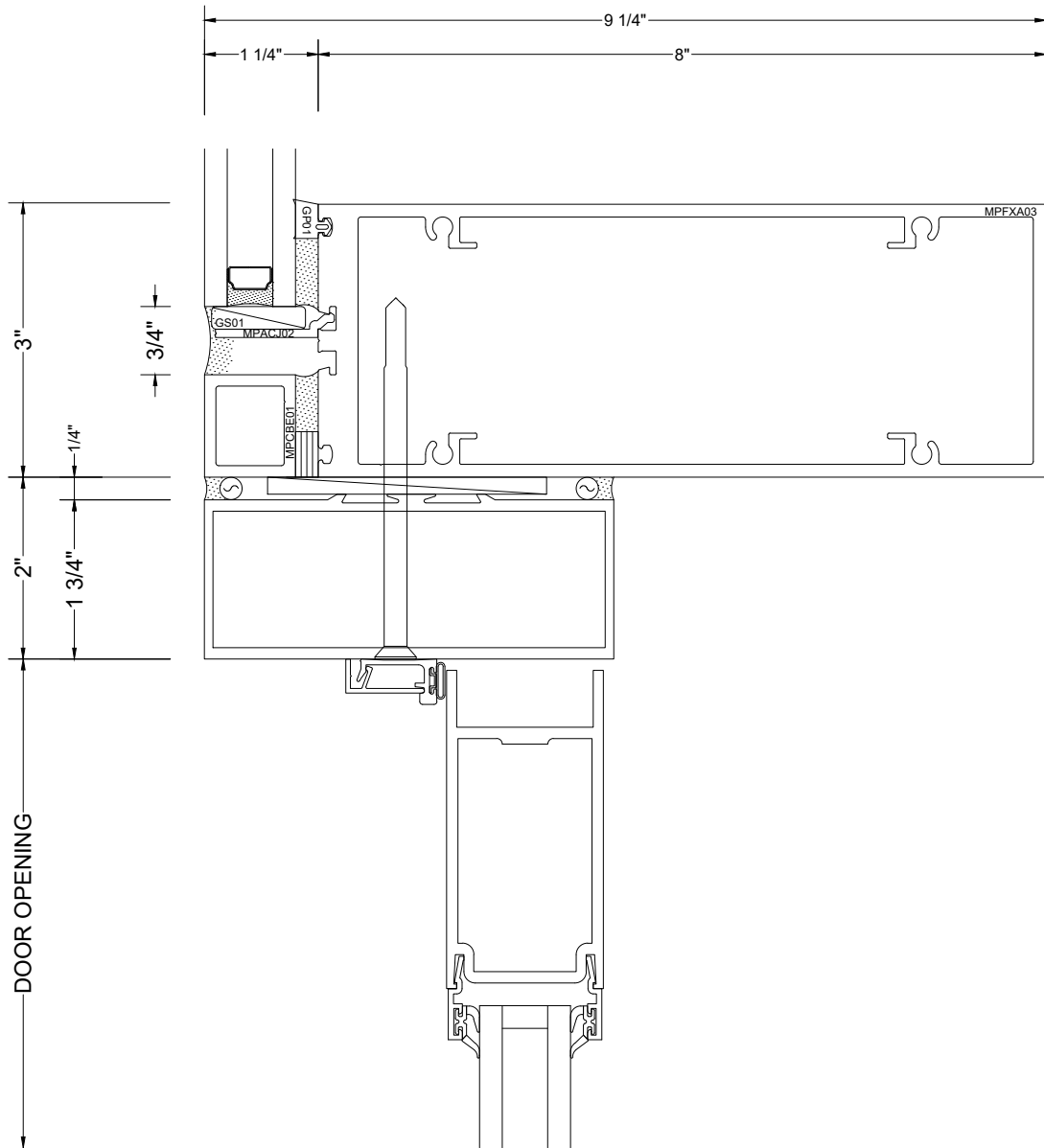
HEAD SSG
 PROJECT IN ENTRANCE

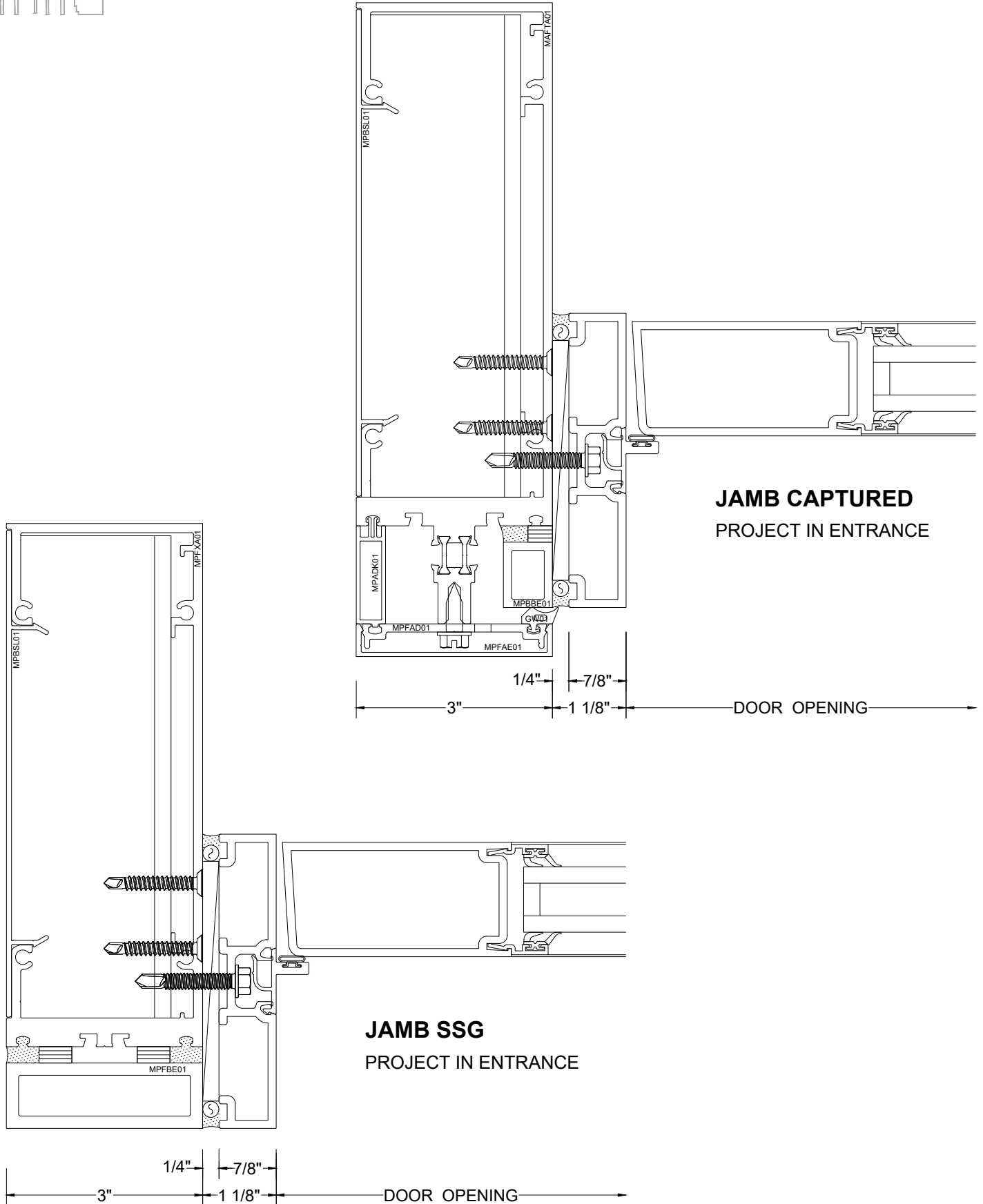


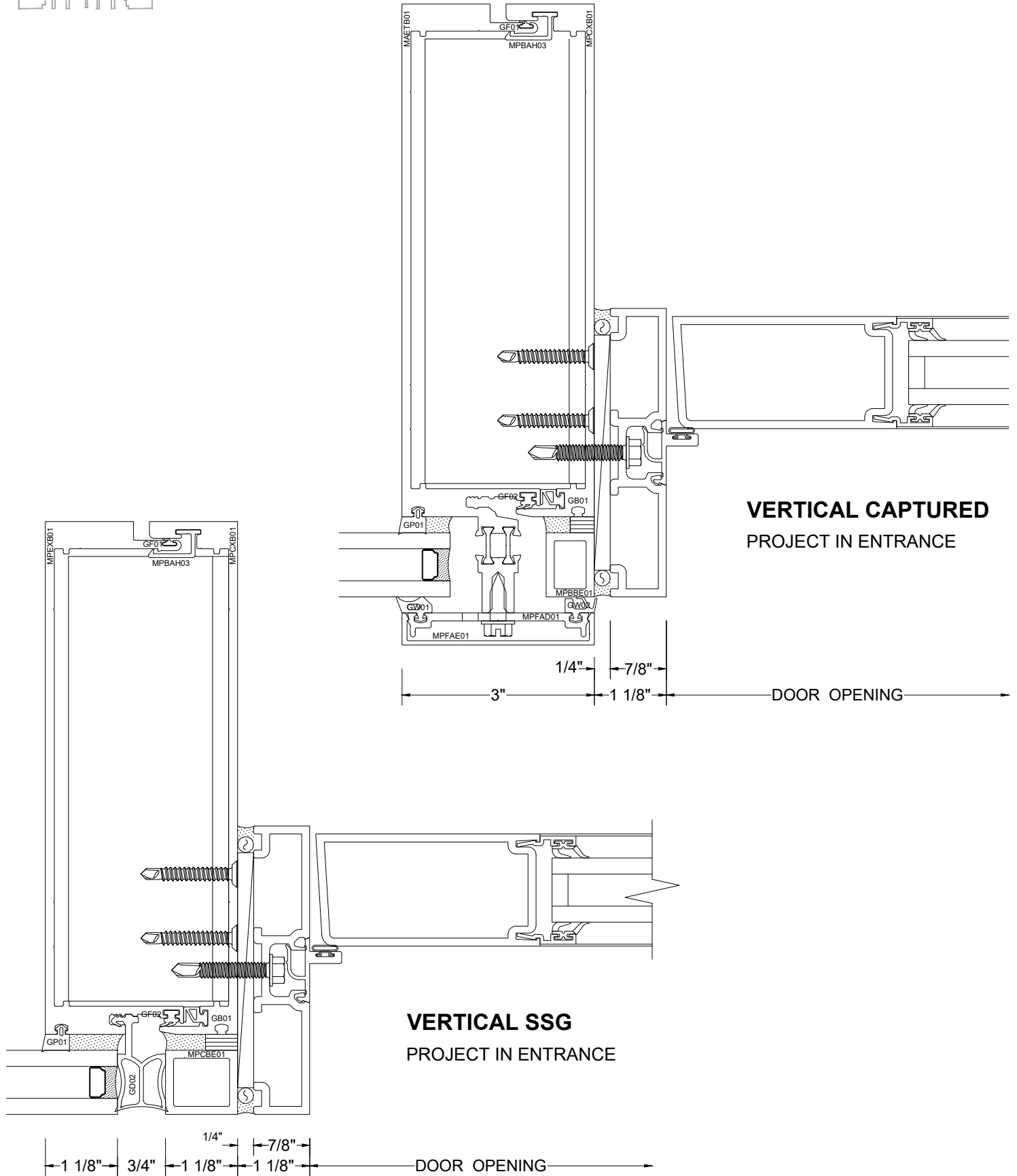
HORIZONTAL CAPTURED
 PROJECT IN ENTRANCE



HORIZONTAL SSG
 PROJECT IN ENTRANCE







SILL
PROJECT IN ENTRANCE

